

# KLB-520 B

KLB-520 B is a high bright InGaN blue LED, and has the optimized optical characteristics.

### Features

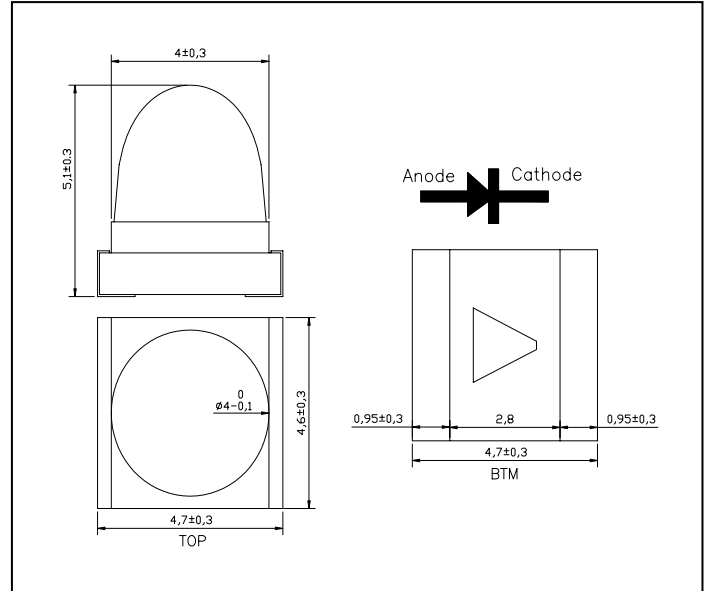
- Transparent epoxy lens
- High Optical Output

### Applications

- Display
- Indicator
- Signage
- Camera

### DIMENSIONS

Unit : [mm]



### Maximum Ratings

[ Ta=25°C ]

Parameter	Symbol	Ratings	Unit
Reverse voltage	$V_R$	5	V
Forward current	$I_F$	30	mA
Pulse forward current <sup>*1</sup>	$I_{FP}$	0.5	A
Power dissipation	$P_D$	105	mW
Operating temperature	$T_{opr.}$	-30 ~ +85	°C
Storage temperature	$T_{stg.}$	-40 ~ +100	°C
Soldering Temperature <sup>*2</sup>	$T_{sol.}$	260	°C

\*1.  $I_{FP}$  Measured under duty  $\leq 1/10$  @ 1KHz

\*2. Soldering time  $\leq 5$  Sec

Keep the distance more than 3mm from soldering foundation.

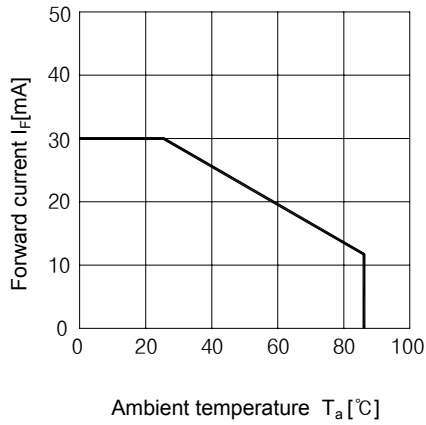
### Electro-Optical Characteristics

[ Ta=25°C ]

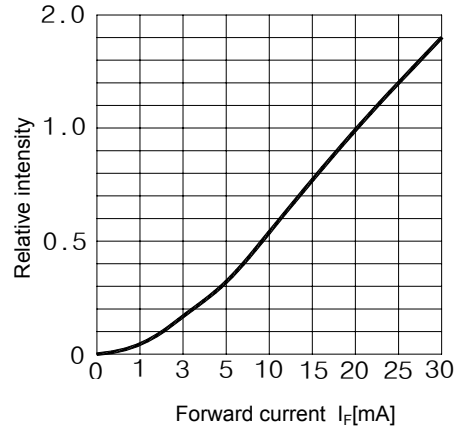
Parameter	Symbol	Conditions	Min	Typ	Max	Unit
Forward voltage	$V_F$	$I_F = 20$ mA	-	3.2	3.5	V
Reverse current	$I_R$	$V_R = 5$ V	-	-	50	uA
Luminous Intensity	$I_v$	$I_F = 20$ mA	3	5	-	cd
Peak emission wavelength	$\lambda_p$	$I_F = 20$ mA	-	455	-	nm
Doninant Wave Length	$\lambda_d$	$I_F = 20$ mA	450	-	460	nm
Spectral half bandwidth	$\Delta\lambda$	$I_F = 20$ mA	-	15	-	nm
Half angle	$2\Delta\theta_{1/2}$	$I_F = 20$ mA	-	8	-	deg.

# KLB-520 B

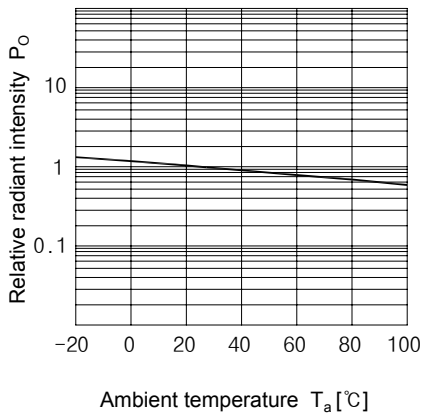
**Forward current vs. Ambient temperature**



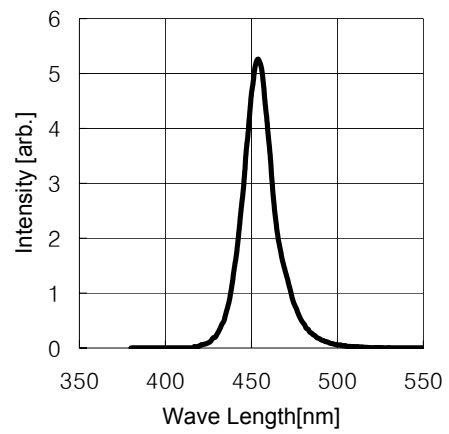
**Radiant Intensity vs. Forward current**



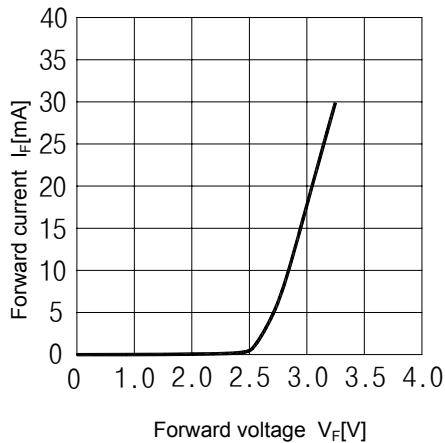
**Relative radiant intensity vs. Ambient temperature**



**Relative intensity vs. Wavelength**



**Forward current vs. Forward voltage**



**Radiant Pattern**

