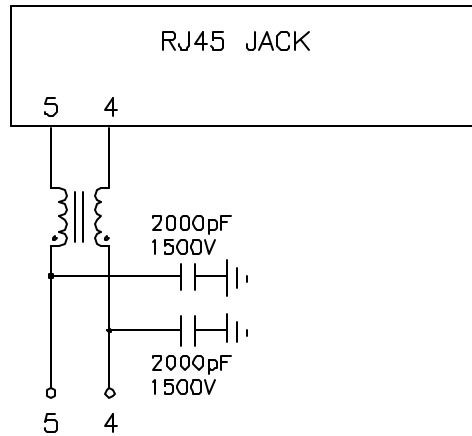


1. Schematic:



2. Electrical Specifications: @25°C

Isolation: 500 Vrms

Turns Ratio: 1:1±3%

OCL: 4mH Typical @10KHz 10mV (EACH WINDING)

DC Resistance: 0.500 Ohms Maximum (EACH WINDING)

Common Mode Attenuation: @1.0MHz 50dB Typ

@5.0MHz 55dB Typ

@20MHz 65dB Typ

@70MHz 40dB Typ

@200MHz 35dB Typ

@500MHz 20dB Typ

Rated Current: 280mA Continuous

Notes:

1. Solderability: Leads shall meet MIL-STD-202G, Method 20BH for solderability.
2. Flammability: UL94V-0
3. ASTM oxygen index: > 28%
4. Insulation System: Class F 155°C. UL file E151556
5. Operating Temperature Range: All listed parameters are to be within tolerance from -40°C to +85°C
6. Storage Temperature Range: -55°C to +125°C
7. Aqueous wash compatible
8. Electrical and mechanical specifications 100% tested
9. RoHS Compliant Component

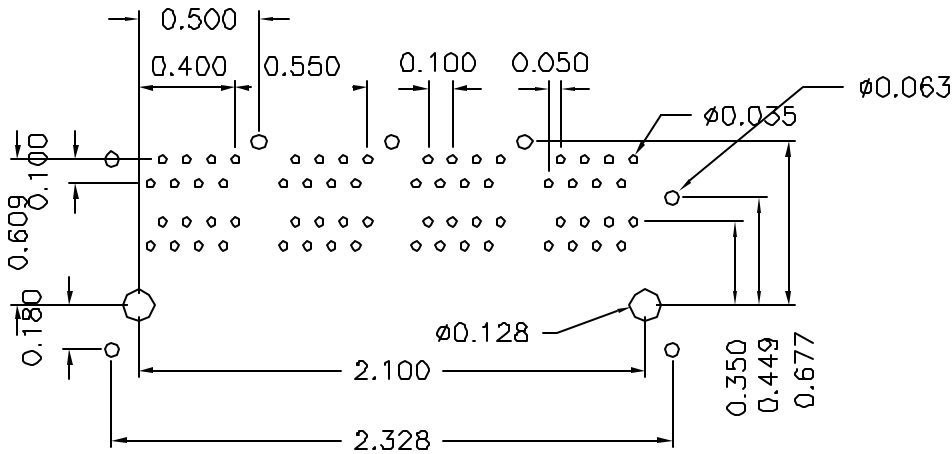
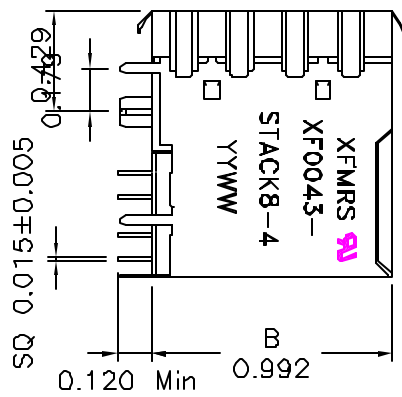
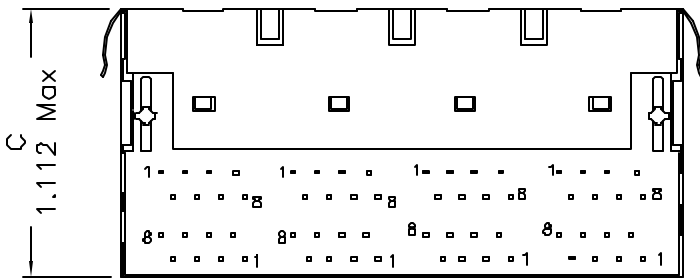
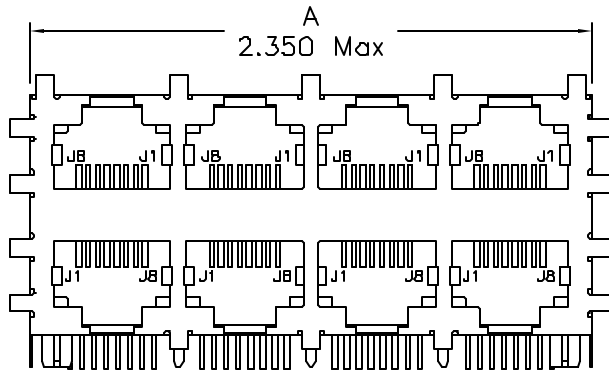
DOC. REV A/1

XFMRs Inc. www.XFMRS.com	Title: COMMON MODE FOUR PORT COMBO		
	UNLESS OTHERWISE SPECIFIED TOLERANCES: .xxx ±0.010 Dimensions in Inch SCALE 1.5:1 SHT 1 OF 2	P/N: XF0043-STACK8-4	REV. A
	DWN.	Kang Chen	Jun-25-07
	CHK.	YK Liao	Jun-25-07
	APP.	BW	Jun-25-07

PROPRIETARY:

Document is the property of XFMRs Group & is not allowed to be duplicated without authorization.

Mechanical Dimensions:



SUGGESTED MOUNTING PATTERN (COMPONENT SIDE)

DOC. REV. A/1

XFMRS Inc. www.XFMRS.com	Title: Mechanical Dimensions For 2x4 STACKED COMBO Series		
	UNLESS OTHERWISE SPECIFIED TOLERANCES: .xxx ±0.010 Dimensions in Inch	P/N: XFO043-STACK8-4	REV. A
	DWN.	Juan Mao	Jun-25-07
	CHK.	YK Liao	Jun-25-07
	APP.	BW	Jun-25-07
SHEET 2 OF 2			

PROPRIETARY:

Document is the property of XFMRS Group & is not allowed to be duplicated without authorization.