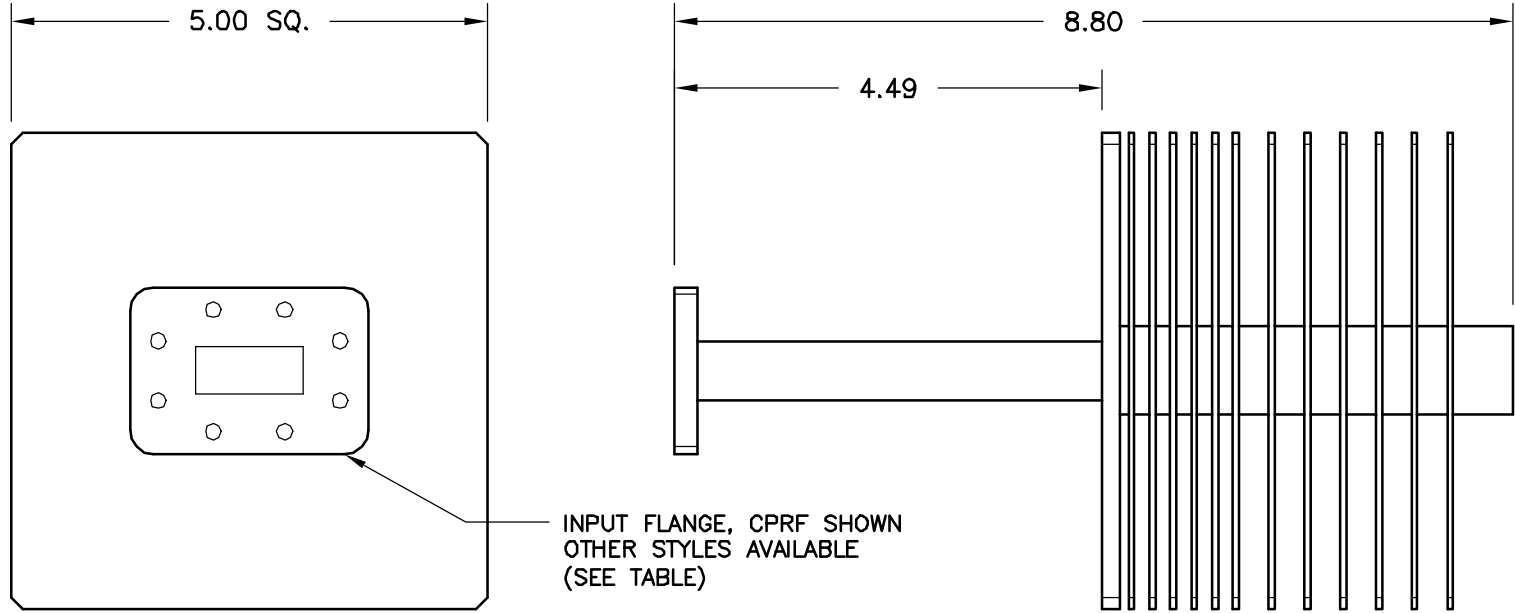



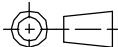
REV. A	AUTH. R.L.	DATE 9/20/02	INITIAL RELEASE	APPROVED
REV. B	AUTH. R.L.	DATE 8/28/03	REVISED NOTES.	APPROVED



PERFORMANCE SPECIFICATIONS

MODEL CODE: 112-760-FLANGE TYPE*
 WG SIZE: WR112 ALUM.
 FREQ. RANGE: 7.05 - 10.0 GHz
 POWER: 3000W AVG.
 MAX. VSWR: 1.15 MAX.
 FLANGE TYPE: SEE CHART BELOW

*ATM MODEL# DESIGNATION FOR COMMON FLANGES
1 = CPRG
2 = CPRF
6 = UG COVER
7 = UG CHOKE
8 = SPECIAL

MATERIAL	6061/T6 ALUM.	TREATMENT	IRIDITE	DRAWN	R. LYNCH	DATE	9/20/02
FINISH	HI-TEMP BLACK	MOD NO.	112-760-X	CHECKED		DATE	
OUTLINE, WR112 VERY HIGH POWER TERMINATION				APPROVED		DATE	
				CAGE CODE: ORBN4		DO NOT SCALE DWG	
ADVANCED TECHNICAL MATERIALS, INC. 49 RIDER AVE., PATCHOGUE N.Y. 11772 TEL: (631) 289-0363 FAX: (631) 289-0358 http://www.atmmicrowave.com				UNLESS OTHERWISE NOTED DIMENSIONS ARE IN INCHES TOLERANCES ARE:		FRACTIONS ±1/64 DECIMALS ±.01 ANGLES ±1/2°	SHEET. 1/1
 PROPRIETARY NOTICE: THE INFORMATION IN THIS DRAWING IS PROPRIETARY AND SHALL NOT BE USED OR DISCLOSED WITHOUT THE PRIOR WRITTEN CONSENT OF ATM, INC.				 SCALE 1 : 2		DWG. NO. 5198	REV. B