

PLEASE CHECK WWW.MOLEX.COM FOR LATEST PART INFORMATION

Part Number: [0355330205](#)
Status: **Active**
Description: PT Bulb Socket Single Housing Assembly, Type A, Unsealed, Gray

Documents:

[3D Model](#) [Product Specification PS-35532-001 \(PDF\)](#)
[Drawing \(PDF\)](#) [RoHS Certificate of Compliance \(PDF\)](#)

General

Product Family	Other Sockets
Series	35533
Comments	A-Type
Component Type	Socket
Product Name	Bulb Socket

Physical

Circuits (Loaded)	0
Circuits (maximum)	2
Color - Resin	Gray
Durability (mating cycles max)	50
Entry Angle	Vertical
Keying to Mating Part	None
Material - Resin	Nylon
PCB Locator	No
PCB Retention	N/A
Packaging Type	Bag
Pitch - Mating Interface (in)	0.000 In
Pitch - Mating Interface (mm)	0.00 mm
Temperature Range - Operating	-40°C to +105°C

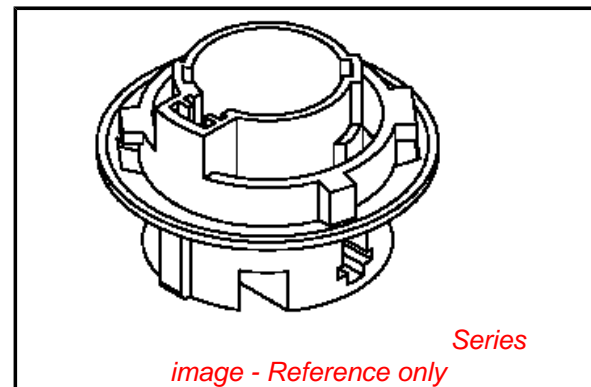
Electrical

Current - Maximum per Contact	7A
Voltage - Maximum	300V AC (RMS)/DC

Material Info

Reference - Drawing Numbers

Product Specification	PS-35532-001
Sales Drawing	SD-35533-001



EU RoHS

ELV and RoHS Compliant
REACH SVHC
 Not Reviewed
Halogen-Free Status

China RoHS



Need more information on product environmental compliance?

Email productcompliance@molex.com
 For a multiple part number RoHS Certificate of Compliance, [click here](#)

Please visit the [Contact Us](#) section for any non-product compliance questions.

Search Parts in this Series

[35533Series](#)

Mates With

[Lamp](#)

Use With

[35438 Positive Termina...](#)

