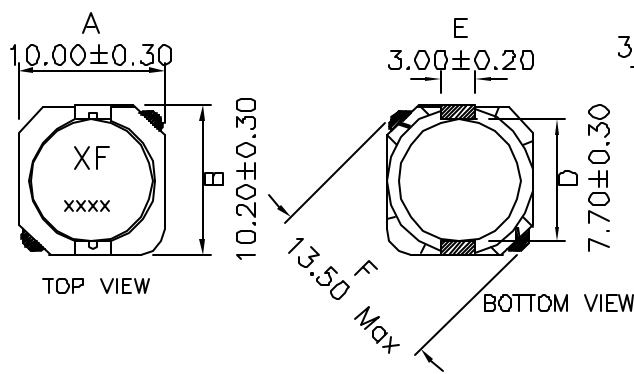


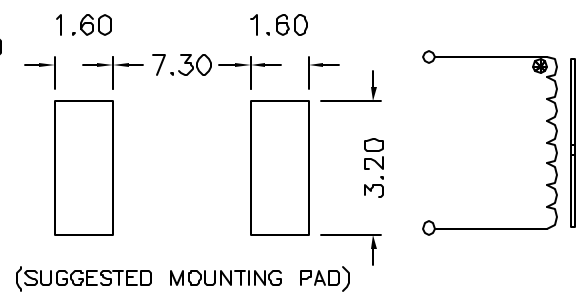
## XFTPRH104 SMT POWER INDUCTORS

- High Inductance, High DC Current Capability
- True Surface Mount Design
- Tape & Reel Packaging Standard, 900 Pcs per 13" Reel
- Custom designs available At No Extra Charge
- Economical Low Cost Solution For All Your Power Needs
- Industrial Operating Temp: -40 to +85°C
- Flamability Rating: UL94V-0
- RoHS Compliant Component

### Mechanical Dimensions:



### Schematic:



Part Number	INDUCTANCE (uH ±20%)	DCR (Ohms Max)	Rated D.C. Current <sup>(1)</sup> (A)
XFTPRH104-1R5M	1.5	0.0081	10.0
XFTPRH104-2R5M	2.5	0.010	7.50
XFTPRH104-3R8M	3.8	0.013	6.00
XFTPRH104-5R2M	5.2	0.022	5.50
XFTPRH104-7R0M	7.0	0.027	4.80
XFTPRH104-100M	10	0.035	4.40
XFTPRH104-150M	15	0.050	3.60
XFTPRH104-220M	22	0.073	2.90
XFTPRH104-330M	33	0.093	2.30
XFTPRH104-470M	47	0.128	2.10
XFTPRH104-680M	68	0.213	1.50
XFTPRH104-101M	100	0.304	1.35
XFTPRH104-151M	150	0.506	1.15
XFTPRH104-221M	220	0.756	0.92
XFTPRH104-331M	330	1.09	0.70

(1) Rated current is the current at which the inductance decreases to 65% of its original value or the temperature of the coil increases by 30°C.