

● PROFESSIONAL LED INDICATORS Ø6.1mm Mounting

FEATURES



696 SERIES

PACK QUANTITY = 10 PIECES

- Black anodised aluminium housing
- Counter sunk mounting for flush styling
- Sealed to IP67
- Wide viewing angle
- Vandal resistant
- Internal reverse protection diode fitted as standard in all voltage models.

SPECIFICATION

Ordering Information & Typical Technical Characteristics (Ta = 25°C)

Mean Time Between Failure = 100,000 Hours. Luminous intensity figures refer to the unmodified discrete LED.

PART NUMBER	COLOUR	LENS	VOLTAGE DC (Vdc) Vopr	CURRENT DC (mA) Iopr	LUMINOUS INTENSITY Iv@20mA (mcd)	WAVE LENGTH λp (nm)	OPERATING TEMP Topr	STORAGE TEMP Tstg	
HIGH INTENSITY									
696-301-21	Red	Colour Diffused	12	20	900	660	-40 ~ +85 [^]	-40 ~ +85	Yes
696-325-21	Yellow	Colour Diffused	12	20	4300	590	-30 ~ +85 [^]	-40 ~ +120	Yes
696-324-21	Green	Colour Diffused	12	20	7800	525	-30 ~ +85 [^]	-40 ~ +100	Yes
696-934-21	Blue	Colour Diffused	12	20	2300	470	-30 ~ +85 [^]	-40 ~ +100	Yes
696-998-21	Cool White	Colour Diffused	12	20	4600	see below	-30 ~ +85 [^]	-40 ~ +100	Yes
696-301-23	Red	Colour Diffused	24-28	20	900	660	-40 ~ +85 [^]	-40 ~ +85	Yes
696-325-23	Yellow	Colour Diffused	24-28	20	4300	590	-30 ~ +85 [^]	-40 ~ +120	Yes
696-324-23	Green	Colour Diffused	24-28	20	7800	525	-30 ~ +85 [^]	-40 ~ +100	Yes
696-934-23	Blue	Colour Diffused	24-28	20	2300	470	-30 ~ +85 [^]	-40 ~ +100	Yes
696-998-23	Cool White	Colour Diffused	24-28	20	4600	see below	-30 ~ +85 [^]	-40 ~ +100	Yes
UNITS			Vdc	mA	mcd	nm	°C	°C	



Other voltages AC/DC available. Please contact our Technical Sales.

[^] = Products must be derated according to the derating information. Each derating graph refers to specific LEDs.

998	*Typical emission colour cool white			
x	0.296	0.283	0.330	0.330
y	0.276	0.305	0.339	0.318

Intensities (Iv) and colour shades of white (x,y co-ordinates) may vary between LEDs within a batch.

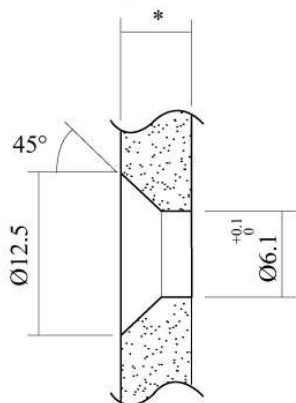
How to Order:

website: www.marl.co.uk • email: sales@marl.co.uk •

• Telephone +44 (0)1229 582430 • Fax: +44 (0)1229 585155

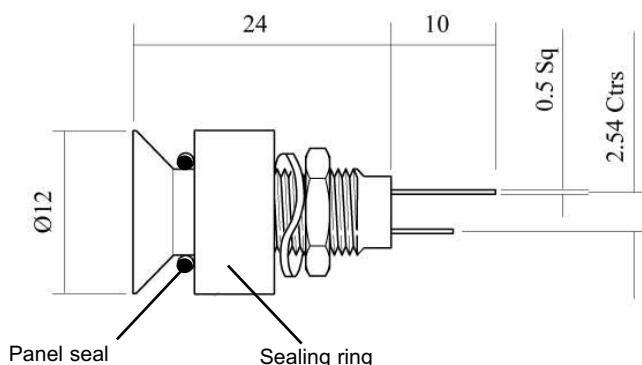
The information contained in this datasheet does not constitute part of any order or contract and should not be regarded as a representation relating to either products or service. Marl International reserve the right to alter without notice the specification or any conditions of supply for products or service.

696 Series



Panel and Mounting Hole

Dimensions in mm (Typical)
Not to scale

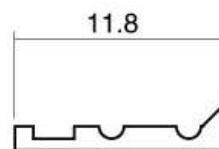


* Min/max panel thickness is 3mm / 6.5mm
Anode termination indicated by long pin
Mounting hole to be clean and burr free

MATERIALS

Body	Black Anodised Aluminium
Nut	Black Anodised Aluminium
Sealing Ring	Black Anodised Aluminium
Termination	Tin Plated Phosphor Bronze
Lock Washer	Stainless steel
Fresnel lens	Polycarbonate
Encapsulation	PC5430 resin

PUSH-ON CONNECTORS



909-000-00 is gold plated
910-000-00 is tin plated
For use with 696 series lamps

Dimensions in mm (Typical)
Not to scale

TECHNICAL CHARACTERISTICS

SERIES	MAXIMUM POWER DISSIPATION	MAXIMUM REVERSE VOLTAGE	PANEL CUTOUT	NUT MOUNTING TORQUE	MINIMUM MOUNTING CENTRES	MIN/MAX. PANEL THICKNESS
696	500	1000	6.1	0.65	x,y = 15.0	3.0-6.5
	mw	Vdc	mm	Nm	mm	mm

OPTIONAL FLYING LEAD TERMINATIONS

ORDER CODE SUFFIX	SUPPLY VOLTAGE	WIRE COLOUR	WIRE LENGTH	NO/DIAMETER OF CONDUCTORS	DIAMETER OVER INSULATION	COMMENTS
15	DC Products	Red-anode / Black-cathode	150mm	19/0.15mm	1.2mm	Customised lengths available
15	AC Products	Brown-live / Blue-neutral	150mm			
19	DC Products	Red-anode / Black-cathode	1000mm			
19	AC Products	Brown-live / Blue-neutral	1000mm			

website: www.marl.co.uk • email: sales@marl.co.uk •

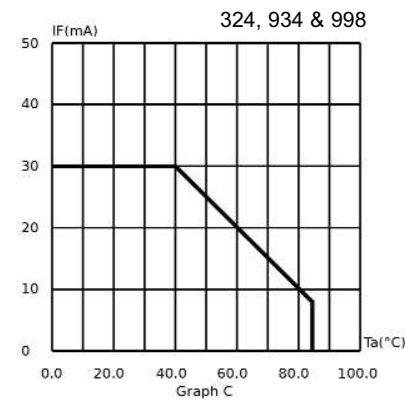
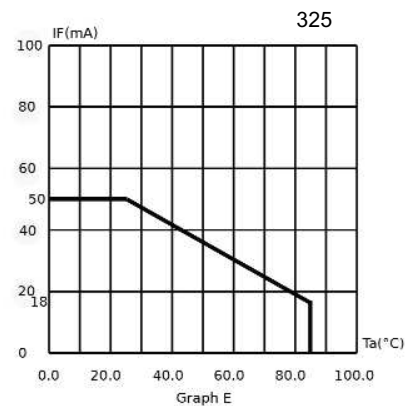
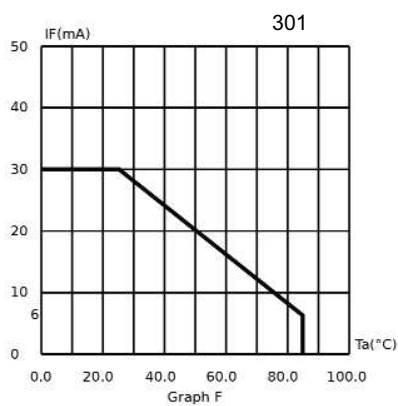
• Telephone +44 (0)1229 582430 • Fax: +44 (0)1229 585155

The information contained in this datasheet does not constitute part of any order or contract and should not be regarded as a representation relating to either products or service. Marl International reserve the right to alter without notice the specification or any conditions of supply for products or service.



BS EN ISO 9001:2000
Approved Manufacturer

DERATING INFORMATION



website: www.marl.co.uk • email: sales@marl.co.uk •
 • Telephone +44 (0)1229 582430 • Fax: +44 (0)1229 585155

The information contained in this datasheet does not constitute part of any order or contract and should not be regarded as a representation relating to either products or service. Marl International reserve the right to alter without notice the specification or any conditions of supply for products or service.



BS EN ISO 9001:2000
Approved Manufacturer