

PLEASE CHECK WWW.MOLEX.COM FOR LATEST PART INFORMATION

Part Number: [0527451597](#)

Status: **Active**

Overview:

Description: 0.50mm (.020") Pitch FFC/FPC Connector, Right Angle, SMT, ZIF, Top Contact Style, 15 Circuits, Lead-free, Gold (Au) Contact Plating, High Barrier Packaging

Agency Certification

UL E29179

General

Product Family FFC/FPC Connectors
Series 52745
Overview ffc_fpc_smt
Product Name N/A

Physical

Circuits (Loaded) 15
Color - Resin Black, White
Contact Position Top
Durability (mating cycles max) 20
Entry Angle 90° Angle
Flammability 94V-0
Mated Height (in) 0.079 In
Mated Height (mm) 2.00 mm
Material - Metal Phosphor Bronze
Material - Plating Mating Gold
Material - Plating Termination Gold
Number of Rows 1
Orientation Right Angle
PCB Locator No
PCB Retention Yes
Packaging Type Embossed Tape on Reel
Pitch - Mating Interface (in) 0.020 In
Pitch - Mating Interface (mm) 0.50 mm
Polarized to PCB Yes
Stackable No
Temperature Range - Operating -20°C to +85°C
Termination Interface: Style Surface Mount
Wire/Cable Type FFC/FPC

Electrical

Current - Maximum per Contact 0.5A
Voltage - Maximum 50V

Material Info

Reference - Drawing Numbers

Application Specification AS-52745-001
Packaging Specification SPK-52745-001, SPK-52745-002
Product Specification PS-52745-051, RPS-52745-056, RPS-52745-060, RPS-52745-061, RPS-52745-062, RPS-52745-063, RPS-52745-064, RPS-52745-065, RPS-52745-066, RPS-52745-068, RPS-52745-071, RPS-52745-072, RPS-52745-074, RPS-52745-075, RPS-52745-077
Sales Drawing SD-52745-050, SD-52745-051

EU RoHS

**ELV and RoHS
Compliant**

REACH SVHC

Not Reviewed

Halogen-Free

Status

Not Reviewed

China RoHS



**Need more information on product
environmental compliance?**

Email productcompliance@molex.com
For a multiple part number RoHS Certificate of Compliance, [click here](#)

Please visit the [Contact Us](#) section for any non-product compliance questions.

Search Parts in this Series

[52745Series](#)

This document was generated on 06/05/2010

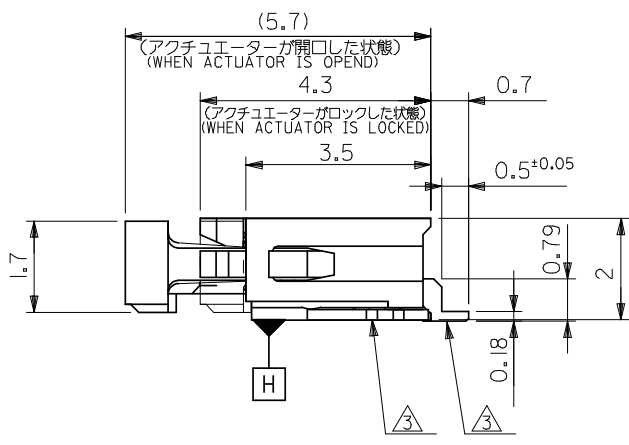
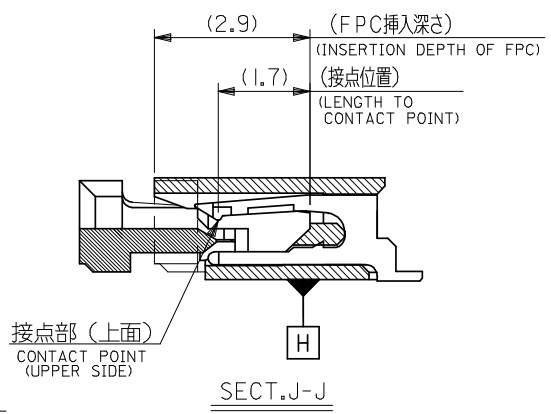
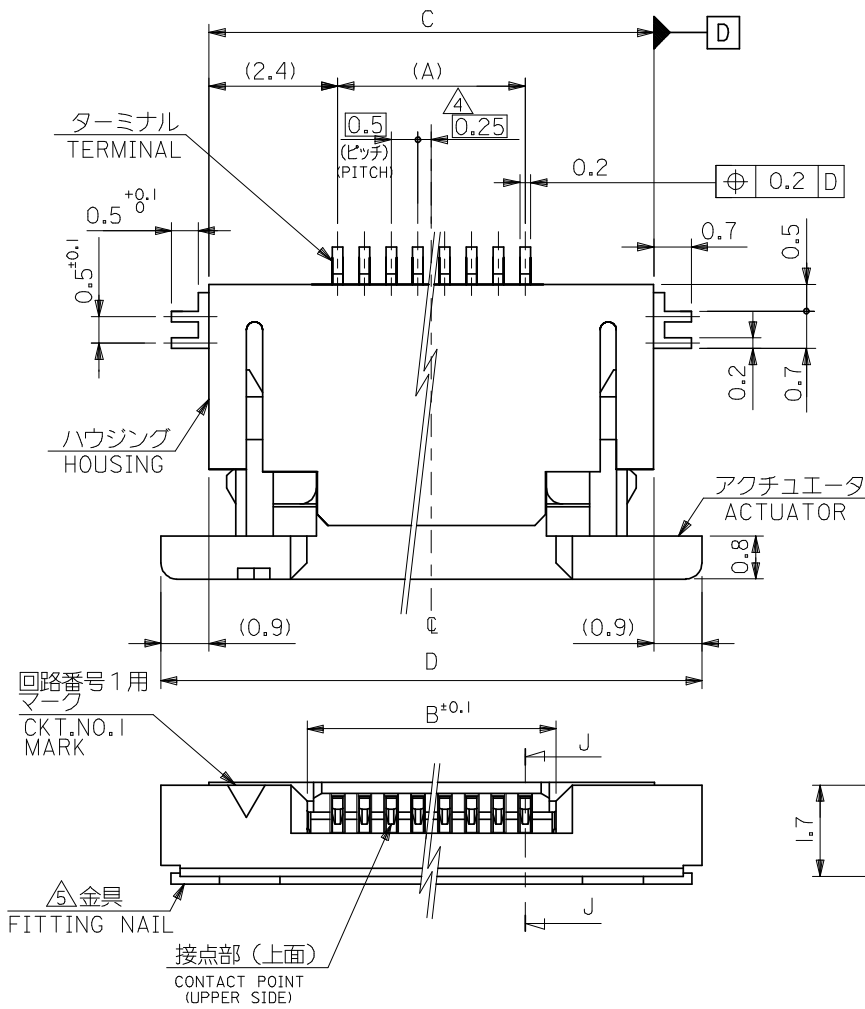
PLEASE CHECK WWW.MOLEX.COM FOR LATEST PART INFORMATION

注記 NOTES

1. 使用材料 MATERIAL

ハウジング : ポリアミド46、ガラス充填、UL94V-0 (白)
 HOUSING : POLYAMIDE46, GLASS FILLED, UL94V-0(WHITE)
 アクチュエータ : ポリフェニレンサルファイド、ガラス充填、UL94V-0 (黒)
 ACTUATOR : POLYPHENYLENE SULFIDE, GLASS FILLED, UL94V-0(BLACK)
 ターミナル : リン青銅 (t=0.2)
 TERMINAL : PHOSPOR BRONZE
 メッキ
 コントクト部: 金メッキ 0.1マイクロメートル以上
 テール部: 金メッキ 0.05マイクロメートル以上
 下地: ニッケル 1.0マイクロメートル以上
 PLATED
 CONTACT AREA : GOLD 0.1 MICROMETER MINIMUM
 TAIL AREA : GOLD 0.05 MICROMETER MINIMUM
 UNDER PLATING : NICKEL 1.0 MICROMETER MINIMUM
 金具 : リン青銅、ニッケル下地純銅メッキ (t=0.2)
 FITTING NAIL : PHOSPOR BRONZE, TIN OVER NICKEL PLATING

2. エンボステープ梱包時は、アクチュエータがロックした状態とする。
 IN THE PACKAGE, ACTUATOR OF PART NO. 52745-***59 SHOULD BE LOCKED.
 △ソルダータール半田付け面のズレ量、及び金具半田付け面のズレ量は、基準面 H に対し上方向 0.1 MAX.、下方向 0.15 MAX. とする。
 MISALIGNMENT OF SOLDER TAILS AND FITTING NAILS FROM H
 UPPER DIRECTION: 0.1 MAX., LOWER DIRECTION: 0.15 MAX.
 △偶数極に適用。
 APPLY FOR EVEN CIRCUIT.
 △パターンはくり止め用金具
 FITTING NAIL FOR PREVENTION OF PEELING
 OF P.C.B. PATTERN.
 6. 本製品は 54745-***17 の部分金メッキ品である。
 THIS PRODUCT IS SELECTIVE GOLD PLATING OF 52745-***17.



16.1	14.3	10.65	9.5	52745-2097	52745-2059	20
15.6	13.8	10.15	9.0	-1997	-1959	19
15.1	13.3	9.65	8.5	-1897	-1859	18
14.6	12.8	9.15	8.0	-1797	-1759	17
14.1	12.3	8.65	7.5	-1697	-1659	16
13.6	11.8	8.15	7.0	-1597	-1559	15
13.1	11.3	7.65	6.5	-1497	-1459	14
12.6	10.8	7.15	6.0	-1397	-1359	13
12.1	10.3	6.65	5.5	-1297	-1259	12
11.6	9.8	6.15	5.0	-1197	-1159	11
11.1	9.3	5.65	4.5	-1097	-1059	10
10.6	8.8	5.15	4.0	-0997	-0959	9
10.1	8.3	4.65	3.5	-0897	-0859	8
9.6	7.8	4.15	3.0	-0797	-0759	7
9.1	7.3	3.65	2.5	-0697	-0659	6
8.1	6.3	2.65	1.5	52745-0497	52745-0459	4
D	C	B	(A)	EMBOSSED TAPE	MATERIAL NO.	極数
				ORDER No. オーダー番		CIRCUIT

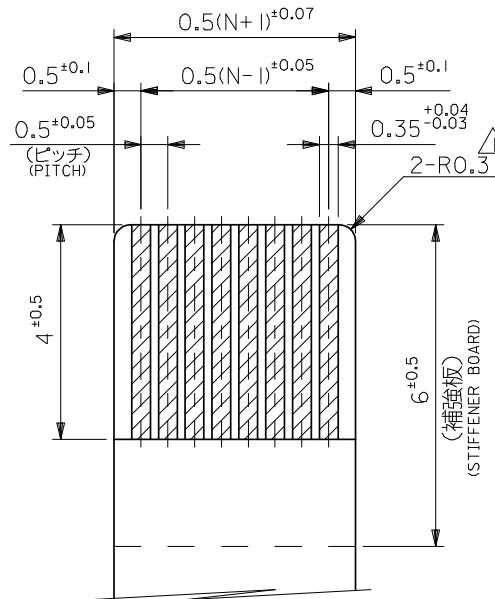
52745-***59 MODEL NO.

REVISED EC NO: J2008-4308 DRWN: NABEI 2008/06/27 CH'KD: THARUYAMA 2008/06/30 APPR: NUKITA 2008/06/30	GENERAL TOLERANCES (UNLESS SPECIFIED)		DIMENSION STYLE MM ONLY		SCALE ---	DESIGN UNITS METRIC	THIRD ANGLE PROJECTION
	10 UNDER	±0.2	DRAWN BY M. NABEI	DATE '05/02/14	TITLE 0.5 FPC CONN ASSY ZIF UPR CONT -LEAD FREE-		
	10 OVER 30 UNDER	±0.25	CHECKED BY K. TOJO	DATE '05/02/14			
	30 OVER	±0.3	APPROVED BY N. UKITA	DATE '05/02/14	MOLEX INCORPORATED		
	ANGULAR	±3 °	MATERIAL NO.	DOCUMENT NO.			
DRAFT WHERE APPLICABLE MUST REMAIN WITHIN DIMENSIONS		SEE TABLE		SD-52745-050	SHEET NO. 1 OF 2		

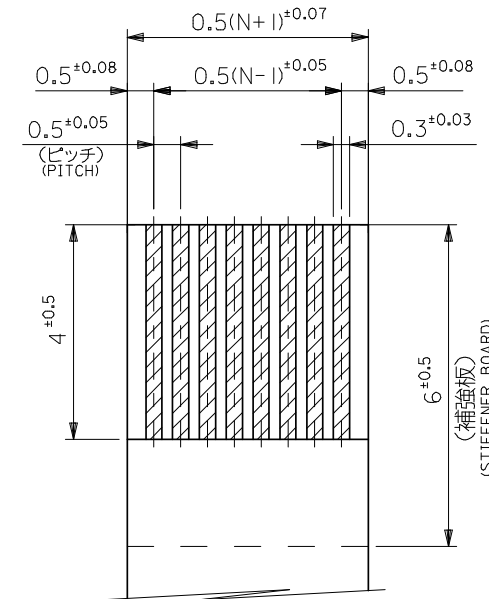


参考基板レイアウト
P.C.BOARD PATTERN
DIMENSION (REF.)
(マウント面)
(MOUNTING SIDE)

コネクタ位置
CONNECTOR
POSITION



適合FPC推奨寸法
APPLICABLE FPC
RECOMMENDED DIMENSION
(仕上がり厚さ: 0.3±0.03)
(THICKNESS: 0.3±0.03)



適合FFC推奨寸法
APPLICABLE FFC
RECOMMENDED DIMENSION
(仕上がり厚さ: 0.3±0.03)
(THICKNESS: 0.3±0.03)

FPCについて:
打抜き方向は導体側から補強板側を推奨致します。
補強フィルム材質はポリイミドを推奨致します。
接着剤は熱硬化接着剤を推奨致します。

ABOUT FPC:
RECOMMENDED PUNCHER DIRECTION: FROM CONDUCTOR SIDE TO STIFFENER BOARD SIDE.
RECOMMENDED MATERIAL:
STIFFENER FILM: POLYIMIDE
BONDING AGENT: THERMOSETTING BONDING AGENT

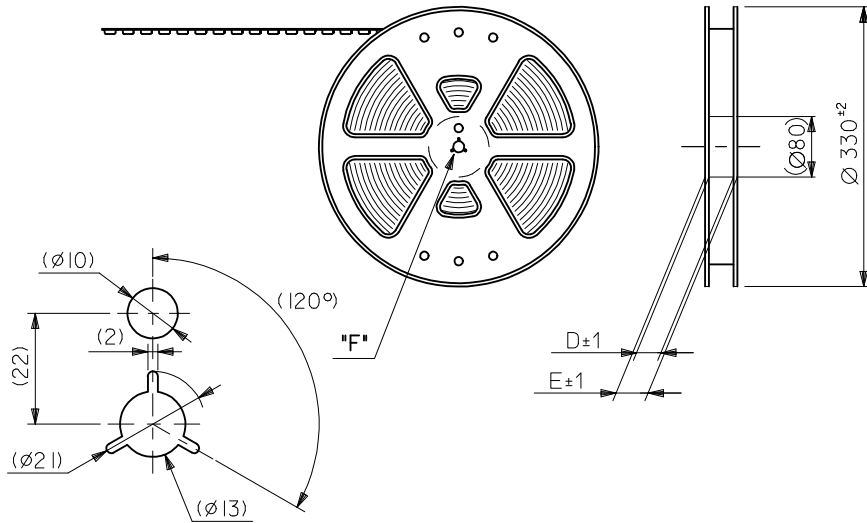
注記 NOTES

△ R0.3は、FPCの導体部にかからないこと。
R0.3 MUST NOT BE OVERLAPPED TO PATTERN OF FPC.

52745-***59 MODEL NO.

REVISED EC NO: J2008-4308 DRWN: NABEI 2008/06/27 CHKD: THARUYAMA 2008/06/30 APPR: NUKITA 2008/06/30	GENERAL TOLERANCES (UNLESS SPECIFIED)		DIMENSION STYLE MM ONLY	SCALE ---	DESIGN UNITS METRIC	THIRD ANGLE PROJECTION
	10 UNDER	±0.2	DRAWN BY M. NABEI	DATE '05/02/14	TITLE 0.5 FPC CONN ASSY ZIF UPR CONT -LEAD FREE-	
	10 OVER 30 UNDER	±0.25	CHECKED BY K. TOJO	DATE '05/02/14	APPROVED BY N. UKITA	
	30 OVER	±0.3	DATE '05/02/14	MATERIAL NO.		DOCUMENT NO. SD-52745-050
	ANGULAR	±3 °	SEE SHEET 1		SHEET NO. 2 OF 2	
DRAFT WHERE APPLICABLE MUST REMAIN WITHIN DIMENSIONS	SIZE A3		THIS DRAWING CONTAINS INFORMATION THAT IS PROPRIETARY TO MOLEX INCORPORATED AND SHOULD NOT BE USED WITHOUT WRITTEN PERMISSION			

引き出し方向
←
PULL OUT
DIRECTION



DETAIL "F"

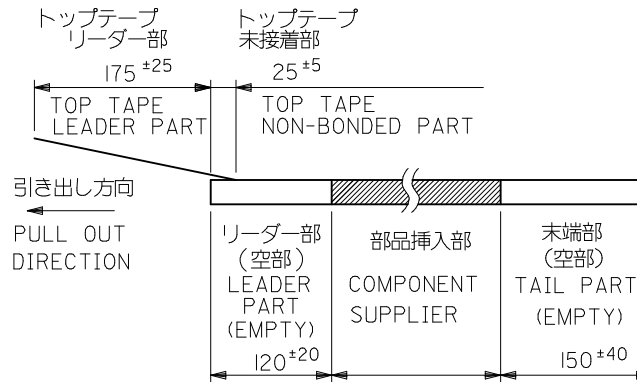
5. 材料 キャリアテープ:ポリプロピレン (PP)
 トップテープ:PET, PE, PEF
 リール:ポリスチレン (PS) <リサイクル材を含む>
 MATERIAL CARRIER TAPE:POLYPROPYLENE
 TOP TAPE:PET,PE,PEF
 REEL:POLYSTYRENE(PS)
 <RECYCLE MATERIAL CONTAINED>

6. 本製品は 52745- **90 の鉛フリー品である。
 THIS PRODUCT IS LEAD FREE OF 52745-**90

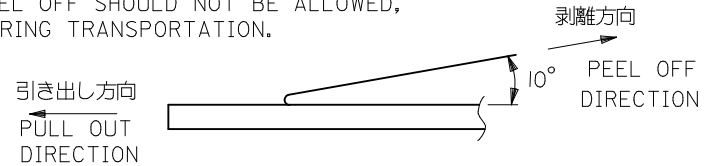
7. 本製品は乾燥剤入り、ハイバリア梱包仕様である。
 THIS PRODUCT IS HIGH BARRIER PACKAGE WITH DESICCANT.

注記 NOTES

- 製品番号 52745-**59 の梱包状態はアクチュエータがロックした状態とする。
 詳細寸法については図面 SD-52745-050 を参照下さい。
 IN THE PACKAGE,ACTUATOR OF PART NO.52745-**59 SHOULD BE LOCKED
 RE DETAILED DIMENSIONS,SEE SD-52745-050.
- 梱包数量:1000個/リール
 NUMBER OF CONNECTORS:1000PCS/REEL
- リードテープ長さ LEAD TAPE LENGTH

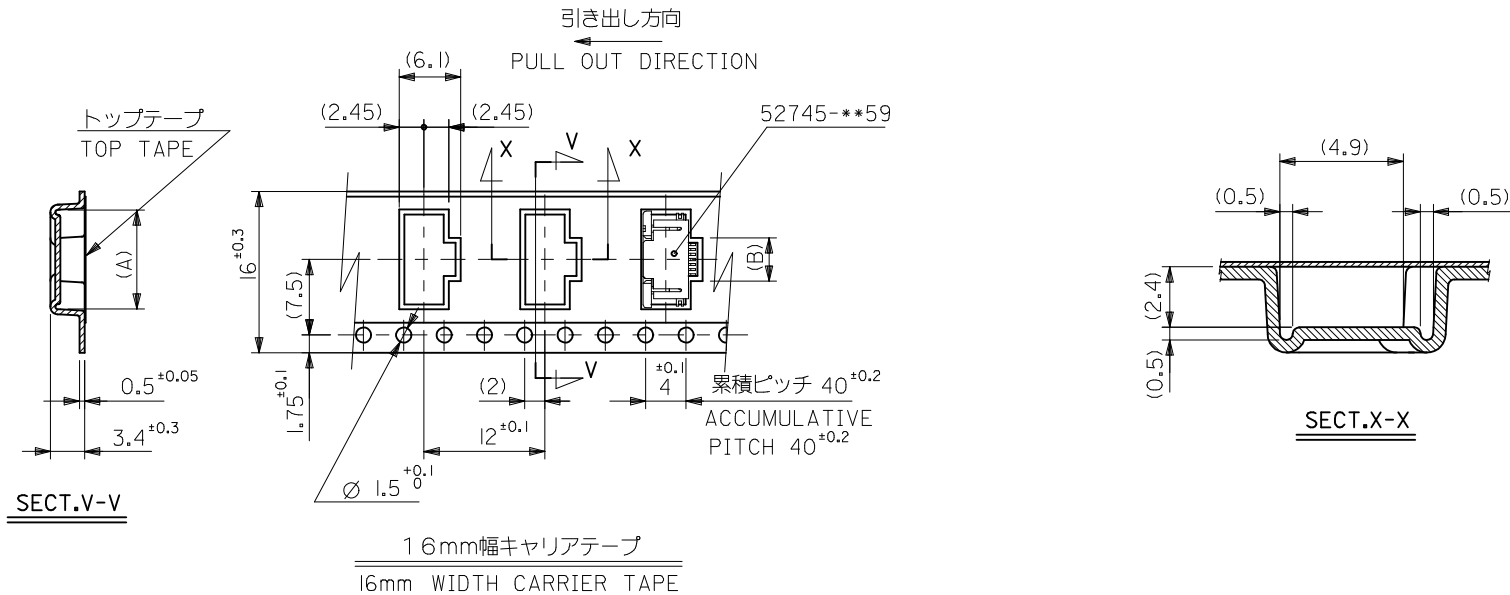


- トップテープの剥離強度:(剥離方向は下図参照)
 0.1N~1.3N(10gf~130gf)尚、本規格値は、出荷時に適用。
 (但し、輸送時に剥離が発生しない事。)
 PEELING OFF FORCE OF TOP TAPE:
 0.1N~1.3N(10gf~130gf)(PEELING DIRECTION AS SHOWN IN FOLLOWING FIG.)
 THIS REQUIREMENT SHOULD BE APPLIED AT SHIPMENT
 PEEL OFF SHOULD NOT BE ALLOWED,
 DURING TRANSPORTATION.



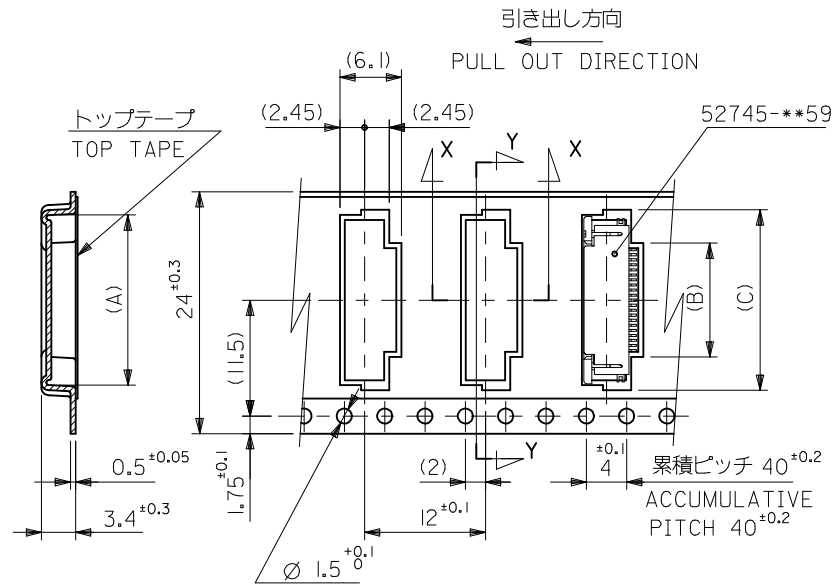
52745-**97 MODEL NO.

REVISED EC NO: J2009-2061 DRWN:TKON 2009/05/20 CHKD:HMATSUMOTO 2009/05/21 APPR:NUKITA 2009/05/21	DESCRIPTION REV	GENERAL TOLERANCES (UNLESS SPECIFIED)		DIMENSION STYLE MM ONLY		SCALE ---	DESIGN UNITS METRIC	THIRD ANGLE PROJECTION	
		10 UNDER	±---	DRAWN BY M.NABEI	DATE '05/02/14	TITLE 0.5 FPC CONN UPR CONT EMBSTP PKG -LEAD FREE-			
		10 OVER 30 UNDER	±---	CHECKED BY K.TOJO	DATE '05/02/14	MOLEX INCORPORATED			
		30 OVER	±---	APPROVED BY N.UKITA	DATE '05/02/14	MATERIAL NO. SEE TABLE		DOCUMENT NO. SD-52745-051	SHEET NO. 1 OF 3
ANGULAR ±---°		DRAFT WHERE APPLICABLE MUST REMAIN WITHIN DIMENSIONS		THIS DRAWING CONTAINS INFORMATION THAT IS PROPRIETARY TO MOLEX INCORPORATED AND SHOULD NOT BE USED WITHOUT WRITTEN PERMISSION					



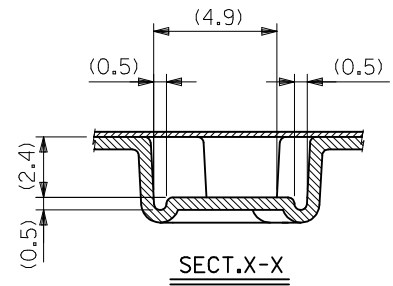
16	21.4	17.4	2.8	8.4	52745-0497	4
キャリアテープ幅 CARRIER TAPE WIDTH	E	D	(B)	(A)	MATERIAL NO.	極数 CIRCUIT

REVISED EC NO.: J2009-2061 DRWN:TKGN 2009/05/20 CHKD:HMATSUMOTO 2009/05/21 APPR:NUKITA 2009/05/21	GENERAL TOLERANCES (UNLESS SPECIFIED)	DIMENSION STYLE MM ONLY	SCALE ---	DESIGN UNITS METRIC	THIRD ANGLE PROJECTION
	10 UNDER ±---	DRAWN BY M. NABEI	DATE '05/02/14	TITLE 0.5 FPC CONN UPR CONT EMBSTP PKG -LEAD FREE-	
	10 OVER 30 UNDER ±---	CHECKED BY K. TOJO	DATE '05/02/14	MOLEX INCORPORATED	
	30 OVER ±---	APPROVED BY N. UKITA	DATE '05/02/14	MATERIAL NO. SEE TABLE	DOCUMENT NO. SD-52745-051
ANGULAR ±--- °	THIS DRAWING CONTAINS INFORMATION THAT IS PROPRIETARY TO MOLEX INCORPORATED AND SHOULD NOT BE USED WITHOUT WRITTEN PERMISSION				
DRAFT WHERE APPLICABLE MUST REMAIN WITHIN DIMENSIONS					



SECT.Y-Y

24mm幅キャリアテープ
24mm WIDTH CARRIER TAPE



SECT.X-X

24	29.4	25.4	17.4	10.8	16.4	52745-2097	20
			16.9	10.3	15.9	-1997	19
			16.4	9.8	15.4	-1897	18
			15.9	9.3	14.9	-1797	17
			15.4	8.8	14.4	-1697	16
			14.9	8.3	13.9	-1597	15
			14.4	7.8	13.4	-1497	14
			13.9	7.3	12.9	-1397	13
			13.4	6.8	12.4	-1297	12
			12.9	6.3	11.9	-1197	11
			12.4	5.8	11.4	-1097	10
			11.9	5.3	10.9	-0997	9
			11.4	4.8	10.4	-0897	8
10.9	4.3	9.9	-0797	7			
10.4	3.8	9.4	52745-0697	6			
キャリアテープ幅 CARRIER TAPE WIDTH	E	D	(C)	(B)	(A)	MATERIAL NO.	極数 CIRCUIT

REVISED EC NO: J2009-2061 DRWN:TKON 2009/05/20 CHKD:HMATSUMOTO 2009/05/21 APPR:NUKITA 2009/05/21	GENERAL TOLERANCES (UNLESS SPECIFIED)		DIMENSION STYLE MM ONLY		SCALE ---	DESIGN UNITS METRIC	THIRD ANGLE PROJECTION
	10 UNDER	±---	DRAWN BY M. NABEI	DATE '05/02/14	TITLE 0.5 FPC CONN UPR CONT EMBSTP PKG -LEAD FREE-		
	10 OVER 30 UNDER	±---	CHECKED BY K. TOJO	DATE '05/02/14	MOLEX INCORPORATED		
	30 OVER	±---	APPROVED BY N. UKITA	DATE '05/02/14	MATERIAL NO. SEE TABLE	DOCUMENT NO. SD-52745-051	SHEET NO. 3 OF 3
ANGULAR ±--- °	DRAFT WHERE APPLICABLE MUST REMAIN WITHIN DIMENSIONS		THIS DRAWING CONTAINS INFORMATION THAT IS PROPRIETARY TO MOLEX INCORPORATED AND SHOULD NOT BE USED WITHOUT WRITTEN PERMISSION				