

High Performance Low Cost Surface Mount Inductors



- Operating Temperature Range -40°C to +125°C
- Insulation System Class B, 130°C
- Temperature Rise at I_{rms}, Typical 40°C

Specifications

Part Number	Inductance (1) μH ±20%	DC Resistance (4) Ω Max.	I _{SAT} (2) Amps	I _{rms} (3) Amps rms	Competitor Part Number
HM71-101R0LF	1.0	0.05	2.90	2.9	DO1608C-102ML
HM71-101R5LF	1.5	0.05	2.60	2.8	DO1608C-152ML
HM71-102R2LF	2.2	0.07	2.30	2.4	DO1608C-222ML
HM71-103R3LF	3.3	0.08	2.0	2.0	DO1608C-332ML
HM71-104R7LF	4.7	0.09	1.50	1.5	DO1608C-472ML
HM71-106R8LF	6.8	0.13	1.20	1.4	DO1608C-682ML
HM71-10100LF	10	0.16	1.10	1.1	DO1608C-103ML
HM71-10150LF	15	0.23	0.90	1.2	DO1608C-153ML
HM71-10220LF	22	0.37	0.70	0.8	DO1608C-223ML
HM71-10330LF	33	0.51	0.58	0.6	DO1608C-333ML
HM71-10470LF	47	0.64	0.50	0.5	DO1608C-473ML
HM71-10680LF	68	0.86	0.40	0.4	DO1608C-683ML
HM71-10101LF	100	1.27	0.31	0.3	DO1608C-104ML
HM71-10151LF	150	2.0	0.27	0.25	DO1608C-154ML
HM71-10221LF	220	2.65	0.22	0.2	DO1608C-224ML
HM71-10331LF	330	3.80	0.18	0.16	DO1608C-334ML
HM71-10471LF	470	5.06	0.16	0.15	DO1608C-474ML
HM71-10681LF	680	9.20	0.14	0.12	DO1608C-684ML
HM71-10102LF	1000	13.8	0.10	0.07	DO1608C-105ML
HM71-20100LF	10	0.11	2.40	2.0	DO3308P-103ML
HM71-20150LF	15	0.15	2.0	1.5	DO3308P-153ML
HM71-20220LF	22	0.23	1.60	1.3	DO3308P-223ML
HM71-20330LF	33	0.30	1.40	1.1	DO3308P-333ML
HM71-20470LF	47	0.39	1.0	0.8	DO3308P-473ML
HM71-20680LF	68	0.66	0.90	0.7	DO3308P-683ML
HM71-20101LF	100	0.84	0.70	0.6	DO3308P-104ML
HM71-20151LF	150	1.20	0.60	0.5	DO3308P-154ML
HM71-20221LF	220	1.90	0.50	0.4	DO3308P-224ML
HM71-20331LF	330	2.70	0.40	0.3	DO3308P-334ML
HM71-20471LF	470	4.0	0.30	0.2	DO3308P-474ML
HM71-20681LF	680	5.3	0.20	0.1	DO3308P-684ML
HM71-20102LF	1000	8.4	0.10	0.05	DO3308P-105ML
HM71-301R0LF	1.0	0.009	9.0	6.8	DO3316P-102ML
HM71-301R5LF	1.5	0.010	8.0	6.4	DO3316P-152ML
HM71-302R2LF	2.2	0.012	7.0	6.1	DO3316P-222ML
HM71-303R3LF	3.3	0.015	6.40	5.4	DO3316P-332ML
HM71-304R7LF	4.7	0.018	5.40	4.8	DO3316P-472ML
HM71-306R8LF	6.8	0.027	4.60	4.4	DO3316P-682ML
HM71-30100LF	10	0.038	3.80	3.9	DO3316P-103ML
HM71-30150LF	15	0.046	3.0	3.1	DO3316P-153ML

Specifications (Cont'd)

Part Number	Inductance ⁽¹⁾ μH ± 20%	DC Resistance ⁽⁴⁾ Ω Max.	I _{SAT} ⁽²⁾ Amps	I _{rms} ⁽³⁾ Amps rms	Competitor Part Number
HM71-30220LF	22	0.085	2.60	2.7	DO3316P-223ML
HM71-30330LF	33	0.10	2.0	2.1	DO3316P-333ML
HM71-30470LF	47	0.14	1.60	1.8	DO3316P-473ML
HM71-30680LF	68	0.20	1.40	1.5	DO3316P-683ML
HM71-30101LF	100	0.28	1.20	1.3	DO3316P-104ML
HM71-30151LF	150	0.40	1.0	1.0	DO3316P-154ML
HM71-30221LF	220	0.61	0.80	0.8	DO3316P-224ML
HM71-30331LF	330	1.02	0.60	0.6	DO3316P-334ML
HM71-30471LF	470	1.27	0.50	0.5	DO3316P-474ML
HM71-30681LF	680	2.02	0.40	0.4	DO3316P-684ML
HM71-30102LF	1000	3.0	0.30	0.3	DO3316P-105ML
HM71-40100LF	10	0.040	8.0	3.5	DO3340P-103ML
HM71-40150LF	15	0.050	7.0	3.0	DO3340P-153ML
HM71-40220LF	22	0.066	5.50	2.5	DO3340P-223ML
HM71-40330LF	33	0.080	4.0	2.0	DO3340P-333ML
HM71-40470LF	47	0.110	3.80	1.6	DO3340P-473ML
HM71-40680LF	68	0.170	3.0	1.2	DO3340P-683ML
HM71-40101LF	100	0.220	2.50	1.2	DO3340P-104ML
HM71-40151LF	150	0.340	2.0	0.9	DO3340P-154ML
HM71-40221LF	220	0.440	1.60	0.7	DO3340P-224ML
HM71-40331LF	330	0.70	1.20	0.6	DO3340P-334ML
HM71-40471LF	470	0.950	1.0	0.3	DO3340P-474ML
HM71-40681LF	680	1.20	1.0	0.2	DO3340P-684ML
HM71-40102LF	1000	2.0	0.80	0.1	DO3340P-105ML
HM71-501R0LF	1.0	0.009	20.0	8.6	DO5022P-102ML
HM71-502R2LF	2.2	0.014	16.0	7.1	DO5022P-222ML
HM71-503R3LF	3.3	0.015	14.0	6.2	DO5022P-332ML
HM71-505R6LF	5.6	0.020	12.0	5.3	DO5022P-562ML
HM71-50100LF	10	0.031	10.0	4.3	DO5022P-103ML
HM71-50150LF	15	0.036	8.0	4.0	DO5022P-153ML
HM71-50220LF	22	0.047	7.0	3.5	DO5022P-223ML
HM71-50330LF	33	0.066	5.50	3.0	DO5022P-333ML
HM71-50470LF	47	0.086	4.50	2.6	DO5022P-473ML
HM71-50680LF	68	0.130	3.50	2.3	DO5022P-683ML
HM71-50101LF	100	0.190	3.0	1.8	DO5022P-104ML
HM71-50151LF	150	0.250	2.60	1.5	DO5022P-154ML
HM71-50221LF	220	0.380	2.40	1.2	DO5022P-224ML
HM71-50331LF	330	0.560	1.90	1.0	DO5022P-334ML
HM71-50471LF	470	0.850	1.40	0.82	DO5022P-474ML
HM71-50681LF	680	1.10	1.20	0.72	DO5022P-684ML
HM71-50102LF	1000	1.80	1.0	0.56	DO5022P-105ML

- Notes:
- (1) Inductance is measured at 100 kHz, 0.1 Vrms.
 - (2) I_{SAT} is the saturation current at which inductance rolls off approximately 10%.
 - (3) I_{rms} is the approximate current at which ΔT = 40°C.
 - (4) DC resistance is measured at 20°C.

Outline Dimensions (Inch/mm) / Packaging

Figure 1

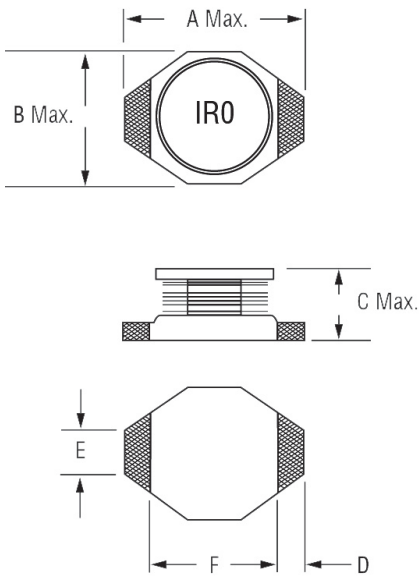
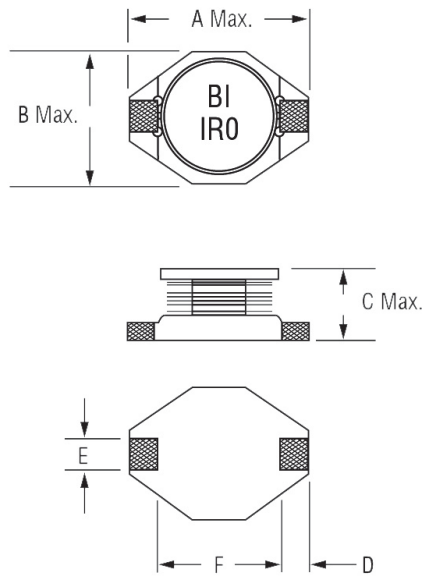


Figure 2



Recommended Solder Pad Layouts



Case Size	Figure	A	B	C	D	E	F	G	H	I	Reel Diameter	Reel Capacity
10	1	.260	.175	.115	.040	.050	.170	.160	.055	.140	7"	500 Units
		6.60	4.45	2.92	1.02	1.27	4.32	4.06	1.40	3.56		
20	2	.510	.370	.118	.100	.100	.300	.290	.115	.110	13"	1500 Units
		12.95	9.40	3.00	2.54	2.54	7.62	7.37	2.92	2.79		
30	2	.510	.370	.213	.100	.100	.300	.290	.115	.110	13"	500 Units
		12.95	9.40	5.40	2.54	2.54	7.62	7.37	2.92	2.79		
40	2	.510	.370	.450	.100	.100	.300	.290	.115	.110	13"	250 Units
		12.95	9.40	11.43	2.54	2.54	7.62	7.37	2.92	2.79		
50	2	.730	.600	.280	.100	.100	.500	.490	.115	.110	13"	350 Units
		18.54	15.24	7.11	2.54	2.54	12.70	12.45	2.92	2.79		

Ordering Information

