

# Dialight

## 46 SERIES

### 4" Round LED Stop/Tail/Turn Lamps



## FEATURES / BENEFITS

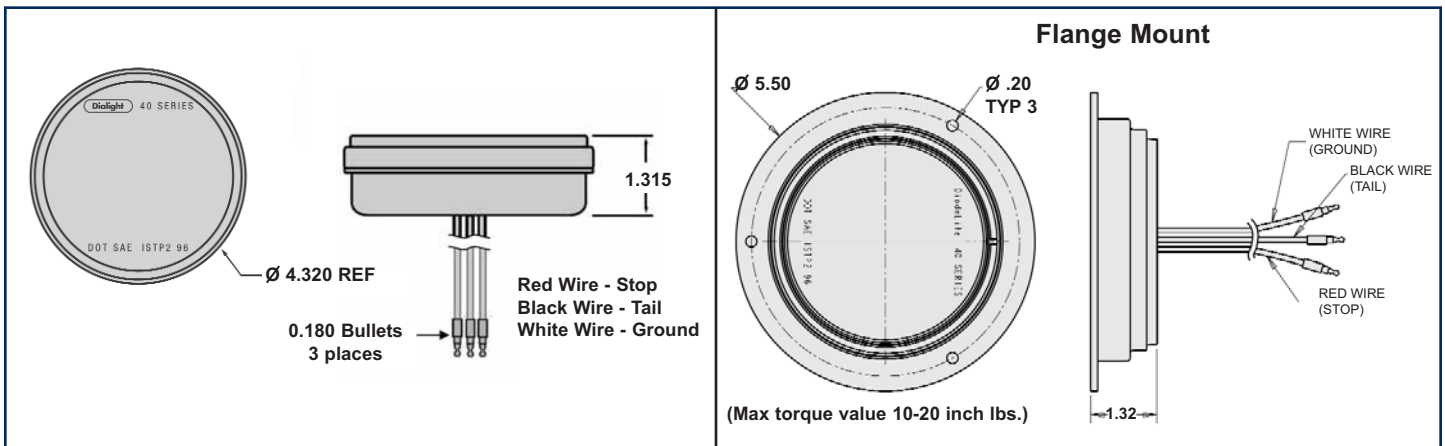
- ▲ Industry standard 4" round design
- ▲ Unique potted design assures seal integrity
- ▲ Terminated 0.180 Bullets
- ▲ Polycarbonate lens
- ▲ Flange mount option available
- ▲ Reduced current draw
- ▲ Longer life - 100,000 hours
- ▲ Lifetime warranty

## APPLICATION

The 46 Series LED Stop/Tail/Turn lamps were developed by Dialight for heavy-duty applications where increased safety and reliability are a major concern. These lamps were designed to conform to all of the FMVSS marker/clearance requirements for both existing and new vehicle designs.

The 46 Series Stop/Tail/Turn lamps use Dialight's unique durable potted construction which results in a superior lamp seal. The use of integral wiring results in fewer interconnections between the lamp and the vehicle harness.

## SPECIFICATIONS



PART NUMBER	DESCRIPTION	TYPICAL POWER RATINGS
46071RT-802	14 Volt S/T/T	240 mAmps @ 14 Volts Stop Mode 37 mAmps Tail Mode
46101RT-804	14 Volt S/T/T Black Flange Mount	240 mAmps @ 14 Volts Stop Mode 37 mAmps Tail Mode



Dialight Corporation

1501 Route 34 South • Farmingdale, NJ 07727 USA

Tel: (1) 732-919-3119 • Fax: (1) 732-751-5778 • www.dialight.com



MDTB46NX001\_C