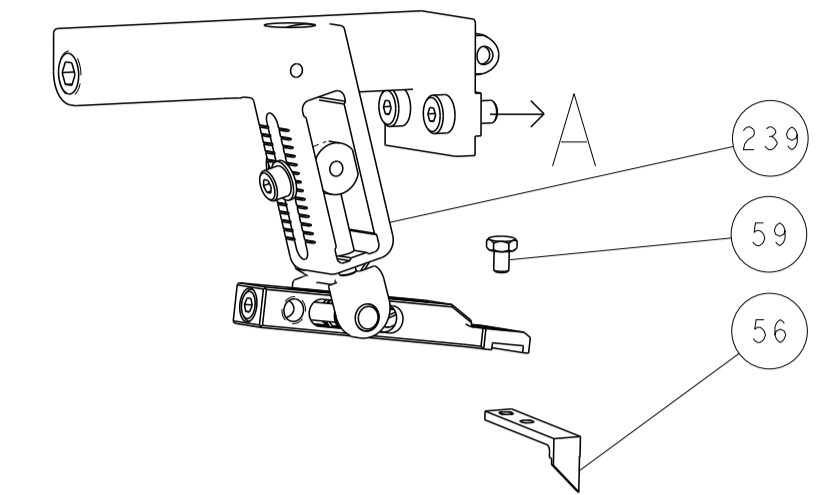
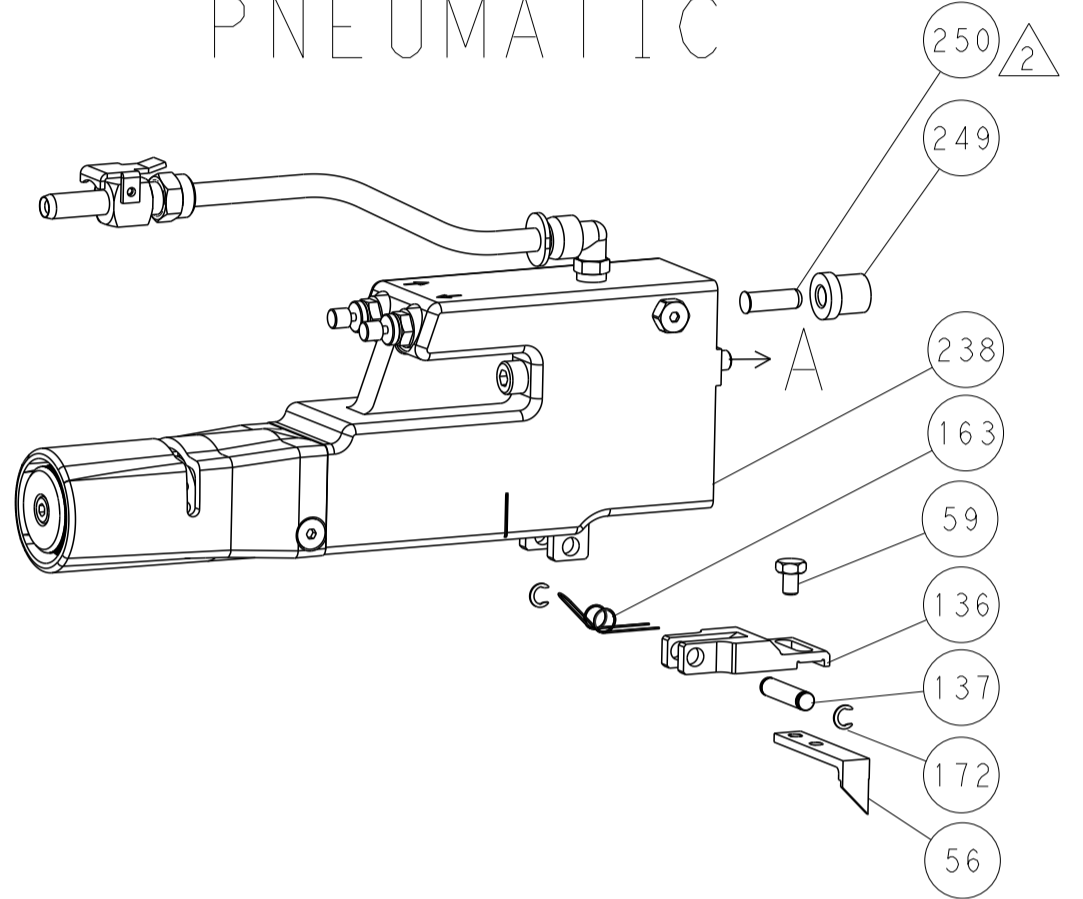


LOC	DIST	REVISIONS					
A	66	P	LYN	DESCRIPTION	DATE	DWN	APVD
		-	-	SEE SHEET 1	-	-	-

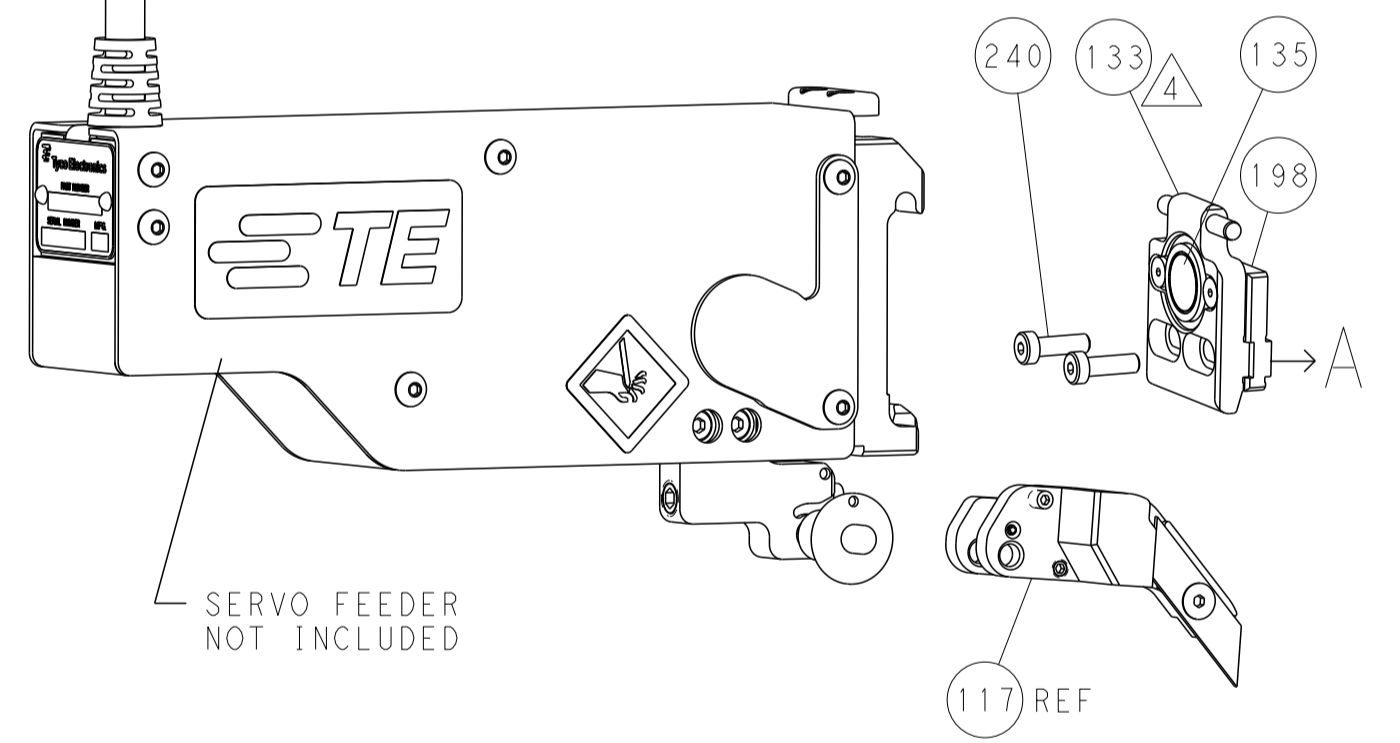
FEED TYPE MECHANICAL



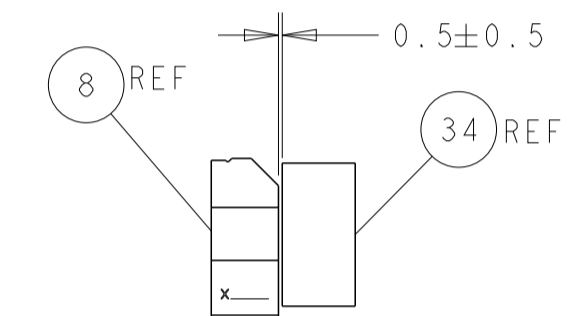
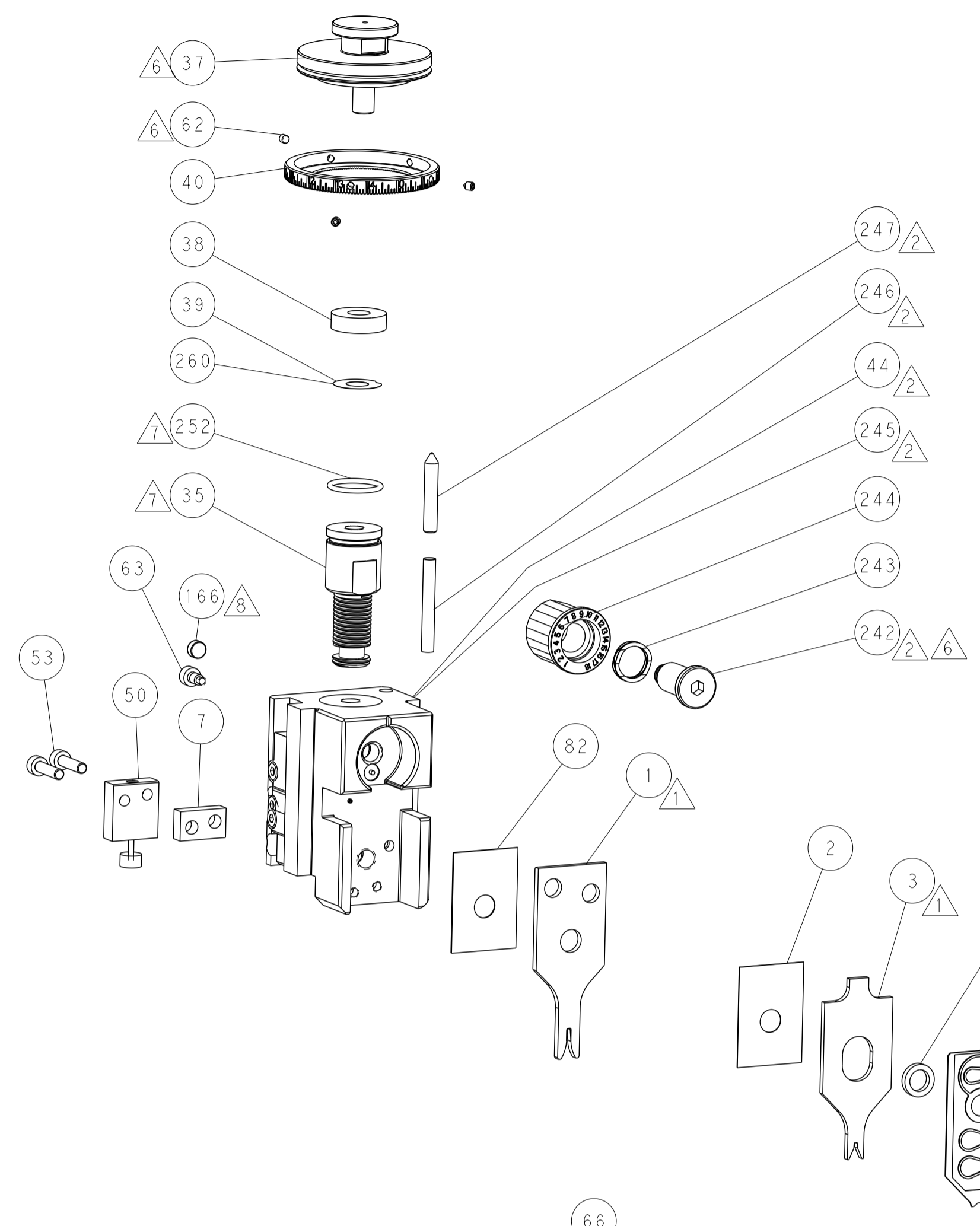
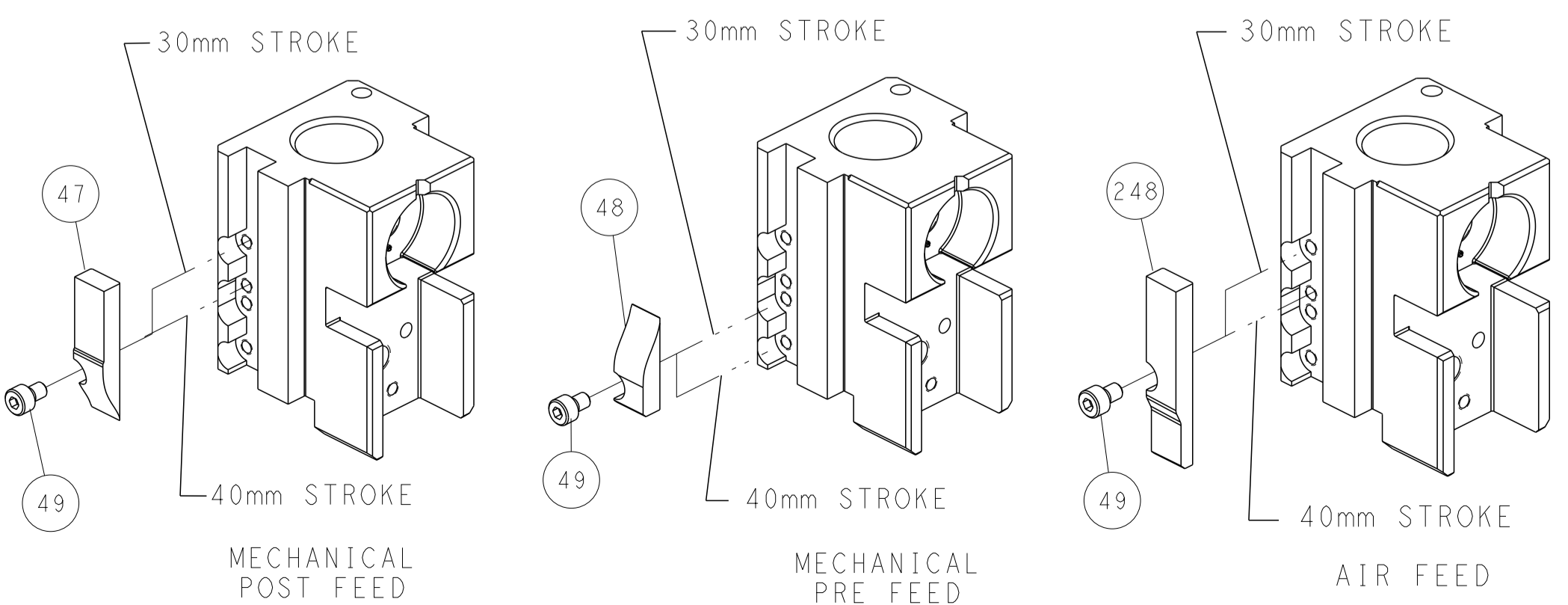
PNEUMATIC



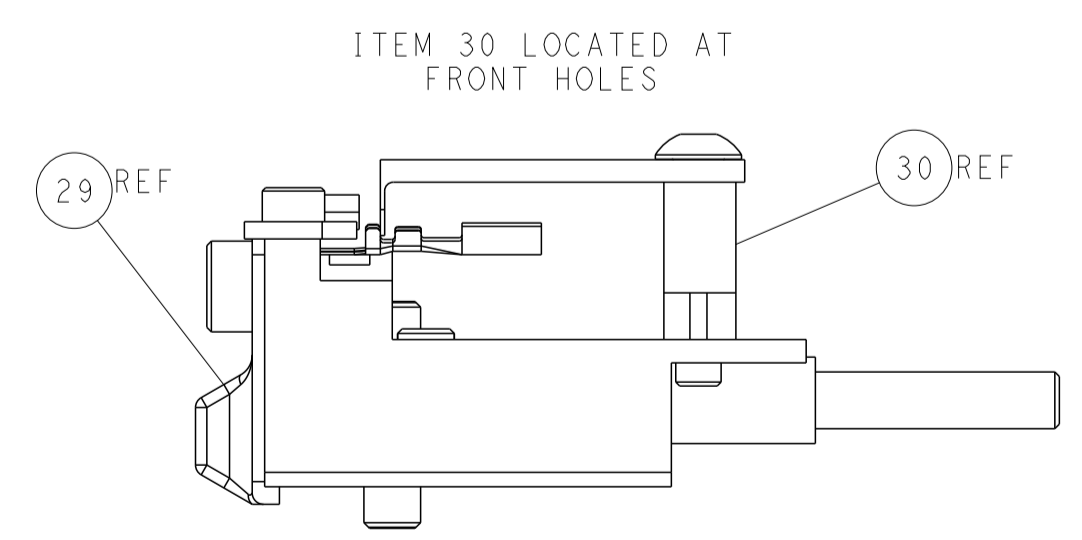
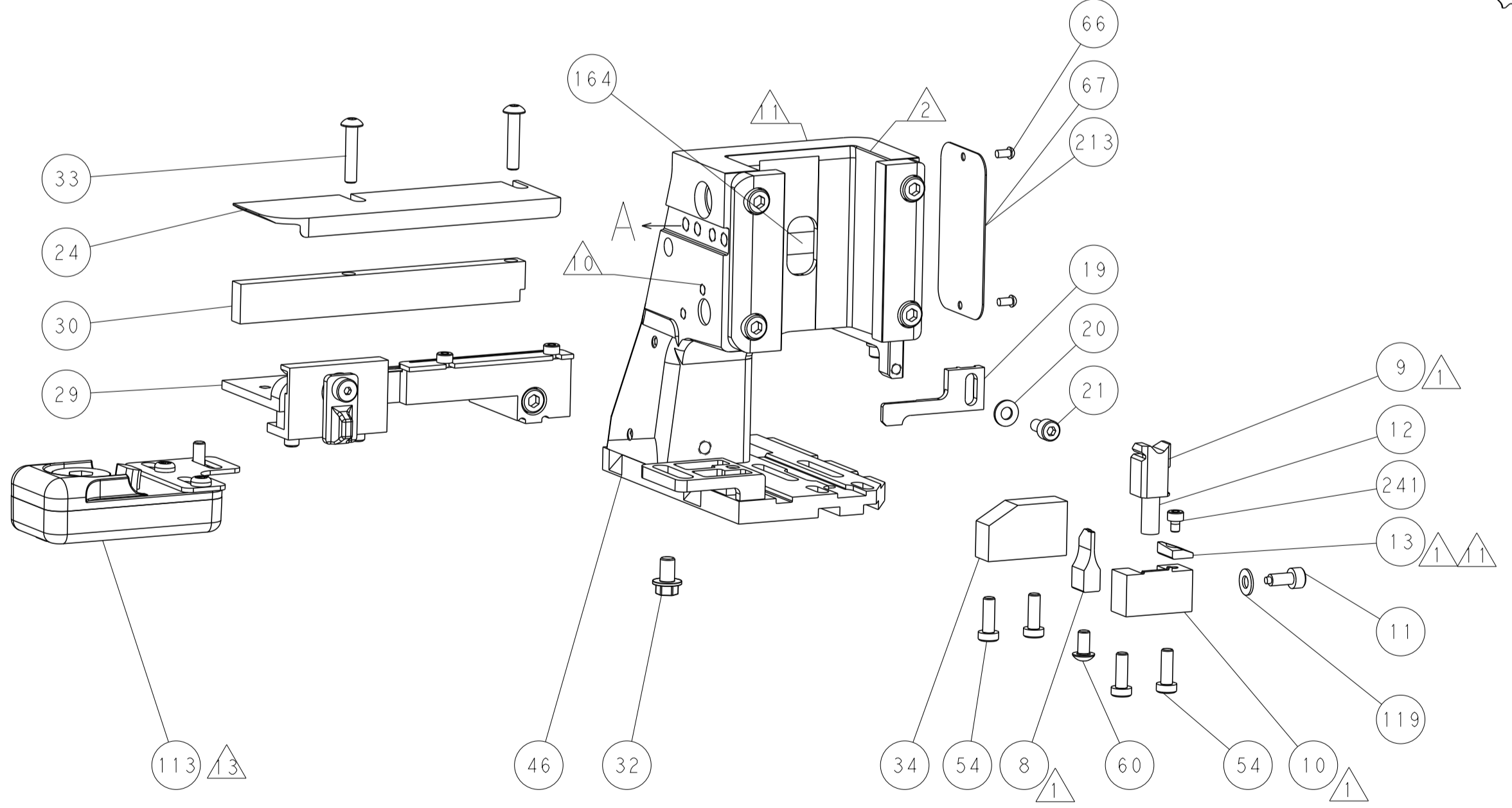
SERVO LATCH PLATE



CAM POSITIONS



TERMINAL SUPPORT LOCATION



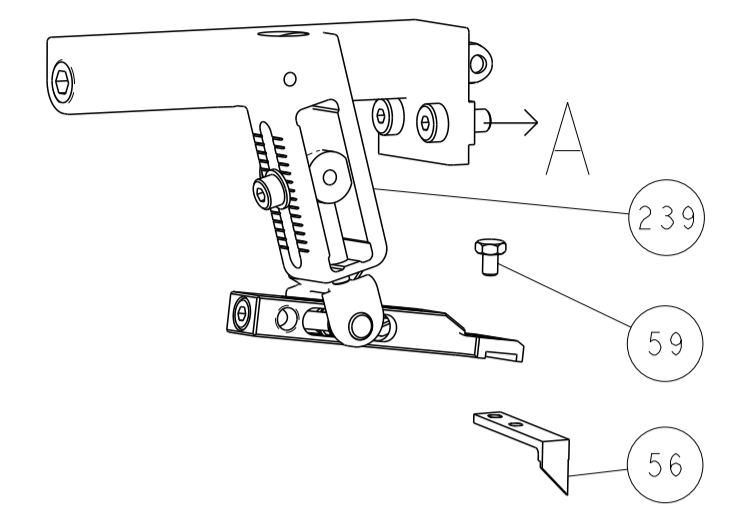
FEED TRACK POSITION GUIDE BY INSULATION BARREL

ATLANTIC VERSION
 Shown on sheets 1 of 4 & 2 of 4
 (Pacific version shown on sheets 3 of 4 & 4 of 4)

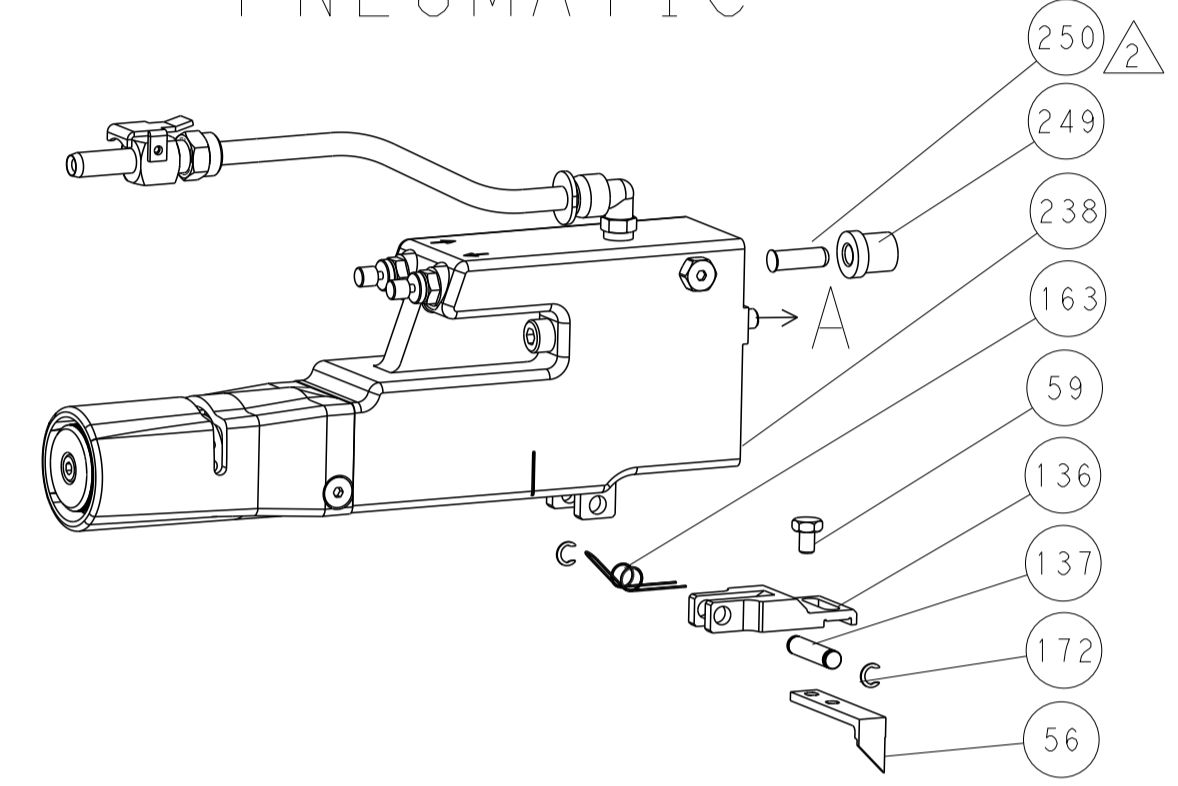
<small>THIS DRAWING IS UNPUBLISHED. RELEASED FOR PUBLICATION 2011 BY TYCO ELECTRONICS CORPORATION. ALL RIGHTS RESERVED.</small>		DWN: B. WEAVER 11OCT2011 CHK: G. HOFNER 11OCT2011 APVD: G. RILEY 11OCT2011	NAME: Ocean Side Feed Applicator SIZE: A1 CAGE CODE: 00779 DRAWING NO: 2151494 SCALE: 1:2 SHEET: 2 of 4 REV: J
DIMENSIONS: mm TOLERANCES UNLESS OTHERWISE SPECIFIED: 0 PLC ± 1 PLC ± 2 PLC ± 3 PLC ± 4 PLC ± ANGLES ± FINISH	TOLERANCES UNLESS OTHERWISE SPECIFIED: ± ± ± ± ± ±	PRODUCT SPEC: APPLICATION SPEC: WEIGHT:	RESTRICTED TO:

LOC		DIST		REVISIONS			
A	66	P	LTN	DESCRIPTION	DATE	DWN	APVD
		-		SEE SHEET 1			

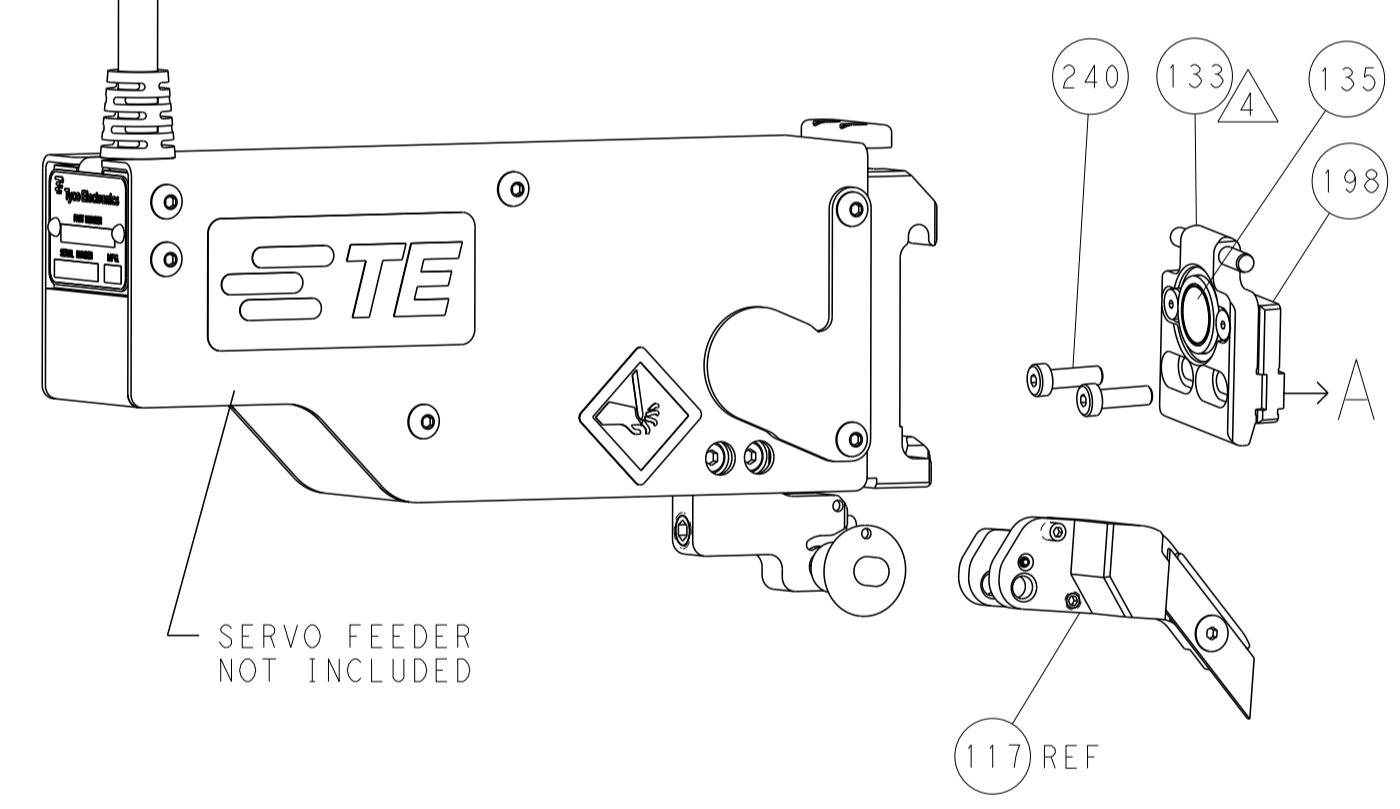
FEED TYPE MECHANICAL



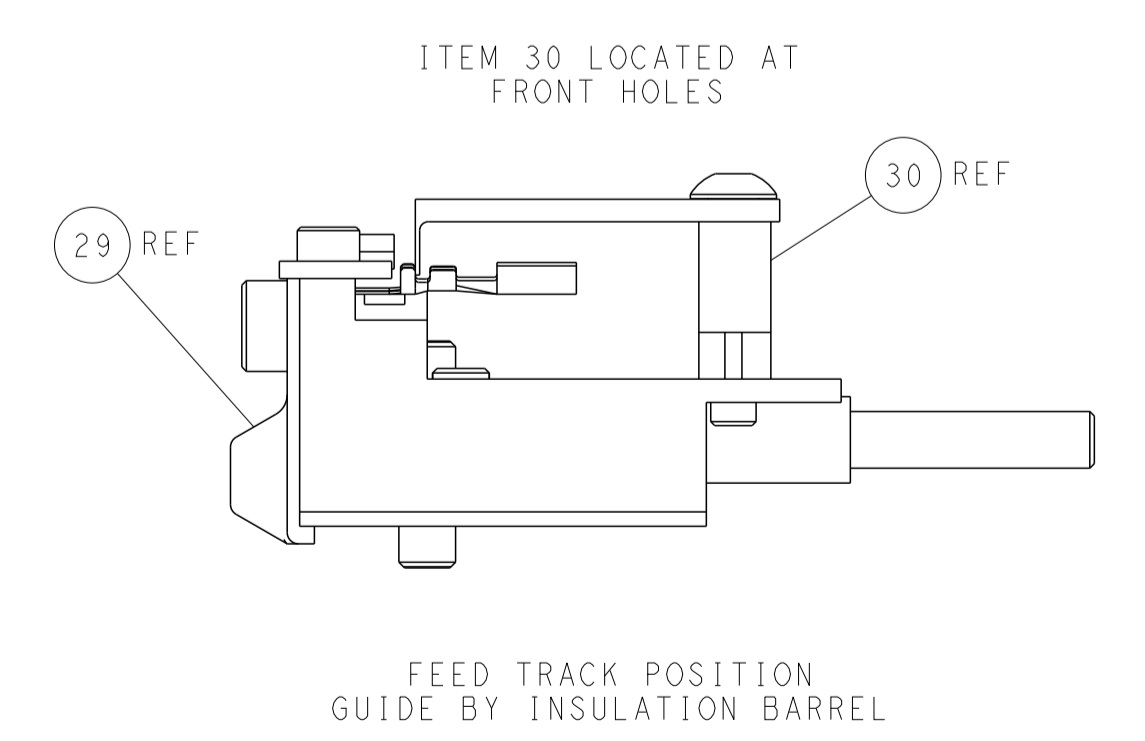
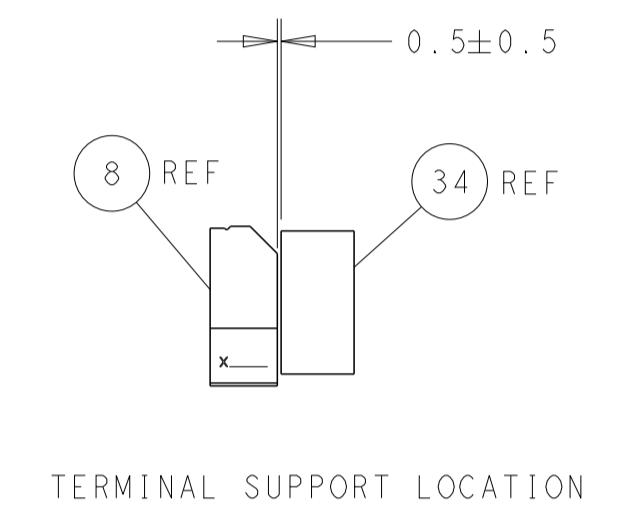
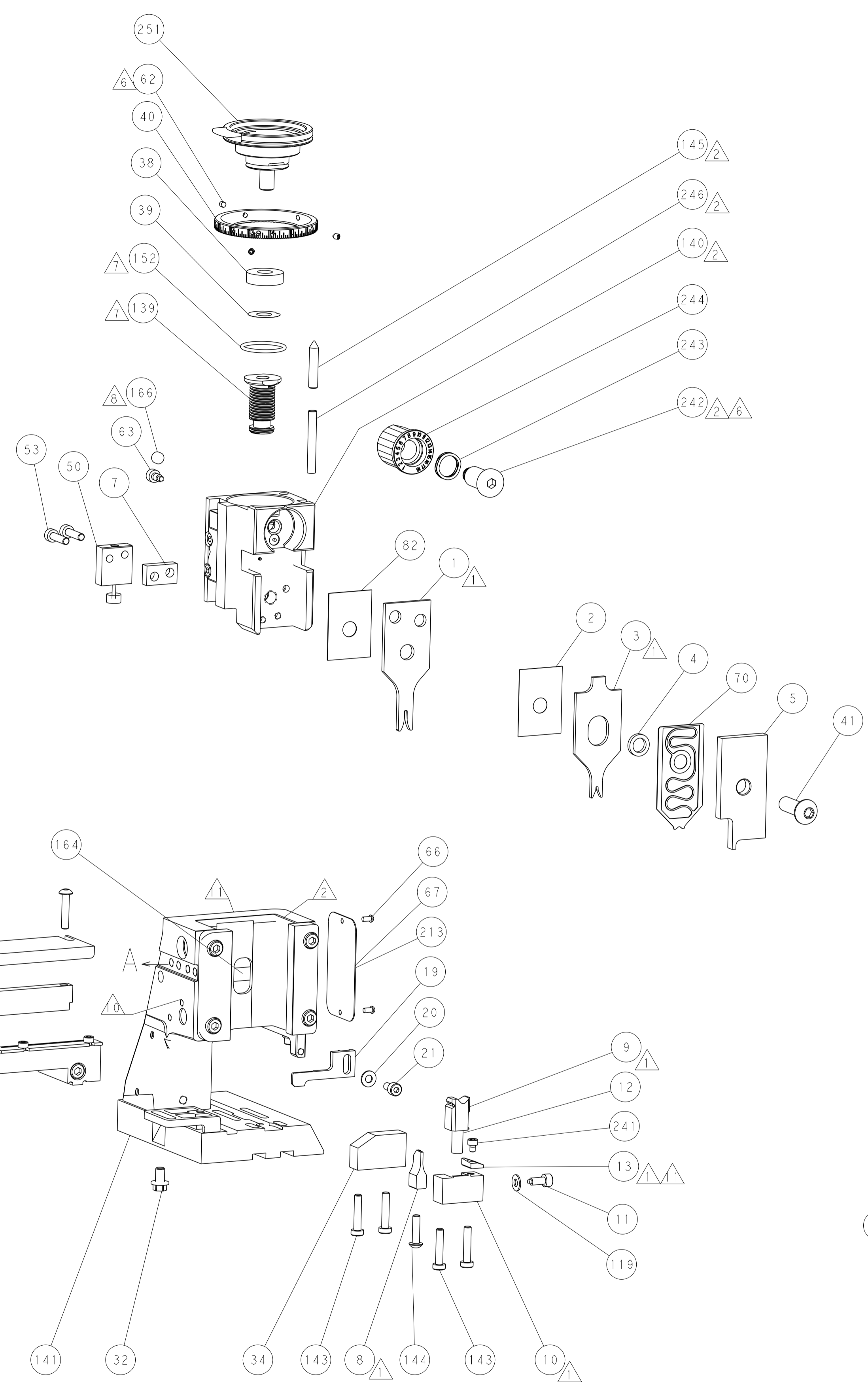
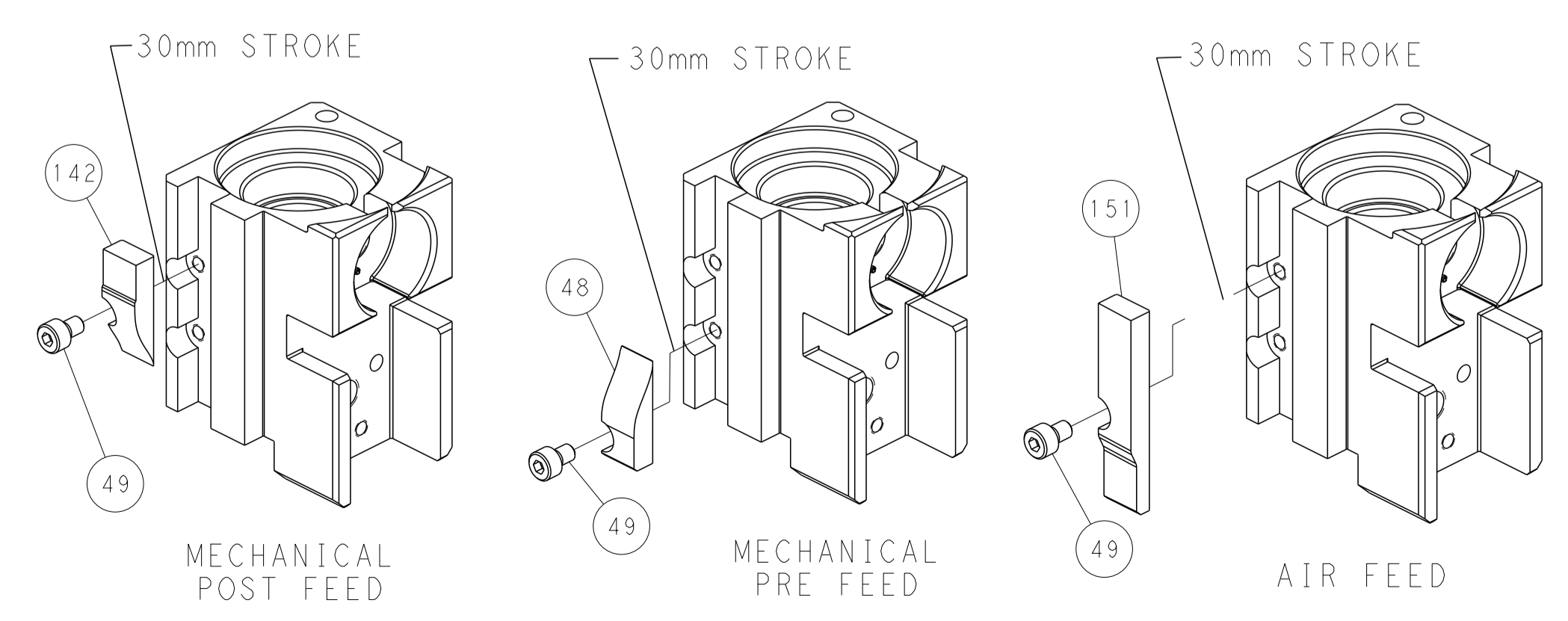
PNEUMATIC



SERVO LATCH PLATE



CAM POSITIONS



PACIFIC VERSION
 Shown on sheets 3 of 4 & 4 of 4
 (Atlantic version shown on sheets 1 of 4 & 2 of 4)

DIMENSIONS:		TOLERANCES UNLESS OTHERWISE SPECIFIED:		DWN	B. WEAVER	11OCT2011	TE Connectivity Harrisburg, PA 17105-3608
mm	0 PLC	±		CHK	G. HOFFNER	11OCT2011	
	1 PLC	±		APVD	G. RALLEY	11OCT2011	
	2 PLC	±		NAME		Ocean Side Feed Applicator	
MATERIAL:		FINISH:		APPLICATION SPEC:		RESTRICTED TO:	
				WEIGHT:		SIZE	CAGE CODE
				CUSTOMER ACCESSIBLE PRODUCTION DRAWING		SCALE	1:2
				SHEET		4	OF 4
				REV		J	