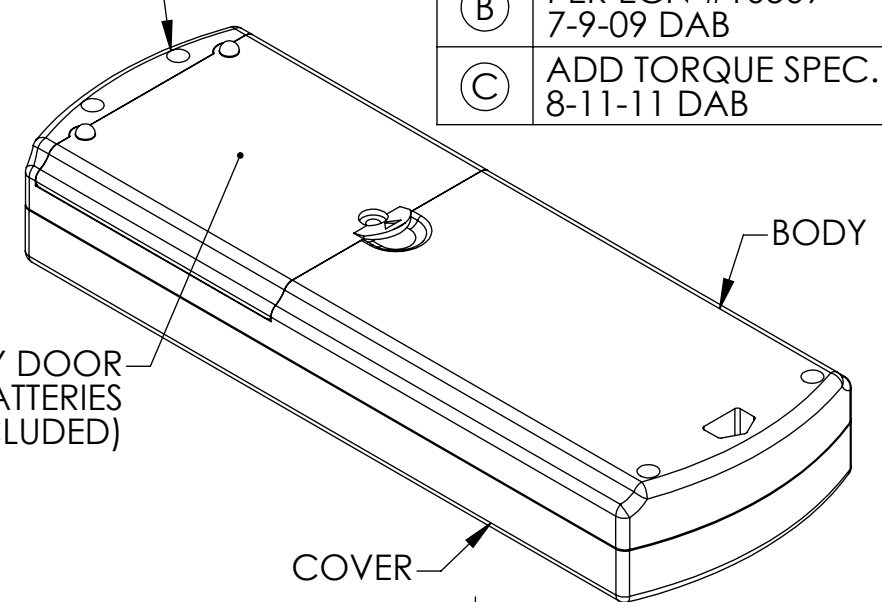
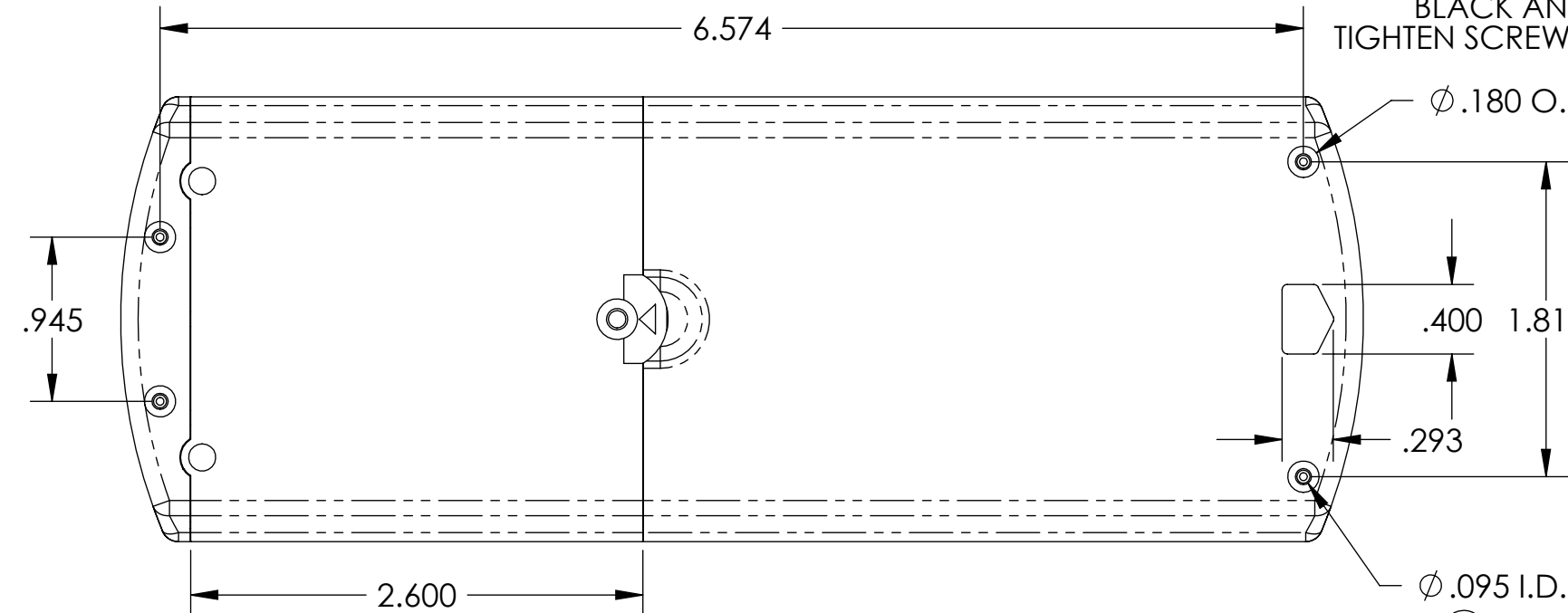


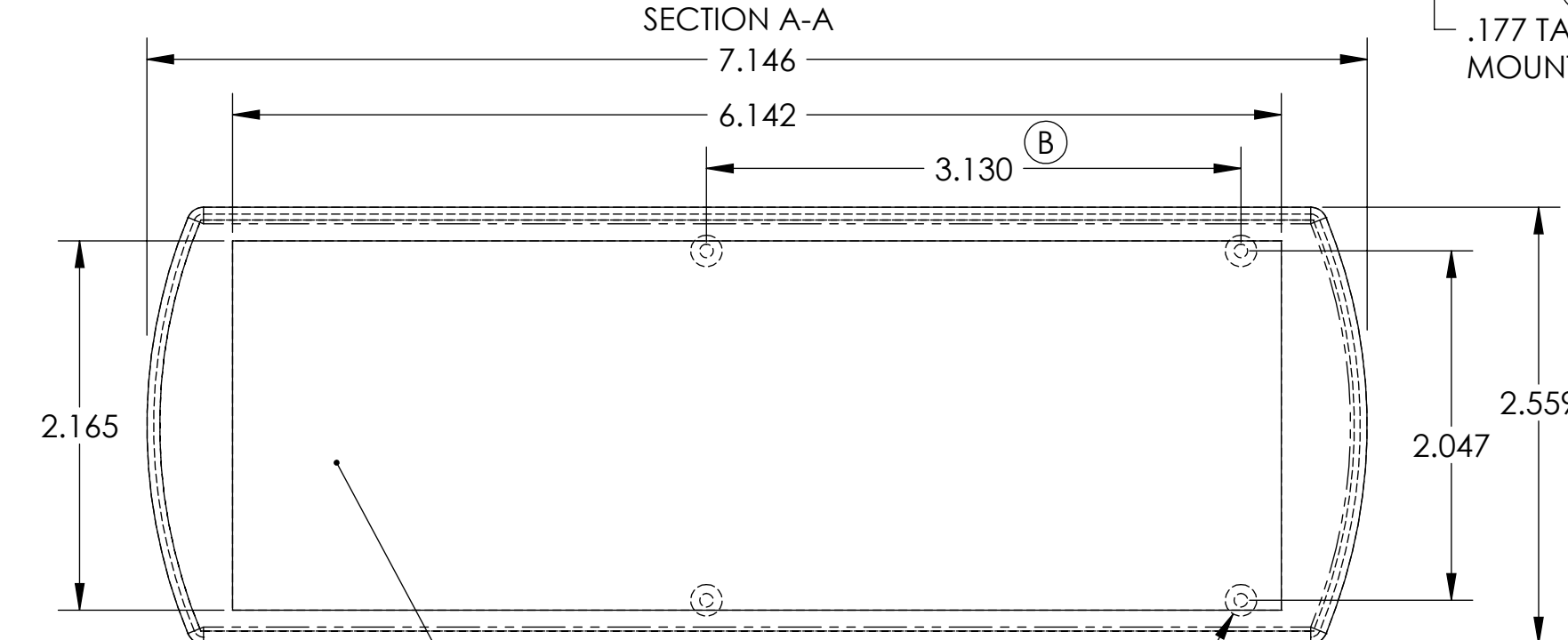
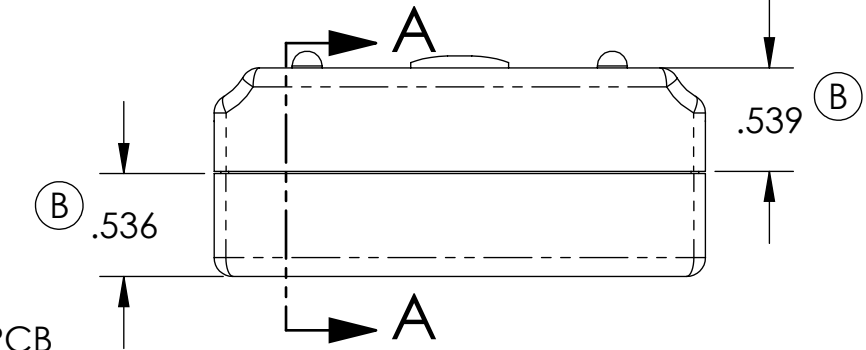
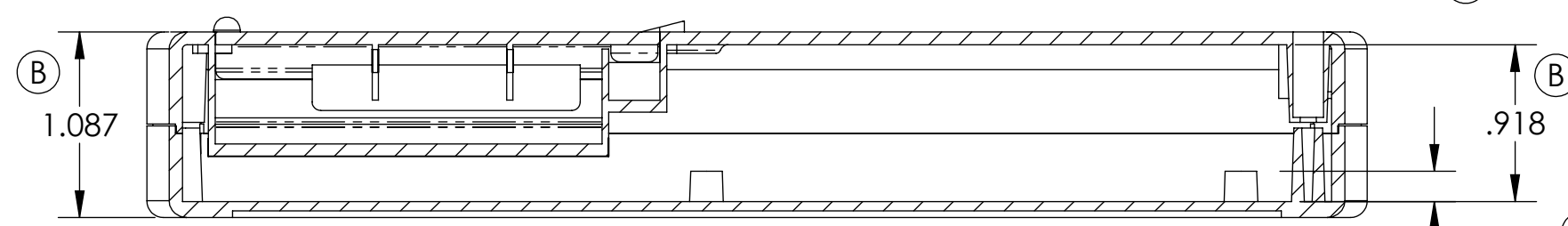
THE INFORMATION CONTAINED IN THIS DRAWING IS THE SOLE PROPERTY OF BUD INDUSTRIES INC. ANY REPRODUCTION IN PART OR WHOLE WITHOUT THE WRITTEN PERMISSION OF BUD INDUSTRIES INC. IS PROHIBITED.

DWG. NO.	HH-3570
ISSUE	REVISIONS
(A)	CHG'D MAT'L CALL-OUT 10-29-08 DAB
(B)	PER ECN #10509 7-9-09 DAB
(C)	ADD TORQUE SPEC. 8-11-11 DAB

SCREW, M2.3 x 10mm THREAD FORMING, ROUND HEAD, PHILLIPS RECESS, STEEL, BLACK ANODIZED (4 PL'S, NOT SHOWN) TIGHTEN SCREWS TO 1 IN./LBS. TORQUE MAX.



BATTERY DOOR HOLDS (4) 'AA' BATTERIES (CONTACT KIT IS INCLUDED)



MATERIAL: ABS - UL94-HB (A)
 FINISH: LIGHT TEXTURE
 COLOR: BLACK (HH-3570-B) OR LIGHT GRAY (HH-3570-G)
 PACKAGING: SHRINK WRAP WITH A SELF-ADHESIVE LABEL AFFIXED ON THE OUTSIDE.
 MAXIMUM PC BOARD SIZE: 3.50 x 2.312 (WITH MAX. 0.62 COMPONENT HEIGHT)

(B) .039 DEEP SMOOTH RECESS
 (B) .197 DIA BOSS WITH .079 DIA HOLE (4)

TOLERANCES: +/- .005 BETWEEN HOLE CENTERS +/- .015 FROM SHEARED EDGE +/- .032 FROM A BENT SURFACE +/- .062 BETWEEN ASSEMBLED SURFACES		CAD GENERATED DRAWING, DO NOT MANUALLY UPDATE	
UNLESS OTHERWISE SPECIFIED MATERIAL		APPROVALS	DATE
AS NOTED		DP	6/10/05
FINISH		CHECKED	
AS NOTED		APPROVED	
DO NOT SCALE DRAWING			

QTY.	USED ON

BUD INDUSTRIES INC.	
GRABBER STYLE J	
SIZE B	DWG. NO. HH-3570
SCALE	CAD FILE: SHEET 1 OF 1