

**PLEASE CHECK WWW.MOLEX.COM FOR LATEST PART INFORMATION**

**Part Number:** [0190090012](#)  
**Status:** **Active**  
**Description:** VibraKrimp™ Quick Disconnect Flag, Female, for 14-16 AWG Wire

**Documents:**

[Drawing \(PDF\)](#) [RoHS Certificate of Compliance \(PDF\)](#)  
[Product Specification PS-19902-005 \(PDF\)](#)

**Agency Certification**

CSA LR18689  
 UL E79133

**General**

Product Family Quick Disconnects  
 Series [19009](#)  
 Comments Wire Grip  
 Crimp Quality Equipment Yes  
 Product Name VibraKrimp™  
 Type Quick Disconnect

**Physical**

Barrel Type Closed  
 Gender Female  
 Glow-Wire Compliant No  
 Insulation None  
 Lock to Mating Part None  
 Material - Metal Brass  
 Orientation Flag  
 Packaging Type Bag  
 Polarized to Mating Part No  
 Tab Thickness 0.51mm (.020")  
 Tab Width 4.75mm (.187")  
 Temperature Range - Operating Per Wire Specification  
 Wire Insulation Diameter 3.68mm (.145") max.  
 Wire Size AWG 14, 16  
 Wire Size mm<sup>2</sup> 1.30 - 2.00

**Electrical**

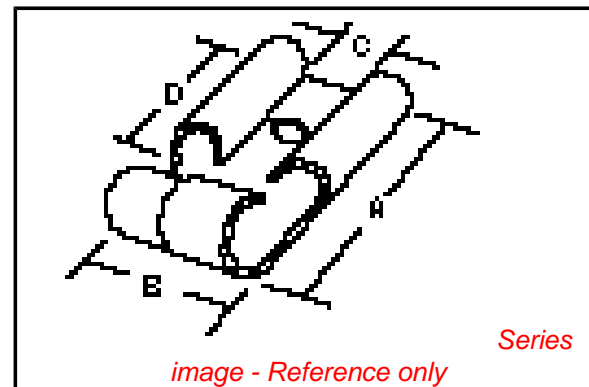
Voltage - Maximum Per Wire Specification

**Material Info**

Old Part Number BB-4171

**Reference - Drawing Numbers**

Product Specification PS-19902-005  
 Sales Drawing CDFGS187



**EU RoHS**

**ELV and RoHS Compliant**  
**REACH SVHC Contains SVHC: No**  
**Halogen-Free Status**  
**Not Reviewed**

**China RoHS**



**Need more information on product environmental compliance?**

Email [productcompliance@molex.com](mailto:productcompliance@molex.com)  
 For a multiple part number RoHS Certificate of Compliance, [click here](#)

Please visit the [Contact Us](#) section for any non-product compliance questions.

**Search Parts in this Series**

[19009Series](#)

**Application Tooling | [FAQ](#)**

*Tooling specifications and manuals are found by selecting the products below. Crimp Height Specifications are then contained in the Application Tooling Specification document.*

**Global**

Description	Product #
Hand Crimp Tool	0640034200

6

5

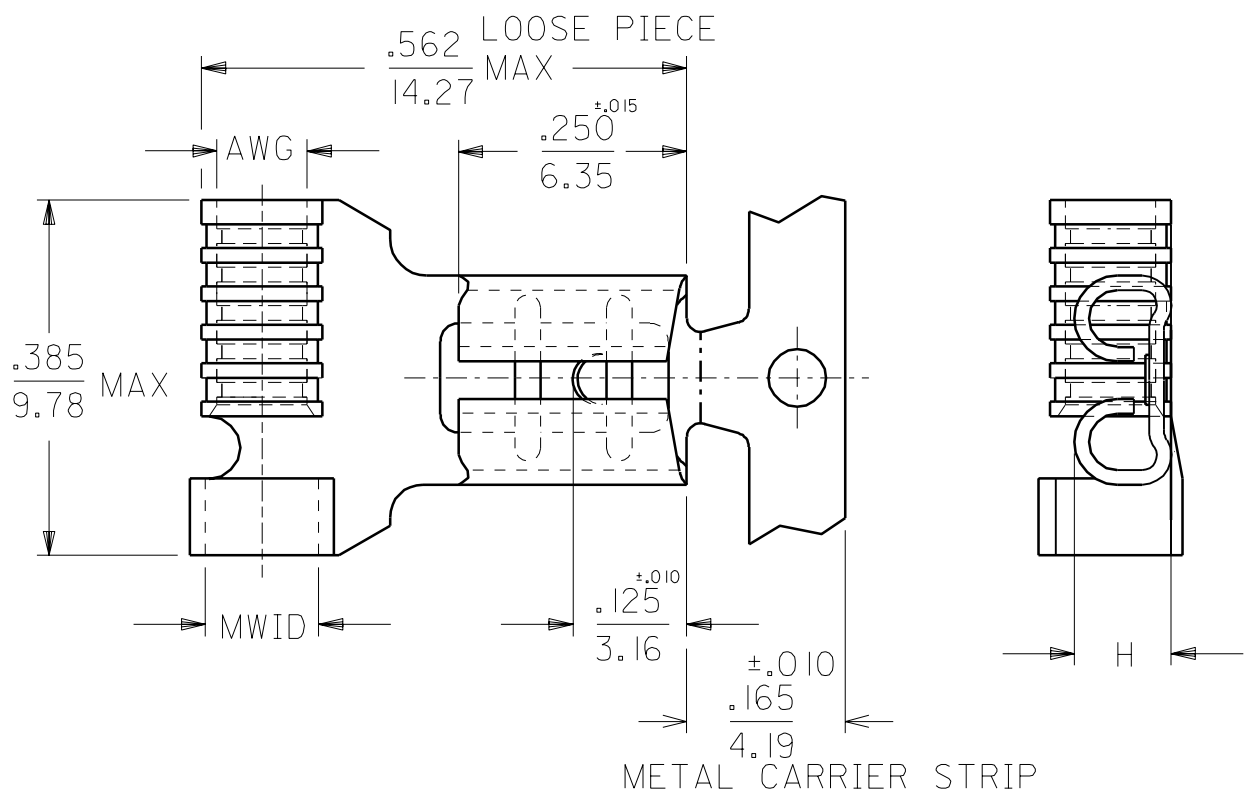
4

3

2

1

DRWG. NO. CUST. DRWG.



METAL STRIP PART NO.	LOOSE PART NO.	DIMENSIONS			
		AWG	MWID	"H" MAX	TAB SIZE
AAZ-4170	AA-4170	22-18	.135/3.43	.121/3.07	.187X.020
BBZ-4171	BB-4171	16-14	.145/3.68	.121/3.07	.187X.020
AAZ-4170-032	AA-4170-032	22-18	.135/3.43	.131/3.33	.187X.032
BBZ-4171-032	BB-4171-032	16-14	.145/3.68	.131/3.33	.187X.032

LTR.	REVISIONS

NOTES:  
1. ALL DIMENSIONS = INCHES/MM

DIMENSIONS SHOWN (METRIC) INCH	
UNLESS OTHERWISE SPECIFIED TOLERANCES: ANGULAR $\pm 1/2^\circ$	
	INCH      METRIC
3 PLACE	$\pm .005$ $\pm 0.13$
2 PLACE	$\pm .01$ $\pm 0.25$
1 PLACE	$\pm ---$ $\pm ---$
DRAFT WHERE APPLICABLE MUST REMAIN WITHIN DIMENSIONS	
DRWG. BY RM	CHK'D. BY JM
APP'D. BY FP	SCALE 5: 1

**REVISE ONLY ON CAD SYSTEM**

TITLE  
FLAG NON-INSULATED WITH INSULATION SUPPORT  
.187X.020 & .032 TAB

molex ETC INC. PINELLAS PARK, FLA. 33781 U.S.A.		SHEET NO.	DATE
PART NO.		DRWG. NO.	03/06/90

**CUST. DRWG.**

FILE NAME CDFGS187	THIS DRAWING CONTAINS INFORMATION THAT IS PROPRIETARY TO MOLEX-ETC INC. AND SHOULD NOT BE USED WITHOUT WRITTEN PERMISSION.	DIV.	SIZE A
-----------------------	--	------	-----------

6

5

4

3

2

1