

**GaAs SP4T High Power Switch  
DC - 3 GHz**

MASW-007813  
V2

**Features**

- Low Voltage Operation: 2.5 V
- Low Harmonics: < -66 dBc at +34 dBm & 1 GHz
- Low Insertion Loss: 0.7 dB at 1 GHz
- High Isolation: 25 dB at 2 GHz
- 0.5 micron GaAs PHEMT Process
- Low Profile, Lead-Free 3 mm PQFN Package
- 100% Matte Tin Plating
- Halogen-Free "Green" Mold Compound
- RoHS\* Compliant and 260°C Re-flow Compatible

**Description**

M/A-COM's MASW-007813 is a GaAs PHEMT MMIC single pole four throw (SP4T) high power switch in a low cost, low profile, lead-free 3 mm PQFN 16-lead package. The MASW-007813 is ideally suited for applications where high power, low control voltage, low insertion loss, high isolation, small size and low cost are required.

Typical applications are for GSM and DCS handset systems that connect separate transmit and receive functions to a common antenna, as well as CDMA handset and other related applications. The MASW-007813 can be used in all systems operating up to 3 GHz requiring high power at low control voltage.

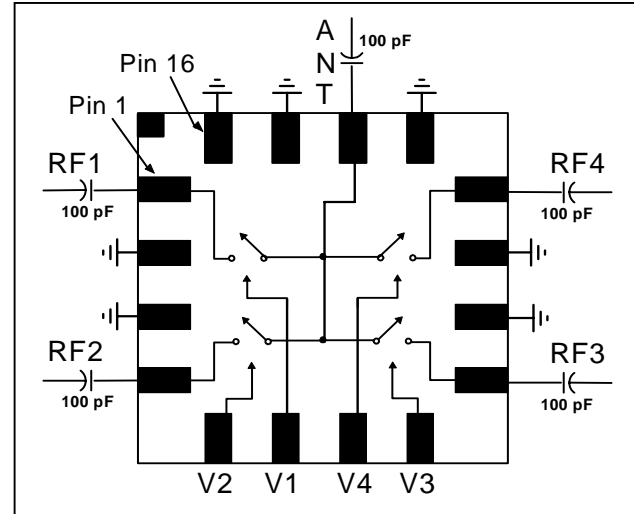
The MASW-007813 is fabricated using a 0.5 micron gate length GaAs PHEMT process. The process features full passivation for performance and reliability.

**Ordering Information <sup>1</sup>**

Part Number	Package
MASW-007813-TR3000	3000 piece reel

1. Reference Application Note M513 for reel size information.

**Functional Schematic**



**Pin Configuration**

Pin No.	Pin Name	Description
1	RF1	RF Port 1
2	GND	RF Ground
3	GND	RF Ground
4	RF2	RF Port 2
5	V2	Control 2
6	V1	Control 1
7	V4	Control 4
8	V3	Control 3
9	RF3	RF Port 3
10	GND	RF Ground
11	GND	RF Ground
12	RF4	RF Port 4
13	GND	RF Ground
14	ANT	Antenna Port
15	GND	RF Ground
16	GND	RF Ground
17	GND (paddle) <sup>2</sup>	RF Ground

2. The exposed pad centered on the package bottom must be connected to RF and DC ground.

\* Restrictions on Hazardous Substances, European Union Directive 2002/95/EC.

**GaAs SP4T High Power Switch  
DC - 3 GHz**

**MASW-007813  
V2**

**Electrical Specifications:  $T_A = 25^\circ\text{C}$ ,  $V_C = 0\text{ V} / 2.75\text{ V}$ ,  $P_{IN} = 34\text{ dBm}$ ,  $Z_0 = 50\text{ Ohms}$ <sup>3</sup>**

Parameter	Test Conditions	Units	Min.	Typ.	Max.
Insertion Loss <sup>4</sup>	DC - 1 GHz	dB	—	0.7	0.85
	1 - 2 GHz	dB	—	0.8	—
	2 - 3 GHz	dB	—	1.0	—
Isolation	DC - 1 GHz	dB	25	33	—
	1 - 2 GHz	dB	—	27	—
	2 - 3 GHz	dB	—	23	—
Return Loss	DC - 3 GHz	dB	—	20	—
P0.1dB	1 GHz	dBm	—	38	—
IP2	Two Tone, +26 dBm/Tone, 5 MHz spacing, > 50 MHz	dBm	—	96	—
IP3	Two Tone, +26 dBm/Tone, 5 MHz spacing, > 50 MHz	dBm	—	58	—
2nd Harmonic	1 GHz, Pin = +34 dBm	dBc	—	-76	-68
3rd Harmonic	1 GHz, Pin = +34 dBm	dBc	—	-68	-66
Trise, Tfall	10% to 90% RF, 90% to 10% RF	nS	—	40	—
Ton, Toff	50% Control to 90% RF, 50% Control to 10% RF	nS	—	110	—
Transients		mV	—	40	—
Control Current	$V_C = 2.75\text{ V}$	$\mu\text{A}$	—	20	80

3. For positive voltage control, external DC blocking capacitors are required on all RF ports.

4. Insertion loss can be optimized by varying the DC blocking capacitor value, e.g. 1000 pF for 100 MHz - 1 GHz, 39 pF for 0.5 GHz - 3 GHz.

**Truth Table<sup>5,6</sup>**

V1	V2	V3	V4	ANT - RF1	ANT - RF2	ANT - RF3	ANT - RF4
1	0	0	0	On	Off	Off	Off
0	1	0	0	Off	On	Off	Off
0	0	1	0	Off	Off	On	Off
0	0	0	1	Off	Off	Off	On

5. Differential voltage, V (state 1) - V (state 0), must be +2.5 V minimum and must not exceed 8.5 V.

6. 0 = -8.5 V to 0 V, 1 = -6 V to 8.5 V

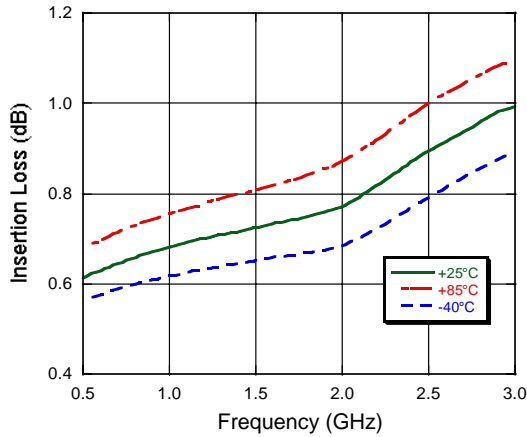
**Absolute Maximum Ratings<sup>7</sup>**

Parameter	Absolute Maximum
Max Input Power (0.5 - 3 GHz, 2.75 V Control)	+38 dBm
Operating Voltage	+8.5 volts
Operating Temperature	-40°C to +85°C
Storage Temperature	-65°C to +150°C

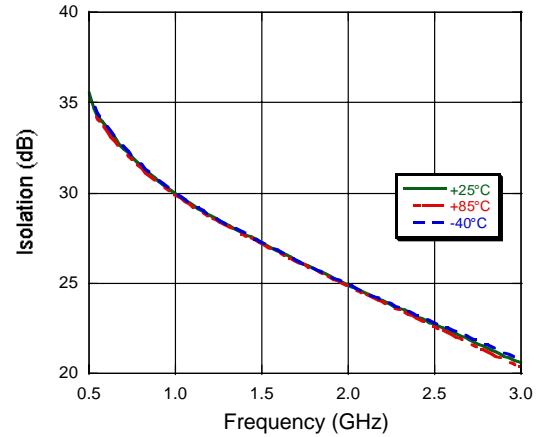
7. Exceeding any one or combination of these limits may cause permanent damage to this device.

**Typical Performance Curves**

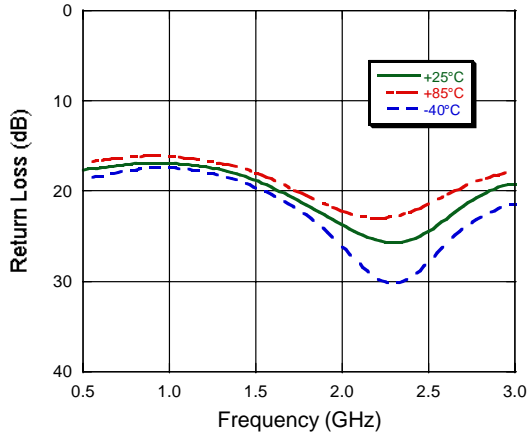
**Insertion Loss**



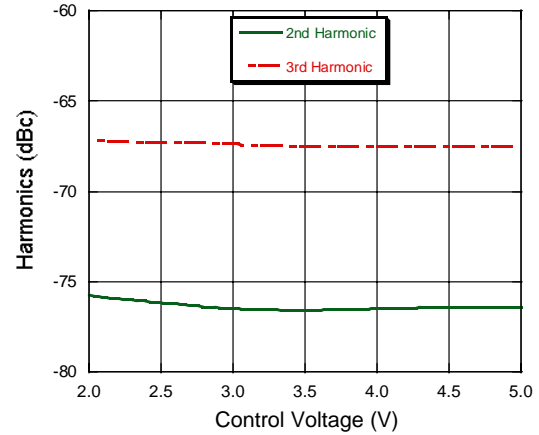
**Isolation**



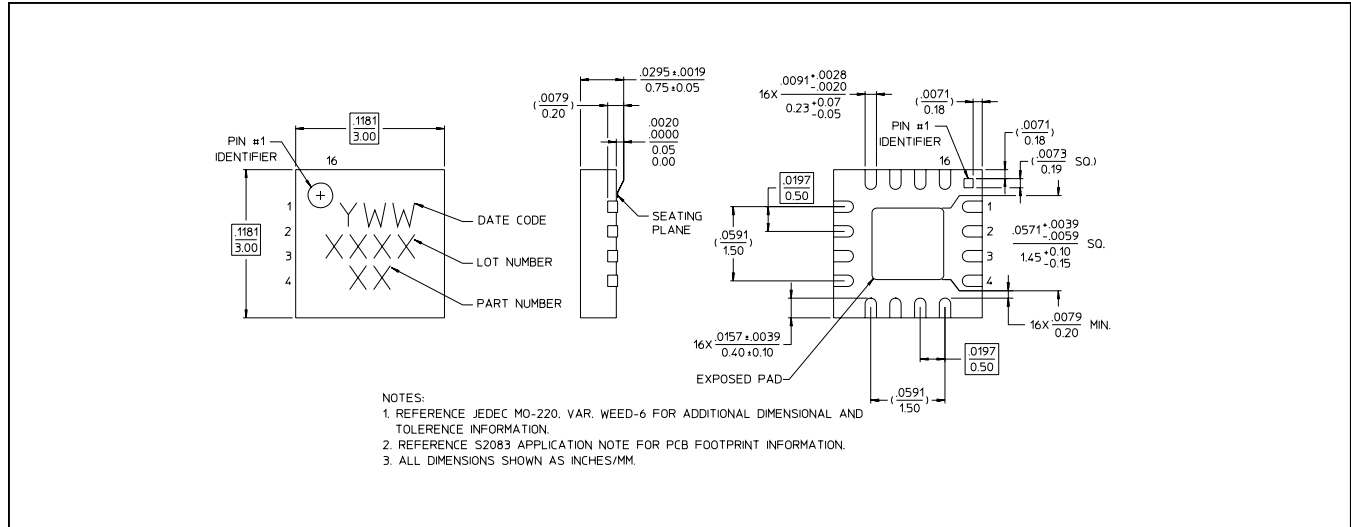
**Return Loss**



**Harmonics vs. Control Voltage, 1 GHz**



**Low Profile, Lead-Free 3 mm 16-lead PQFN †**



† Reference Application Note M538 for lead-free solder reflow recommendations.  
 Meets JEDEC moisture sensitivity level 1 requirements.

**Qualification**

Qualified to M/A-COM specification REL-201, Process Flow -2.

**Handling Procedures**

The following precautions should be observed to avoid damage:

**Static Sensitivity**

Gallium Arsenide Integrated Circuits are sensitive to electrostatic discharge (ESD) and can be damaged by static electricity. Proper ESD control techniques should be used when handling these devices.