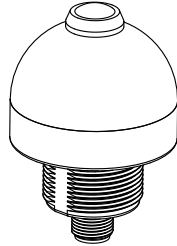
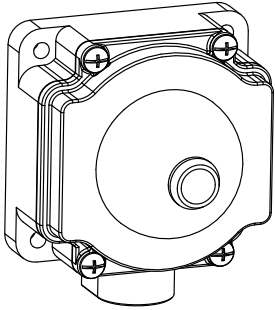


## Datasheet

Compact, Single-Point Devices for Error-Proofing of Bin-Picking Operations

To view or download the latest technical information about this product, including specifications, dimensions, accessories, and wiring, see [www.bannerengineering.com](http://www.bannerengineering.com).



- Rugged, cost-effective, and easy-to-install solutions for error-proofing and parts-verification applications
- Compact devices are completely self-contained, no controller needed
- Illuminated dome provides an easy-to-see green job light; some models also light red for alternate operation
- Push-button and passive-actuation models available
- Choose NPN or PNP output, depending on model
- Fully encapsulated IP67 construction — ideal for use in abusive environments; rated to IP69K depending on installation
- Immune to ambient light, EMI, and RFI interference
- 12 V dc to 30 V dc operation



### WARNING: Not To Be Used for Personnel Protection

Never use this device as a sensing device for personnel **protection**. Doing so could lead to serious injury or death. This device does not include the self-checking redundant circuitry necessary to allow its use in personnel safety applications. A sensor failure or malfunction can cause either an energized or de-energized sensor output condition.

## Standard Models — 1 Color

- Green job light is ON at all times while job input is active
- Presence of hand (or pressing push button) activates output

Model <sup>1</sup>	Sensing Mode/LED	Housing	Range	Output <sup>2</sup>	
K50APLPGXDQ	Polarized retroreflective, visible red, 680 nm	50 mm (1.9 in) dome, 30 mm (1.1 in) mount, polycarbonate	2 m (6 ft)	PNP, N.O.	
K50RPLPGXDQ				PNP, N.C.	
K50ANLPGXDQ				NPN, N.O.	
K50RNLPGXDDQ				NPN, N.C.	
K50APFF50GXDDQ	Fixed field, infrared, 880 nm		50 mm (1.9 in) cutoff	PNP, N.O.	
K50RPFF50GXDDQ				PNP, N.C.	
K50ANFF50GXDDQ				NPN, N.O.	
K50RNFF50GXDDQ				NPN, N.C.	
K50APFF100GXDDQ				100 mm (3.9 in) cutoff	PNP, N.O.
K50RPFF100GXDDQ					PNP, N.C.
K50ANFF100GXDDQ					NPN, N.O.
K50RNFF100GXDDQ					NPN, N.C.
K50APPBGXDQ	Push button	—	PNP, N.O.		

<sup>1</sup> Integral 4-pin M12/Euro-style quick disconnect models are listed.

- To order the 2 m (6.5 ft) PVC cable model, omit the suffix "Q" in the model number. For example, K50APLPGXD.
- To order the 9 m (30 ft) PVC cable model, replace the suffix "Q" with "W/30" in the model number. For example, K50APLPGXD W/30.
- To order the 150 mm (6 in) PVC cable model with a 4-pin M12/Euro-style quick disconnect, replace the suffix "Q" with "QP" in the model number. For example, K50APLPGXDQP.
- Models with a quick disconnect require a mating cordset.

<sup>2</sup> N.O. = Normally Open; N.C. = Normally Closed



Model <sup>1</sup>	Sensing Mode/LED	Housing	Range	Output <sup>2</sup>
K50RPPBGXDQ				PNP, N.C.
K50ANPBGXDQ				NPN, N.O.
K50RNPBGXDQ				NPN, N.C.
K80APPBGXDQ		50 mm (1.9 in) dome, Flat or DIN- mount, polycarbonate		PNP, N.O.
K80RPPBGXDQ				PNP, N.C.
K80ANPBGXDQ				NPN, N.O.
K80RNPBGXDQ				NPN, N.C.

## C-Series Models — 2 Colors

- Job light is green at all times while job input is active (unless hand is present)
- Presence of hand (or pressing push button) activates output and overrides job light (turns red) for visual verification that action was sensed
- Retroreflective models: To simplify alignment, sensor provides red signal when retroreflective target is not correctly aligned

Model <sup>1</sup>	Sensing Mode/LED	Housing	Range	Output <sup>2</sup>	
K50APLPGRCQ	Polarized retroreflective, visible red, 680 nm	50 mm (1.9 in) dome, 30 mm (1.1 in) mount, polycarbonate	2 m (6 ft)	PNP, N.O.	
K50RPLPGRCQ				PNP, N.C.	
K50ANLPGRCQ				NPN, N.O.	
K50RNLPGRQC				NPN, N.C.	
K50APFF50GRCQ	Fixed field infrared, 880 nm		50 mm (1.9 in) dome, 30 mm (1.1 in) mount, polycarbonate	50 mm (1.9 in) cutoff	PNP, N.O.
K50RPF50GRCQ					PNP, N.C.
K50ANFF50GRCQ					NPN, N.O.
K50RNFF50GRCQ					NPN, N.C.
K50APFF100GRCQ			50 mm (1.9 in) dome, Flat or DIN- mount, polycarbonate	100 mm (3.9 in) cutoff	PNP, N.O.
K50RPF100GRCQ					PNP, N.C.
K50ANFF100GRCQ					NPN, N.O.
K50RNFF100GRCQ					NPN, N.C.
K50APPBGRCQ	Push button		—	PNP, N.O.	
K50RPPBGRCQ				PNP, N.C.	
K50ANPBGRCQ				NPN, N.O.	
K50RNPBGRCQ				NPN, N.C.	
K80APPBGRCQ		50 mm (1.9 in) dome, Flat or DIN- mount, polycarbonate		PNP, N.O.	
K80RPPBGRCQ				PNP, N.C.	
K80ANPBGRCQ				NPN, N.O.	
K80RNPBGRCQ				NPN, N.C.	

<sup>1</sup> Integral 4-pin M12/Euro-style quick disconnect models are listed.

- To order the 2 m (6.5 ft) PVC cable model, omit the suffix "Q" in the model number. For example, K50APLPGXD.
- To order the 9 m (30 ft) PVC cable model, replace the suffix "Q" with "W/30" in the model number. For example, K50APLPGXD W/30.
- To order the 150 mm (6 in) PVC cable model with a 4-pin M12/Euro-style quick disconnect, replace the suffix "Q" with "QP" in the model number. For example, K50APLPGXDQP.
- Models with a quick disconnect require a mating cordset.

<sup>2</sup> N.O. = Normally Open; N.C. = Normally Closed

## E-Series Models — 2 Colors

- Job light is green at all times while job input is active
- Presence of hand (or pressing push button) activates output
- Presence of hand (or pressing push button) while job input is inactive causes unit to light red, providing visual verification that sensor is functioning properly

Model <sup>1</sup>	Sensing Mode / LED	Housing	Range	Output <sup>2</sup>	
K50APLPGREQ	Polarized retroreflective, visible red, 680 nm	50 mm (1.9 in) dome, 30 mm (1.1 in) mount, polycarbonate	2 m (6 ft)	PNP, N.O.	
K50RPLPGREQ				PNP, N.C.	
K50ANLPGREQ				NPN, N.O.	
K50RNLPREQ				NPN, N.C.	
K50APFF50GREQ	Fixed field infrared, 880 nm		50 mm (1.9 in) dome, 30 mm (1.1 in) mount, polycarbonate	50 mm (1.9 in) cutoff	PNP, N.O.
K50RPF50GREQ					PNP, N.C.
K50ANFF50GREQ					NPN, N.O.
K50RNFF50GREQ					NPN, N.C.
K50APFF100GREQ				100 mm (3.9 in) cutoff	PNP, N.O.
K50RPF100GREQ					PNP, N.C.
K50ANFF100GREQ					NPN, N.O.
K50RNFF100GREQ					NPN, N.C.
K50APPBGREQ	Push button	50 mm (1.9 in) dome, 30 mm (1.1 in) mount, polycarbonate	—	PNP, N.O.	
K50RPPBGREQ				PNP, N.C.	
K50ANPBGREQ				NPN, N.O.	
K50RNPBGREQ				NPN, N.C.	
K80APPBGREQ		50 mm (1.9 in) dome, Flat or DIN- mount, polycarbonate		PNP, N.O.	
K80RPPBGREQ				PNP, N.C.	
K80ANPBGREQ				NPN, N.O.	
K80RNPBGREQ				NPN, N.C.	

## Overview

The K50 & K80 Pick-to-Light Sensors are suited to many part assembly and bin picking (pick-to-light) applications.

The entire translucent dome provides the green job light or other indication (depending on model), for high visibility. The solid-state output easily interfaces to a system controller, which is pre-programmed for a specific sequence of tasks. Mounted in or near each bin in an assembler's work station, the sensor job light signals the assembler:

- Which bins contain items to be picked in a given operation; and
- In what order they should be picked.

As the assembler takes a part in sequence, the K50 or K80 senses a hand in the bin and its output sends a signal to the controller. (For push-button models, the sensing occurs when the button is pushed. For other models, no action other than reaching for the part is required for the sensor to detect when a pick is made.)

The system controller then verifies if the correct part was taken and may respond by turning that job light OFF and activating the job light of the next bin in the sequence. If multiple parts are to be removed from one bin, the job light may remain ON until the appropriate number of signals is returned to the controller. If an incorrect part is selected, the control system may be wired to signal an alarm for the assembler and/or a supervisor, or it may be programmed to interpret the action as a call for parts.

The job light system results in increased efficiency (due to simplified job training), increased quality control (no skipped components), and reduced rework and inspections. It speeds the resumption of work after breaks and other distractions and is ideal for multilingual workplaces where communication is an issue.

The fixed-field and retroreflective-mode models require no interaction to operate, and so eliminate the hand, wrist, and arm stresses associated with mechanical push buttons. All models are immune to EMI, RFI, and ambient light interference. The polycarbonate and nylon housing is capable of absorbing high impact (even at low temperatures) and is resistant to abrasion and to damage by most chemicals. Its domed construction allows most dust and debris to slide easily off the sensor housing, simplifying maintenance. The 30 mm threaded base on all models provides easy mounting. Indicator behavior is shown in the table below.

## Indicator and Output Behavior



Note: "D," "C," and "E" Series models as referenced in the table pertain to a part of the product model number, immediately preceding the Q designation.

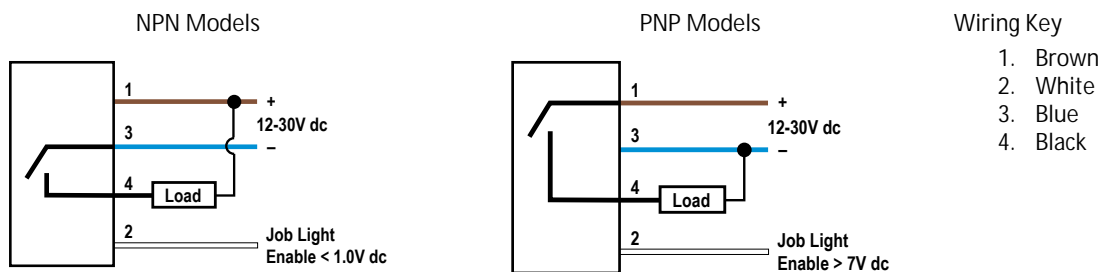
Models	Sensor <b>Conditions</b>		Job Light	Alternate Indicator	Output Signal Status
Standard (D-Series)	Job input active	Hand/pick absent	ON Green	—	OFF
		Hand/pick present	ON Green	—	ON
	No job input	Hand/pick absent	—	—	OFF
		Hand/pick present	—	—	ON
C-Series	Job input active	Hand/pick absent	ON Green	—	OFF
		Hand/pick present	—	ON Red	ON
	No job input	Hand/pick absent	OFF	OFF	OFF
		Hand/pick present	—	ON Red	ON
E-Series	Job input active	Hand/pick absent	ON Green	—	OFF
		Hand/pick present	ON Green	—	ON
	No job input	Hand/pick absent	OFF	—	OFF
		Hand/pick present	—	ON Red	ON

## Installation

For push-button models, install the sensor at such a height and in a location that will be easy for the user and/or supervisor to see the indicator and will be comfortable for the user to press the push-button.

For other models, install the sensor in a location that will be comfortable for the user to break the beam when reaching for the required part. When multiple sensors will be located in close proximity, to monitor multiple bins for example, mount all the sensors in a similar sensing position (all mounted at the tops of the bins and pointing down, for example). This may reduce potential optical crosstalk, where one sensor detects another sensor's beam.

## Wiring Diagrams



Note: Cabled wiring diagrams are shown. Quick disconnect (QD) wiring diagrams are functionally identical.

## Specifications

### Supply Voltage and Current

- 12 V dc to 30 V dc (10% max. ripple)
- < 75 mA max current at 12 V dc (exclusive of load)
- < 40 mA max. current at 30 V dc (exclusive of load)

### Supply Protection Circuitry

Protected against transient voltages (fast-transient and over-voltage) and reverse polarity

### Output Configuration

1 current NPN transistor or 1 current PNP transistor, depending on model

### Output Rating

- Max load: 150 mA
- ON-state **saturation** voltage: < 2 V dc at 10 mA dc; < 2.5 V dc at 150 mA
- OFF-state leakage current: < 10 µA at 30 V dc

### Output Protection Circuitry

Protected against false pulse on power-up and continuous overload or short-circuit of output

### Output Response Time

3 milliseconds ON and OFF

### Power-Up Output Delay Time

100 ms

### EMI/RFI Immunity

Immune to EMI and RFI noise sources, per IEC 947-5-2

### Environmental Rating

- Fully encapsulated; IEC IP67
- Integral QD models: DIN 40050 (IP69K) when using IP679K-rated cables
- Cabled models: IP69K when mounted with conduit
- K50 models only: NEMA/UL Type 4X, 13

### Operating Conditions

- 40 °C to +50 °C (-40 °F to +122 °F)
- 90% at +50 °C maximum relative humidity (non-condensing)

### Certifications



### Construction

- Base: Polycarbonate
- Translucent dome: Polycarbonate
- Push **button**: Thermoplastic
- Lens: Polycarbonate or acrylic

### Connections

Integral 4-pin M12/Euro-style quick disconnect fitting, PVC-jacketed 2 m (6.5 ft) or 9 m (30 ft) cable, or 150 mm (5.9 in) PVC cable with 4-pin M12/Euro-style QD fitting, depending on model  
Mating cable required for models with quick disconnect  
QPMA-style PUR cabled models are also available; contact Banner Engineering for more information

### Ambient Light Immunity

Up to 5,000 lux

### Indicators

Entire translucent dome provides indicator light; either Job or Pick Sensed indicator inhibits the other light, depending on model  
Job "Pick" Indicator: Green  
Pick Sensed Indicator: Red or OFF, depending on model

### Job Light Enable Input

- Input Impedance: 8000 ohms
- PNP: Input low < 1.0 V
- NPN: Input high > 7 V

### Required Overcurrent Protection



**WARNING:** Electrical connections must be made by qualified personnel in accordance with local and national electrical codes and regulations.

Overcurrent protection is required to be provided by end product application per the supplied table.

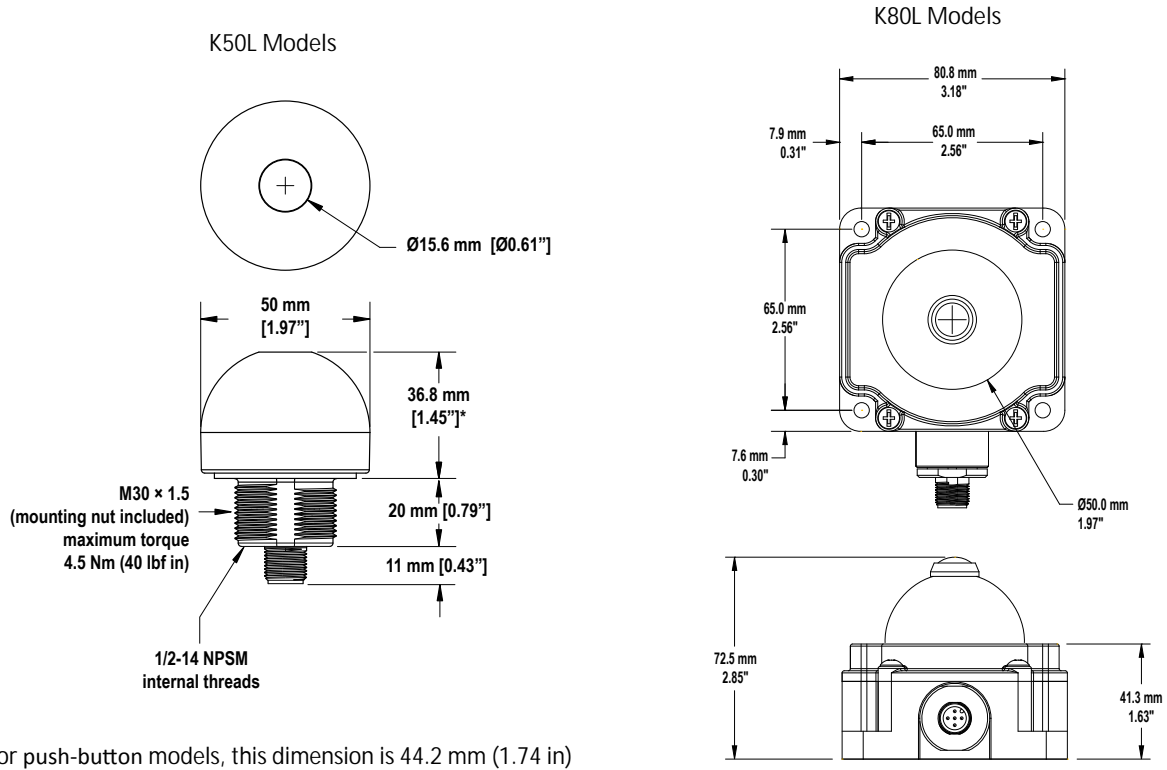
Overcurrent protection may be provided with external fusing or via Current Limiting, Class 2 Power Supply.

Supply wiring leads < 24 AWG shall not be spliced.

For additional product support, go to [www.bannerengineering.com](http://www.bannerengineering.com).

Supply Wiring (AWG)	Required Overcurrent Protection (Amps)
20	5.0
22	3.0
24	2.0
26	1.0
28	0.8
30	0.5

## Dimensions



## Accessories

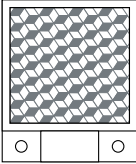
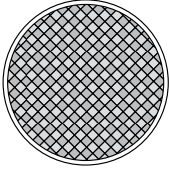
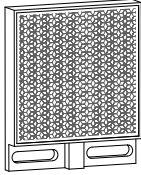

### Cordsets

4-Pin Threaded M12/Euro-Style Cordsets				
Model	Length	Style	Dimensions	Pinout (Female)
MQDC-406	1.83 m (6 ft)	Straight		<p>1 = Brown 2 = White 3 = Blue 4 = Black</p>
MQDC-415	4.57 m (15 ft)			
MQDC-430	9.14 m (30 ft)			
MQDC-450	15.2 m (50 ft)			
MQDC-406RA	1.83 m (6 ft)	Right-Angle		
MQDC-415RA	4.57 m (15 ft)			
MQDC-430RA	9.14 m (30 ft)			
MQDC-450RA	15.2 m (50 ft)			

### Retroreflective Targets



Note: For a complete selection of retroreflective targets, see [www.bannerengineering.com](http://www.bannerengineering.com).

<p><b>BRT-35X35B</b></p> <ul style="list-style-type: none"> <li>• Square, acrylic target</li> <li>• Reflectivity Factor: 1.3</li> <li>• Temperature: -20 °C to +60 °C (-4 °F to +140 °F)</li> <li>• Approximate size: 35 mm × 35 mm</li> </ul> 	<p><b>BRT-50D</b></p> <ul style="list-style-type: none"> <li>• Round, acrylic target with mounting stud</li> <li>• Reflectivity factor: 1.0</li> <li>• Temperature: -20 °C to +60 °C (-4 °F to +140 °F)</li> <li>• Optional brackets are available</li> <li>• Size: 50.8 mm diameter</li> </ul> 
<p><b>BRT-2X2</b></p> <ul style="list-style-type: none"> <li>• Square, acrylic target</li> <li>• Reflectivity factor: 1.0</li> <li>• Max. temperature: +50 °C (+122 °F)</li> <li>• Optional brackets are available</li> <li>• Approximate size: 51 mm × 51 mm</li> </ul> 	<p><b>BRT-100X18A</b></p> <ul style="list-style-type: none"> <li>• Rectangular, acrylic target</li> <li>• Reflectivity factor: 1.4</li> <li>• Temperature: -20 °C to +60 °C (-4 °F to +140 °F)</li> <li>• Approximate size: 18.5 mm × 120 mm</li> </ul> 

### Retroreflective Tape

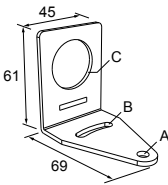
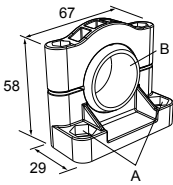


Note: For maximum adhesion of all tape products, surfaces must be clean.

Model	Reflectivity Factor	Maximum Temperature	Size
BRT-THG-1-100	0.7	+60 °C (+140 °F)	25 mm (1 in) wide, 2.5 m (100 in) long
BRT-THG-2-100	0.7	+60 °C (+140 °F)	50 mm (2 in) wide, 2.5 m (100 in) long
BRT-THG-3-100	0.7	+60 °C (+140 °F)	75 mm (3 in) wide, 2.5 m (100 in) long

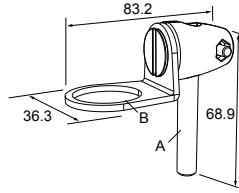
### Mounting Brackets

All measurements in mm

<p><b>SMB30A</b></p> <ul style="list-style-type: none"> <li>• Right-angle bracket with curved slot for versatile orientation</li> <li>• Clearance for M6 (¼ in) hardware</li> <li>• Mounting hole for 30 mm sensor</li> <li>• 12-ga. stainless steel</li> </ul>  <p>Hole center spacing: A to B=40 Hole size: A=ø 6.3, B= 27.1 x 6.3, C=ø 30.5</p>	<p><b>SMB30SC</b></p> <ul style="list-style-type: none"> <li>• Swivel bracket with 30 mm mounting hole for sensor</li> <li>• Black reinforced thermoplastic polyester</li> <li>• Stainless steel mounting and swivel locking hardware included</li> </ul>  <p>Hole center spacing: A=ø 50.8 Hole size: A=ø 7.0, B=ø 30.0</p>
---	---

## SMB30FA

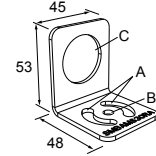
- Swivel bracket with tilt and pan movement for precise adjustment
- Mounting hole for 30 mm sensor
- 12-ga. 304 stainless steel
- Easy sensor mounting to extrude rail T-slot
- Metric and inch size bolt available



Bolt thread: SMB30FA, A= 3/8 - 16 x 2 in; SMB30FAM10, A= M10 - 1.5 x 50  
Hole size: B=  $\varnothing$  30.1

## SMBAMS30RA

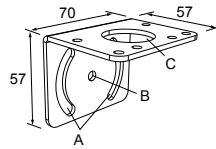
- Right-angle SMBAMS series bracket
- 30 mm hole for mounting sensors
- Articulation slots for 90°+ rotation
- 12-ga. (2.6 mm) cold-rolled steel



Hole center spacing: A=26.0, A to B=13.0  
Hole size: A=26.8 x 7.0, B= $\varnothing$  6.5, C= $\varnothing$  31.0

## SMB30MM

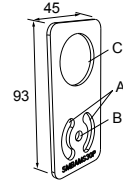
- 12-ga. stainless steel bracket with curved mounting slots for versatile orientation
- Clearance for M6 (1/4 in) hardware
- Mounting hole for 30 mm sensor



Hole center spacing: A = 51, A to B = 25.4  
Hole size: A = 42.6 x 7, B =  $\varnothing$  6.4, C =  $\varnothing$  30.1

## SMBAMS30P

- Flat SMBAMS series bracket
- 30 mm hole for mounting sensors
- Articulation slots for 90°+ rotation
- 12-ga. 300 series stainless steel



Hole center spacing: A=26.0, A to B=13.0  
Hole size: A=26.8 x 7.0, B= $\varnothing$  6.5, C= $\varnothing$  31.0

## Banner Engineering Corp. Limited Warranty

Banner Engineering Corp. warrants its products to be free from defects in material and workmanship for one year following the date of shipment. Banner Engineering Corp. will repair or replace, free of charge, any product of its manufacture which, at the time it is returned to the factory, is found to have been defective during the warranty period. This warranty does not cover damage or liability for misuse, abuse, or the improper application or installation of the Banner product.

THIS LIMITED WARRANTY IS EXCLUSIVE AND IN LIEU OF ALL OTHER WARRANTIES WHETHER EXPRESS OR IMPLIED (INCLUDING, WITHOUT LIMITATION, ANY WARRANTY OF MERCHANTABILITY OR FITNESS FOR A PARTICULAR PURPOSE), AND WHETHER ARISING UNDER COURSE OF PERFORMANCE, COURSE OF DEALING OR TRADE USAGE.

This Warranty is exclusive and limited to repair or, at the discretion of Banner Engineering Corp., replacement. IN NO EVENT SHALL BANNER ENGINEERING CORP. BE LIABLE TO BUYER OR ANY OTHER PERSON OR ENTITY FOR ANY EXTRA COSTS, EXPENSES, LOSSES, LOSS OF PROFITS, OR ANY INCIDENTAL, CONSEQUENTIAL OR SPECIAL DAMAGES RESULTING FROM ANY PRODUCT DEFECT OR FROM THE USE OR INABILITY TO USE THE PRODUCT, WHETHER ARISING IN CONTRACT OR WARRANTY, STATUTE, TORT, STRICT LIABILITY, NEGLIGENCE, OR OTHERWISE.

Banner Engineering Corp. reserves the right to change, modify or improve the design of the product without assuming any obligations or liabilities relating to any product previously manufactured by Banner Engineering Corp. Any misuse, abuse, or improper application or installation of this product or use of the product for personal protection applications when the product is identified as not intended for such purposes will void the product warranty. Any modifications to this product without prior express approval by Banner Engineering Corp will void the product warranties. All specifications published in this document are subject to change. Banner reserves the right to modify product specifications or update documentation at any time. Specifications and product information in English supersede that which is provided in any other language. For the most recent version of any documentation, refer to:

[www.bannerengineering.com](http://www.bannerengineering.com).