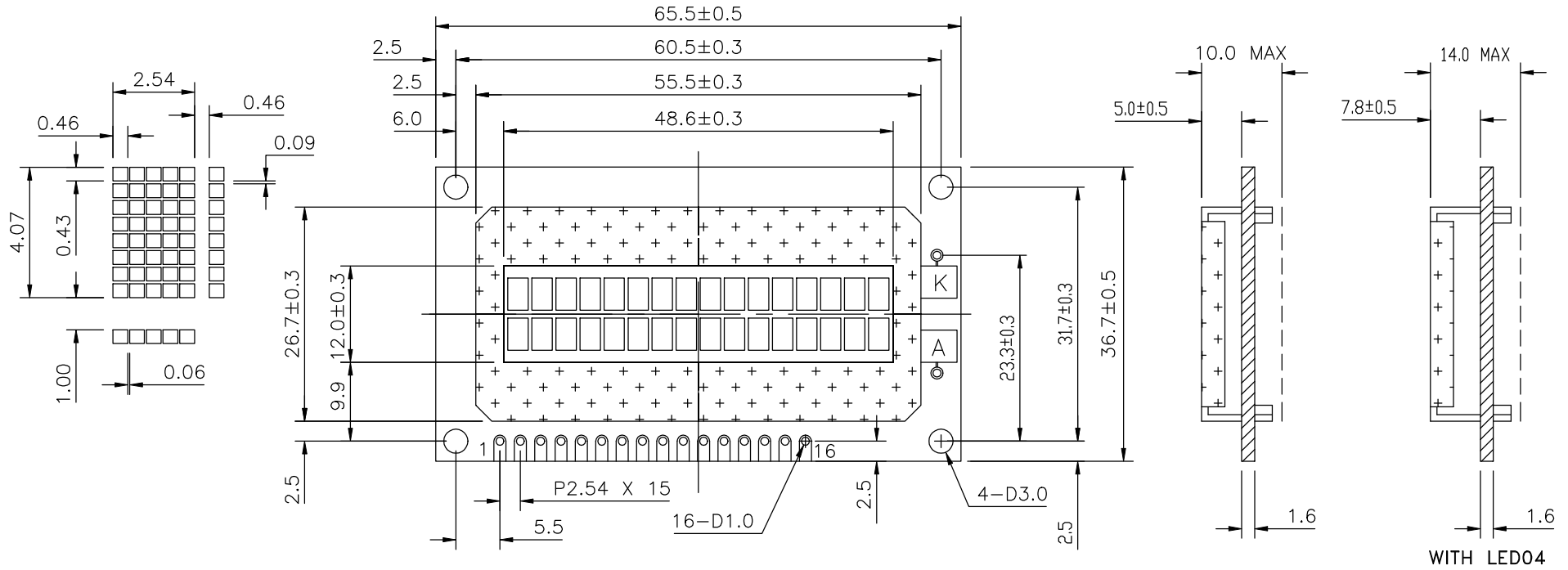


16 CHARACTERS X 2 LINES

CHARACTER SIZE: 2.54W X 3.55H mm (5 X 7 DOTS)  
2.54W X 4.07H mm (5 X 8 DOTS)

# MDL(S)-16264



WITH LED04

|                   |     |     |    |    |     |   |     |     |     |     |     |     |     |     |        |        |
|-------------------|-----|-----|----|----|-----|---|-----|-----|-----|-----|-----|-----|-----|-----|--------|--------|
| 14 PIN CONNECTION | 1   | 2   | 3  | 4  | 5   | 6 | 7   | 8   | 9   | 10  | 11  | 12  | 13  | 14  | A      | K      |
| 16 PIN CONNECTION | 1   | 2   | 3  | 4  | 5   | 6 | 7   | 8   | 9   | 10  | 11  | 12  | 13  | 14  | 15     | 16     |
|                   | VSS | VDD | V0 | RS | R/W | E | DB0 | DB1 | DB2 | DB3 | DB4 | DB5 | DB6 | DB7 | LED(+) | LED(-) |

