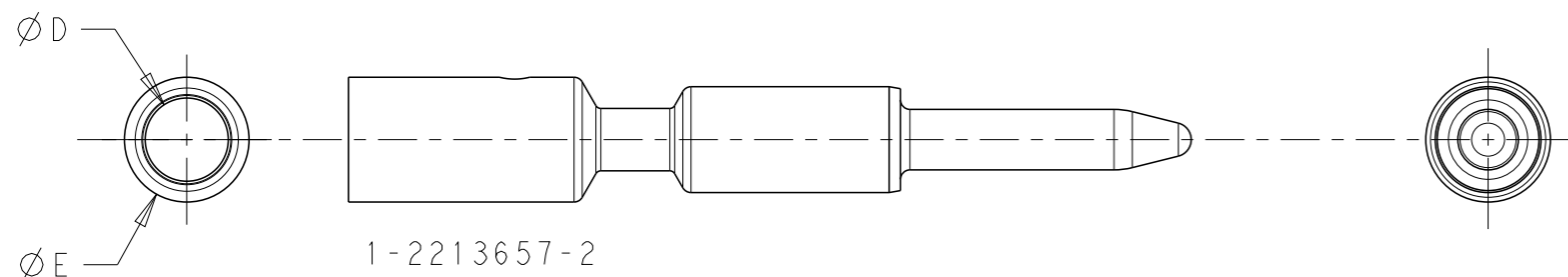
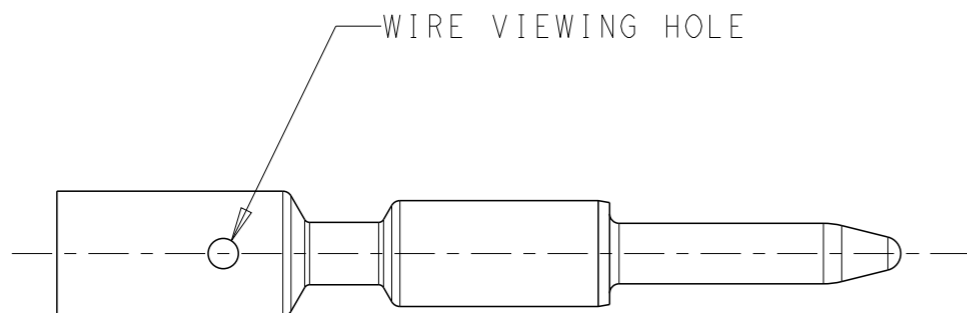
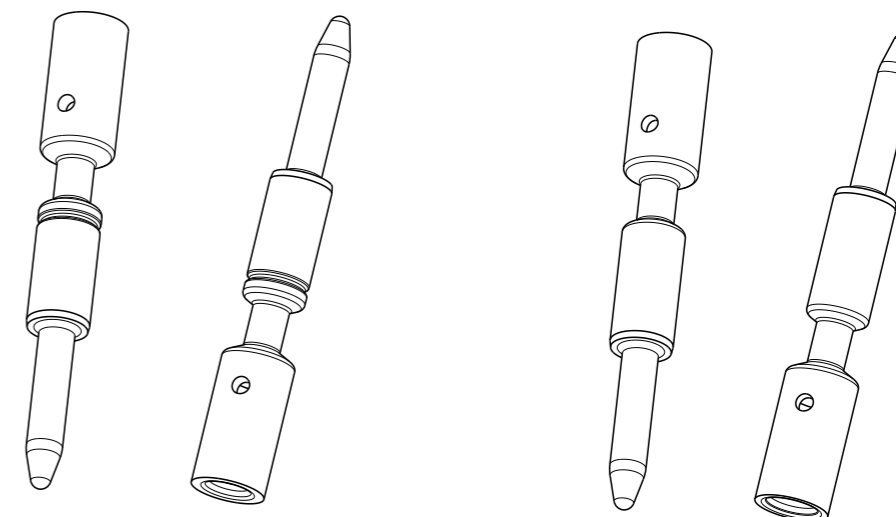


REVISIONS

| P | LTR | DESCRIPTION | DATE | DWN | APVD |
|---|-----|------------------------------|-----------|-----|------|
| | A | REVISED AS PER ECR-15-009852 | 13JUL2015 | RS | JL |
| | A1 | REVISED AS PER ECR-15-012327 | 20AUG2015 | RS | JL |
| | | | | | |
| | | | | | |

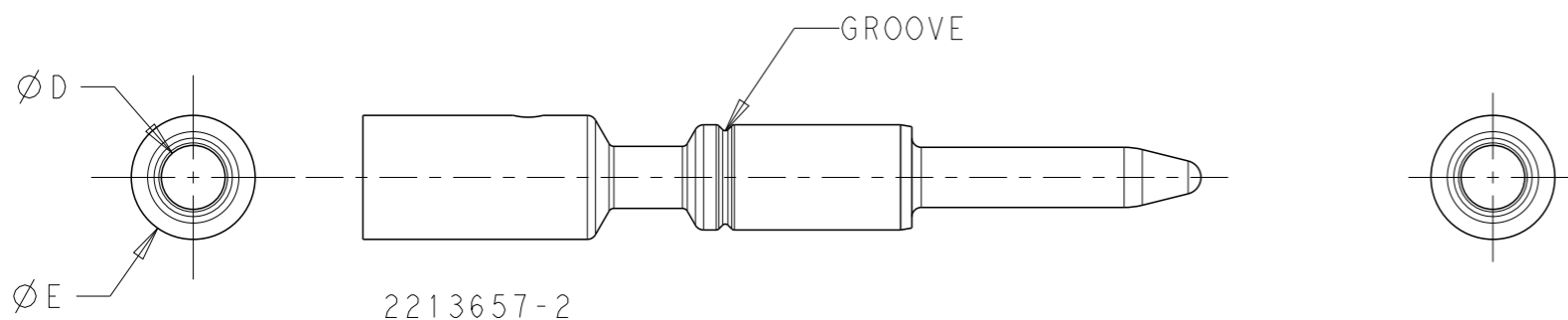


1-2213657-2



2213657-2

1-2213657-2


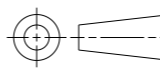


2213657-2

NOTES:

- MATERIALS AND FINISH:
COPPER ALLOY, FINISH: Sn OVER Ni
- MUST COMPLY WITH DIRECTIVE 2002/95/EC (ROHS)
- THIS PRODUCT HAS NOT COMPLETED VALIDATION TESTING

| | | | | |
|-------------|----------|----------|----------------|-------------|
| 2.5 | 3.30 | 2.20 | 0 | 1-2213657-2 |
| 1.5 | 3.30 | 1.70 | 1 | 2213657-2 |
| WIRE (sqmm) | DIM. "E" | DIM. "D" | NO. OF GROOVES | PART NO |

| | | | | | |
|---------------------------------------------------------------------------------------|--|-------------------------------------|--------------------------------------------------------------------------------------------------------------------------------------------------------|-----------------|-----------|
| THIS DRAWING IS A CONTROLLED DOCUMENT. | | DWN RAVI.S 17APR2015 |  TE Connectivity MACHINED PIN CONTACT NECTOR* M-LINE-SEALED | | |
| DIMENSIONS: mm | | CHK LATORRE JUSTIN 17APR2015 | | | |
|  | | APVD LATORRE JUSTIN 17APR2015 | | | |
| TOLERANCES UNLESS OTHERWISE SPECIFIED: | | PRODUCT SPEC 108-133014 | | | |
| 0 PLC ±- 1 PLC ±0.3 2 PLC ±0.15 3 PLC ±- 4 PLC ±- ANGLES ±- | | APPLICATION SPEC 114-32111 | NAME | SIZE | CAGE CODE |
| MATERIAL NOTE 1 | | FINISH NOTE 1 | WEIGHT - | A3 | - |
| | | Customer Drawing | SCALE 10:1 | SHEET 1 OF 1 | REV A1 |

Mouser Electronics

Authorized Distributor

Click to View Pricing, Inventory, Delivery & Lifecycle Information:

[TE Connectivity:](#)

[1-2213657-2](#)