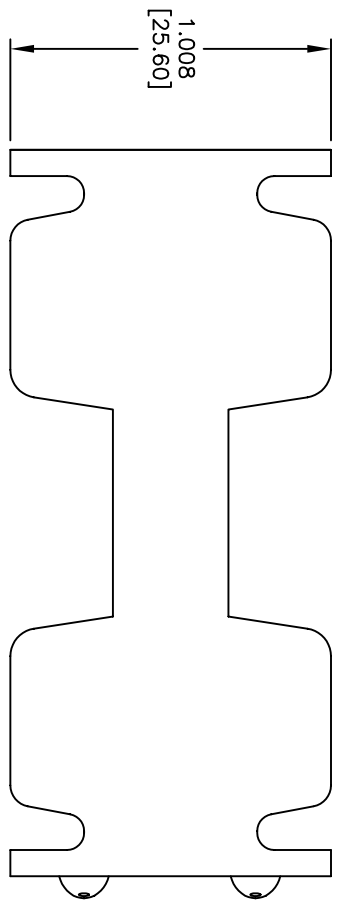
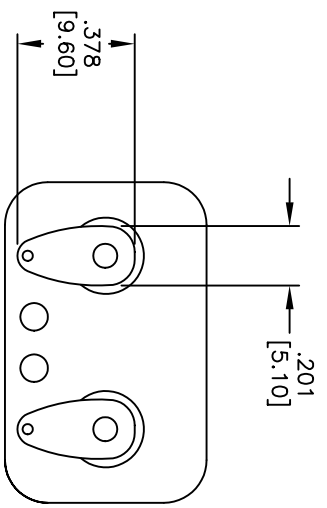
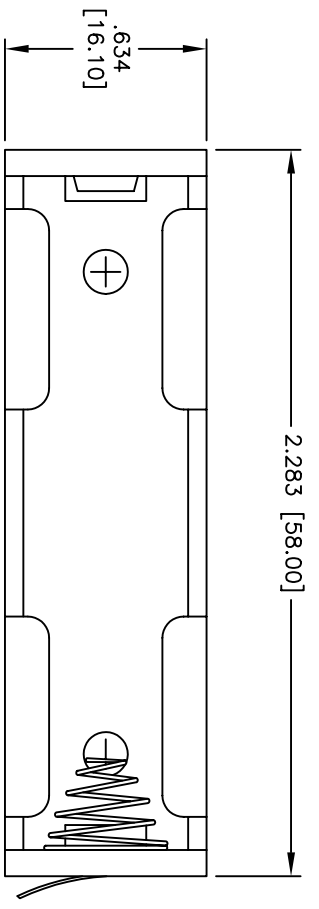


Rev	AWO #	Description	Date	Appr
-		RELEASED	1/14/05	

APPROVED: \_\_\_\_\_  
 DATE: \_\_\_\_\_ TITLE: \_\_\_\_\_



**SPECIFICATIONS:**

Material: Insulator: Impact resistant Polypropylene, rated UL94-HB  
 Insulator color: Black  
 Springs: Steel, Nickel plated  
 Contacts: Steel, Nickel plated  
 Electrical:  
 Operating voltage: 1.5 VDC max.  
 Temperature Rating:  
 Operating temperature: -10°C to +80°C  
 Environmental:  
 Lead free, RoHS compliant



**ADAM TECH**

909 Rahway Avenue, Union, NJ 07083  
 Phone: 908-687-5000 Fax: 908-687-5710

TITLE: BATTERY HOLDER, SOLDER TERMINALS  
 FOR TWO "AA" CELLS

UNLESS OTHERWISE SPECIFIED ALL DIMENSIONS ARE INCHES [MM] TOLERANCES: EXCEPT AS NOTED INCHES		HOLDS	
.X	± .10	ØX	± .10
.XX	± .020	ØXXX	± .015
.XXX	± .015	ØXXXX	± .010
APPROVALS		DATE	
DRAWN	SS	1/14/05	
CHECKED			
APPROVED			

SIZE	PART NO.	SCALE	SHEET	REV.
X	BH-02-3	NTS	1 OF 1	-