

Preface

This supplementary document provides information on a device designed for limited distribution. It describes how the features, operation, and ordering options of this device have been enhanced or changed from the standard device on which it is based. The information contained in this document modifies any information on the same topics established by the data sheets listed in [Table 2](#), and should be used in conjunction with those documents. This document may also contain information that was not previously covered by data sheets S34MS-1. It is intended for hardware system designers and software developers of applications, operating systems, or tools.

Parameter Page

Prior to reading the Unique ID, check the Unique-ID read Support value provided in [Table 1](#).

Table 1. 48 nm / 41 nm Parameter Page with Unique-ID Read Support^[1]

Technology	Density	Partial OPN	Byte 8	Byte 254	Byte 255
48 nm	1 Gb	S34MS01G100	33h	6Ch	EDh
		S34MS01G104	33h	1Eh	9Bh
41 nm	2 Gb	S34MS02G100	3Bh	A8h	4Bh
		S34MS02G104	3Bh	DAh	3Dh
	4 Gb	S34MS04G100	3Bh	D6h	00h
		S34MS04G104	3Bh	A4h	76h

Note

1. All other parameters can be found in the S34MS-1 datasheets.

Table 2. Affected Documents/Related Documents

Title	Publication Number
S34MS01G1, S34MS02G1, S34MS04G1 1-BIT ECC, X8 AND X16 I/O, 1.8V VCC SLC NAND Flash for Embedded	002-00330

1. Read Unique ID

The device supports the ONFI Read Unique ID function, initiated by writing below command sequence to the command register, followed by an address input of Block# 0, Page# 2, as shown in Figure 1. The host must monitor the R/B# pin or wait for the maximum data transfer time (tR) before reading the Unique ID data. The first sixteen bytes returned by the flash is a unique value. The next sixteen bytes returned are the bit-wise complement of the unique value. The host can verify the Unique ID was read correctly by performing an XOR of the two values. The result should be all ones. If the result is not all ones, the host needs to repeat the XOR operation with the next copy of Unique ID data and its complement. There are 512 Unique ID bytes: 256 Unique and 256 ID complement (see Table 3). Figure 2 and Figure 3 shows the test mode entry and the complete unique ID timing diagram. The command register remains in Unique ID mode until further commands are issued to it.

Note: For 41nm 2Gb/4Gb Cypress NAND, for a particular condition, the Read Unique ID command does not give the correct values. To overcome this issue, the host must issue a Reset command before the Read Unique ID command. Issuance of Reset before the Read Unique ID command will provide the correct values and will not output 00h values. This does not apply to 48nm 1Gb.

Figure 1. 48 nm / 41 nm Unique-ID Read

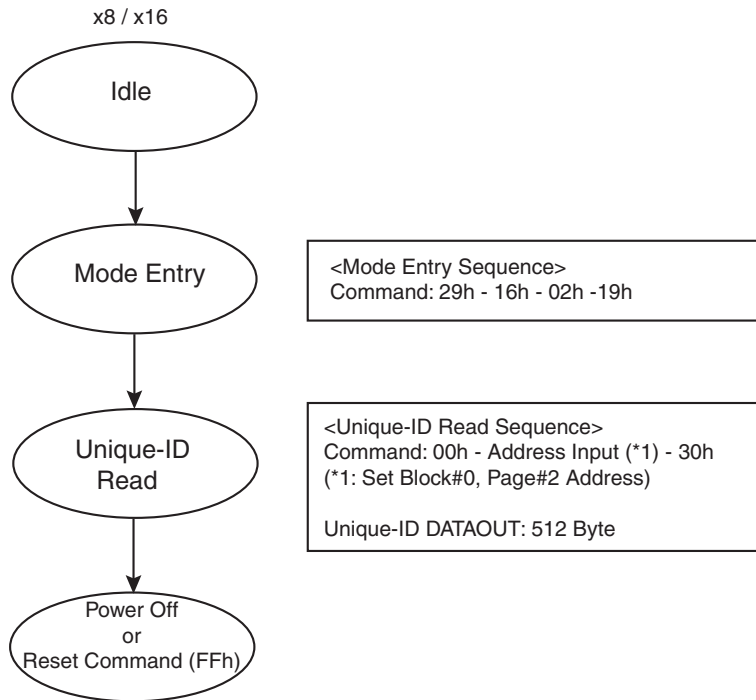


Figure 2. Unique ID Mode Entry

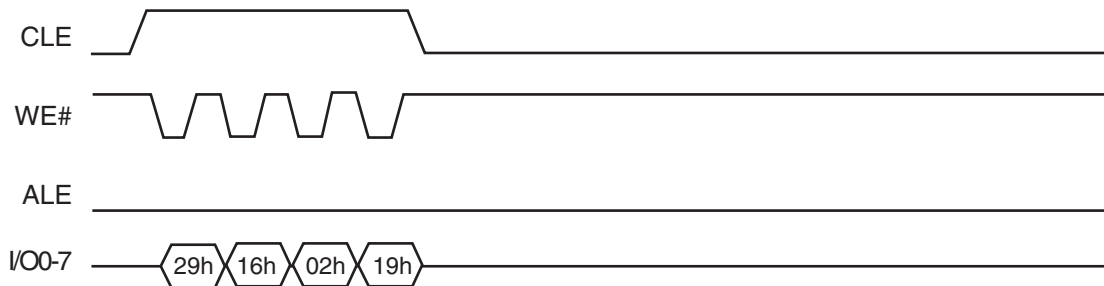


Figure 3. Unique ID Read (Set Block#0, Page# 2, Address; Unique ID Data Out: 512 Bytes)

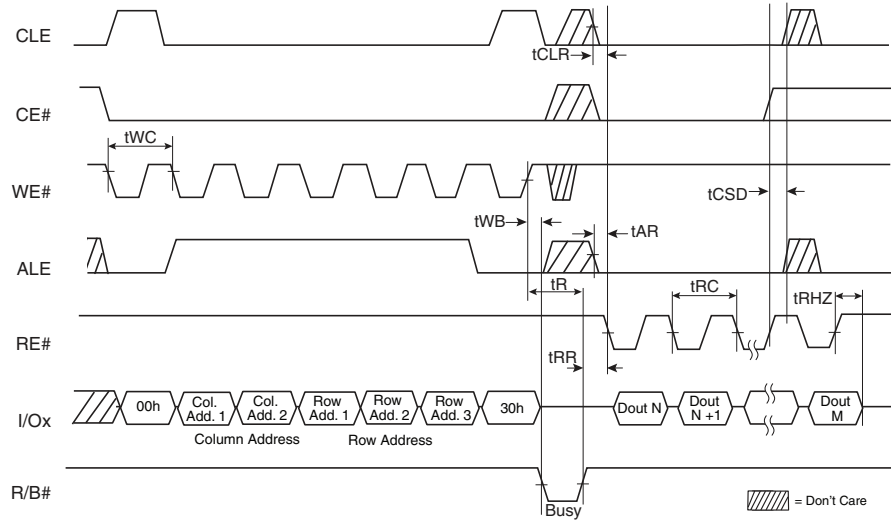


Table 3. Unique ID Data Description (Contact Factory)

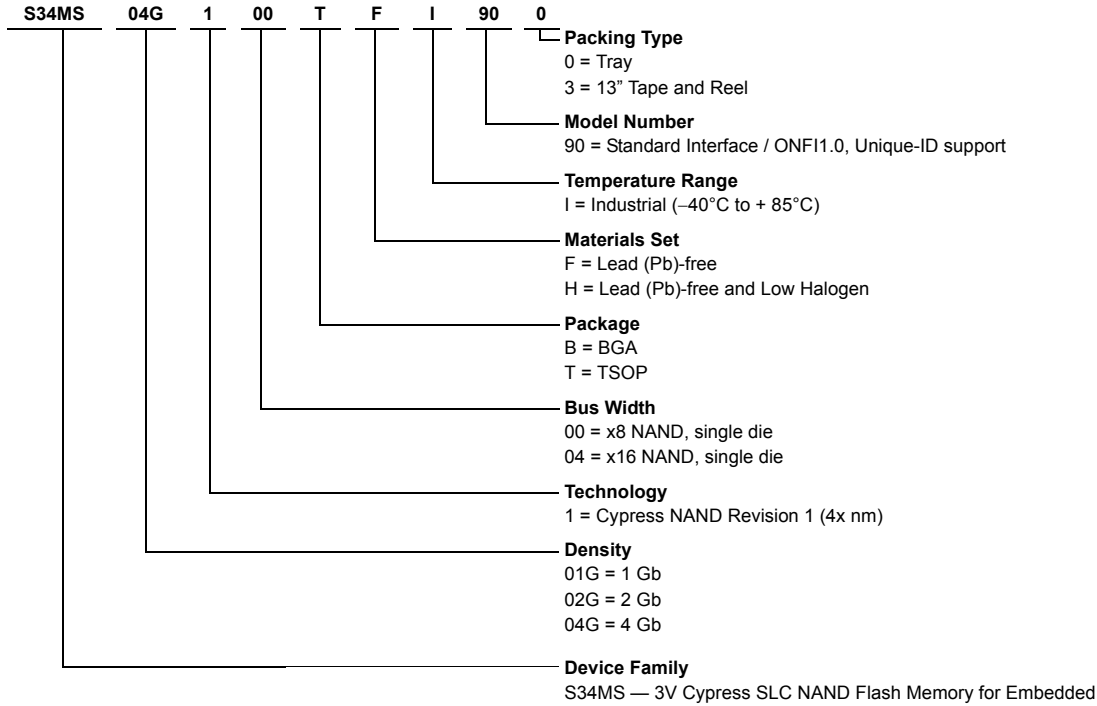
Byte	Description
0-15	Unique ID
16-31	ID Complement
32-47	Unique ID
48-63	ID Complement
64-79	Unique ID
80-95	ID Complement
96-111	Unique ID
112-127	ID Complement
128-143	Unique ID
144-159	ID Complement
160-175	Unique ID
176-191	ID Complement
192-207	Unique ID
208-223	ID Complement
224-239	Unique ID
240-255	ID Complement
256-271	Unique ID
272-287	ID Complement
288-303	Unique ID
304-319	ID Complement
320-335	Unique ID
336-351	ID Complement

Table 3. Unique ID Data Description (Contact Factory)

Byte	Description
352-367	Unique ID
368-383	ID Complement
384-399	Unique ID
400-415	ID Complement
416-431	Unique ID
432-447	ID Complement
448-463	Unique ID
464-479	ID Complement
480-495	Unique ID
496-511	ID Complement

2. Ordering Information

The ordering part number is formed by a valid combination of the following:



Valid Combinations

Valid Combinations list configurations planned to be supported in volume for this device. Contact your local sales office to confirm availability of specific valid combinations and to check on newly released combinations.

Valid Combinations								
Device Family	Density	Technology	Bus Width	Package Type	Temperature Range	Additional Ordering Options	Packing Type	Package Description
S34MS	01G	1	00, 04	TF, BH	I	90	0, 3	TSOP, BGA ^[2]
	02G							
	04G							

Note

2. BGA package marking omits the leading "S34" and the Packing Type designator from the ordering part number.

3. Revision History

Spanion Publication Number: S34MS-1_Read_Unique_ID_SP

Section	Description
Revision 01 (June 9, 2014)	
	Initial release

Document Title: S34MS-1, 1-Bit ECC Document Number: 002-00357				
Rev.	ECN	Orig. of Change	Submission Date	Description of Change
**	-	-	06/09/2014	Initial release
*A	5090619	MOH	01/20/2016	Updated Parameter Page . Added Read Unique ID . Updated to Cypress template.
*B	5260137	XILA	05/05/2016	Updated Read Unique ID : Updated description. Updated to new template.

Sales, Solutions, and Legal Information

Worldwide Sales and Design Support

Cypress maintains a worldwide network of offices, solution centers, manufacturer's representatives, and distributors. To find the office closest to you, visit us at [Cypress Locations](#).

Products

ARM® Cortex® Microcontrollers	cypress.com/arm
Automotive	cypress.com/automotive
Clocks & Buffers	cypress.com/clocks
Interface	cypress.com/interface
Lighting & Power Control	cypress.com/powerpsoc
Memory	cypress.com/memory
PSoC	cypress.com/psoc
Touch Sensing	cypress.com/touch
USB Controllers	cypress.com/usb
Wireless/RF	cypress.com/wireless

PSoC® Solutions

[PSoC 1](#) | [PSoC 3](#) | [PSoC 4](#) | [PSoC 5LP](#)

Cypress Developer Community

[Forums](#) | [Projects](#) | [Video](#) | [Blogs](#) | [Training](#) | [Components](#)

Technical Support

cypress.com/support

© Cypress Semiconductor Corporation, 2014-2016. This document is the property of Cypress Semiconductor Corporation and its subsidiaries, including Spansion LLC ("Cypress"). This document, including any software or firmware included or referenced in this document ("Software"), is owned by Cypress under the intellectual property laws and treaties of the United States and other countries worldwide. Cypress reserves all rights under such laws and treaties and does not, except as specifically stated in this paragraph, grant any license under its patents, copyrights, trademarks, or other intellectual property rights. If the Software is not accompanied by a license agreement and you do not otherwise have a written agreement with Cypress governing the use of the Software, then Cypress hereby grants you a personal, non-exclusive, nontransferable license (without the right to sublicense) (1) under its copyright rights in the Software (a) for Software provided in source code form, to modify and reproduce the Software solely for use with Cypress hardware products, only internally within your organization, and (b) to distribute the Software in binary code form externally to end users (either directly or indirectly through resellers and distributors), solely for use on Cypress hardware product units, and (2) under those claims of Cypress's patents that are infringed by the Software (as provided by Cypress, unmodified) to make, use, distribute, and import the Software solely for use with Cypress hardware products. Any other use, reproduction, modification, translation, or compilation of the Software is prohibited.

TO THE EXTENT PERMITTED BY APPLICABLE LAW, CYPRESS MAKES NO WARRANTY OF ANY KIND, EXPRESS OR IMPLIED, WITH REGARD TO THIS DOCUMENT OR ANY SOFTWARE OR ACCOMPANYING HARDWARE, INCLUDING, BUT NOT LIMITED TO, THE IMPLIED WARRANTIES OF MERCHANTABILITY AND FITNESS FOR A PARTICULAR PURPOSE. To the extent permitted by applicable law, Cypress reserves the right to make changes to this document without further notice. Cypress does not assume any liability arising out of the application or use of any product or circuit described in this document. Any information provided in this document, including any sample design information or programming code, is provided only for reference purposes. It is the responsibility of the user of this document to properly design, program, and test the functionality and safety of any application made of this information and any resulting product. Cypress products are not designed, intended, or authorized for use as critical components in systems designed or intended for the operation of weapons, weapons systems, nuclear installations, life-support devices or systems, other medical devices or systems (including resuscitation equipment and surgical implants), pollution control or hazardous substances management, or other uses where the failure of the device or system could cause personal injury, death, or property damage ("Unintended Uses"). A critical component is any component of a device or system whose failure to perform can be reasonably expected to cause the failure of the device or system, or to affect its safety or effectiveness. Cypress is not liable, in whole or in part, and you shall and hereby do release Cypress from any claim, damage, or other liability arising from or related to all Unintended Uses of Cypress products. You shall indemnify and hold Cypress harmless from and against all claims, costs, damages, and other liabilities, including claims for personal injury or death, arising from or related to any Unintended Uses of Cypress products.

Cypress, the Cypress logo, Spansion, the Spansion logo, and combinations thereof, PSoC, CapSense, EZ-USB, F-RAM, and Traveo are trademarks or registered trademarks of Cypress in the United States and other countries. For a more complete list of Cypress trademarks, visit cypress.com. Other names and brands may be claimed as property of their respective owners.