

### Specifications

Insulation Resistance: 1,000MΩ min.  
 Withstanding Voltage: 500V ACrms for 1 minute  
 Contact Resistance: 40mΩ max.  
 Current Rating: 0.5A per contact  
 Soldering Temp.: Rear socket: 220°C /40 sec.,  
 240°C peak

### Materials and Finish

Insulator: PBT, glass filled (UL94V-0)  
 Contact: Phosphor Bronze  
 Plating:- Header:  
 Card side - Au 0.3μm over Ni 2.0μm  
 Rear side - Au flash over Ni 2.0μm  
 Rear Socket:  
 Mating side - Au 0.2μm over Ni 1.0μm  
 Solder side - Au flash over Ni 1.0μm  
 Plate: Stainless Steel  
 Side Contact: Phosphor Bronze  
 Plating: Au over Ni

### Features

- SMT connector makes assembly and rework easier
- Small, light and low profile connector meets all kinds of PC card system requirements
- Various product combinations single or double deck, right or left eject lever, polarization styles, various stand-off heights, fully supports the customer's design needs
- Convenience of PC card removal with push type eject lever



### Part Number (Details)

**CNS - S T P - A R - 8 3 - A - 1**

Series

S = Single Deck

PCB Mounting Style:  
 T = Top B = Bottom

Voltage Style:  
 P = 3.3V / 5V Card

A = Plastic Lever  
 B = Metal Lever  
 C = Foldable Lever  
 D = 2 Step Lever  
 E = Without Ejector

Eject Lever:  
 R = Right L = Left

\*Height of Stand-off:  
 1 = 0mm 4 = 2.2mm 8 = 5.0mm

Nut Insert: 0 = None (on request)  
 1 = Header (on request)  
 2 = Guide (on request)  
 3 = Header / Guide (standard)

Shield Plate: A = None  
 B = Top  
 C = Bottom  
 D = Top / Bottom

Kapton Film: no mark = None  
 1 = Top  
 2 = Bottom  
 3 = Top and Bottom

\*Stand-off products 0.0 and 2.2mm are subject to a minimum order quantity of 1,120 pcs.

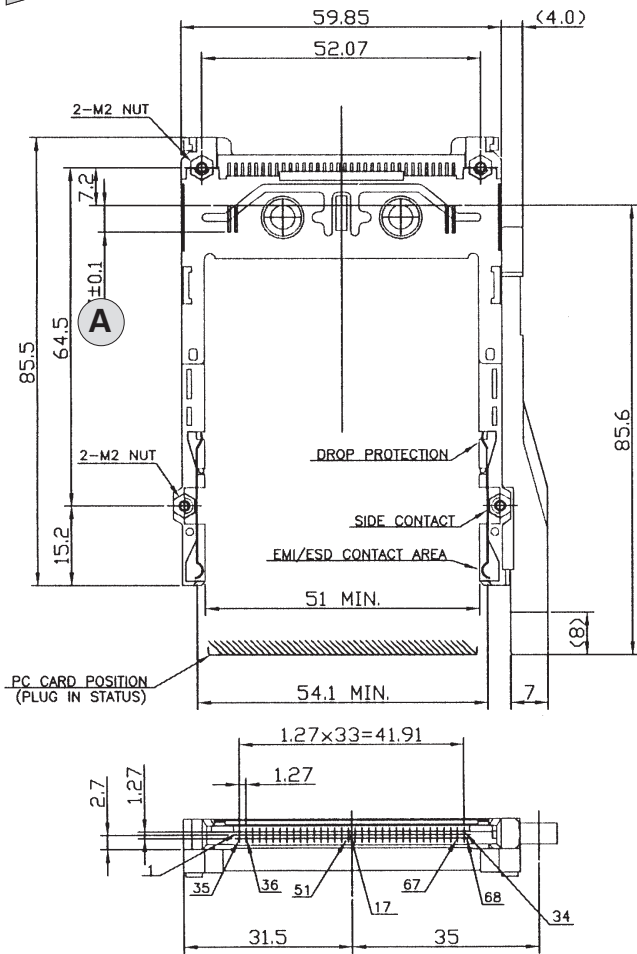
### Part Number (Details) for Rear Socket

**PCMCIA - 1260 - \***

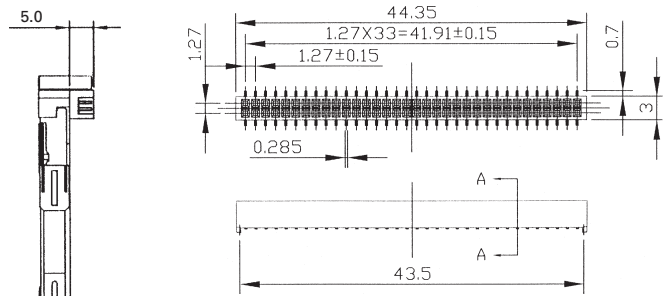
Packing Number

Available Types  
 0 = Without Kapton Film (Tray)  
 1 = With Kapton Film (Tray)  
 9 = With Kapton Film  
 (Tape & Reel, 1,500 pcs. per reel)

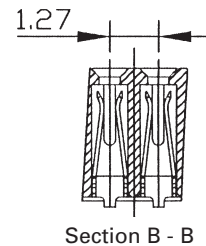
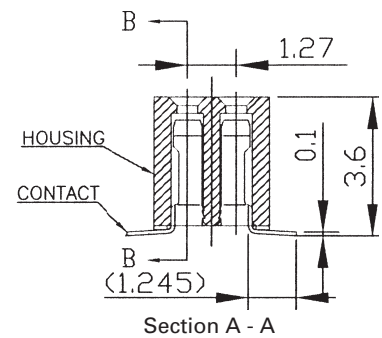
Example: Single Deck SMT Fixing with 5.0mm Stand-off



Rear Socket



Rear Socket Section Details



Contact Dimensions at <b>A</b>	Length
Contacts A1, A17, A34, A35, A51 and A68	5.00 ±0.1
Contacts A36 and A67	3.50 ±0.1
All other contacts	4.25 ±0.1

Example PCB Layout

With Stand-off

Without Stand-off

Top View

Please Note: this hole for stand-off 2.2mm and 5.0mm lies on the center line with the SMD pad

