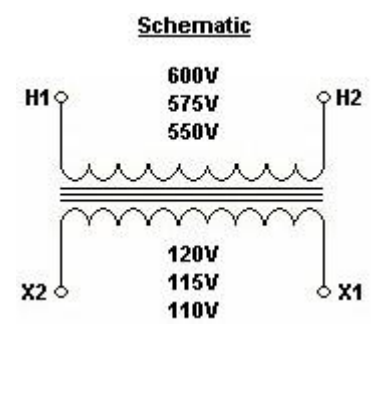


**GROUP: F (QUEV)**

Primary Voltage : 600 , 575 , 550 VAC @ 50/60Hz ; Secondary Voltage : 120 , 115 , 110 VAC

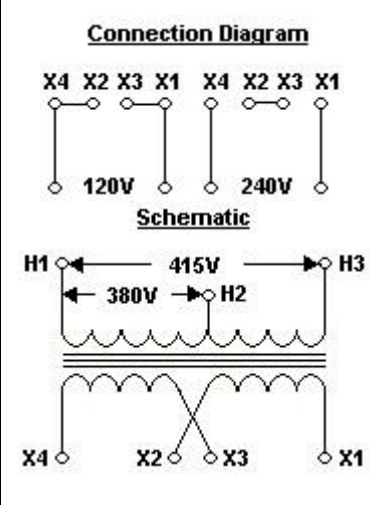
Part Number	VA	Overall Dimensions			Mounting Centers		Mtg. Slot (4 PLCS)	Wt. Lbs	Price
		L	W	H	ML	MW			
CT0025-F00	25	3.000	3.750	2.750	2.500	1.750	3/8 x 13/64	1.94	
CT0050-F00	50	3.000	3.563	2.750	2.500	2.250	3/8 x 13/64	2.72	
CT0075-F00	75	3.000	3.750	2.750	2.500	2.438	3/8 x 13/64	3.10	
CT0100-F00	100	3.000	3.750	2.750	2.500	2.625	3/8 x 13/64	3.26	
CT0150-F00	150	3.750	4.125	3.375	3.125	2.750	3/8 x 13/64	5.82	
CT0200-F00	200	3.750	4.125	3.375	3.125	2.750	3/8 x 13/64	5.92	
CT0250-F00	250	4.125	4.313	3.500	3.438	3.000	3/8 x 13/64	9.34	
CT0300-F00	300	4.500	4.313	3.875	3.750	3.000	3/8 x 13/64	9.64	
CT0350-F00	350	4.500	4.813	3.875	3.750	2.500	3/8 x 13/64	11.50	
CT0500-F00	500	5.250	4.750	5.250	4.375	3.625	9/16 x 9/32	18.00	
CT0750-F00	750	5.250	5.250	5.250	4.375	4.125	9/16 x 9/32	24.72	
CT1000-F00	1000	6.375	5.125	6.125	5.313	3.750	9/16 x 9/32	25.74	
CT1500-F00	1500	6.375	6.625	6.625	5.313	5.125	9/16 x 9/32	36.75	



**GROUP: G (LWEZ)**

Primary Voltage : 380 , 415 VAC @ 50/60Hz ; Secondary Voltage : 110/220 , 110/220 VAC

Part Number	VA	Overall Dimensions			Mounting Centers		Mtg. Slot (4 PLCS)	Wt. Lbs	Price
		L	W	H	ML	MW			
CT0025-G00	25	3.000	3.750	2.750	2.500	1.750	3/8 x 13/64	1.94	
CT0050-G00	50	3.000	3.563	2.750	2.500	2.250	3/8 x 13/64	2.72	
CT0075-G00	75	3.000	3.750	2.750	2.500	2.438	3/8 x 13/64	3.10	
CT0100-G00	100	3.000	3.750	2.750	2.500	2.625	3/8 x 13/64	3.26	
CT0150-G00	150	3.750	4.125	3.375	3.125	2.750	3/8 x 13/64	5.82	
CT0200-G00	200	3.750	4.125	3.375	3.125	2.750	3/8 x 13/64	5.92	
CT0250-G00	250	4.125	4.313	3.500	3.438	3.000	3/8 x 13/64	9.34	
CT0300-G00	300	4.500	4.313	3.875	3.750	3.000	3/8 x 13/64	9.64	
CT0350-G00	350	4.500	4.813	3.875	3.750	2.500	3/8 x 13/64	11.50	
CT0500-G00	500	5.250	4.750	5.250	4.375	3.625	9/16 x 9/32	18.00	
CT0750-G00	750	5.250	5.250	5.250	4.375	4.125	9/16 x 9/32	24.72	
CT1000-G00	1000	6.375	5.125	6.125	5.313	3.750	9/16 x 9/32	25.74	
CT1500-G00	1500	6.375	6.625	6.625	5.313	5.125	9/16 x 9/32	36.75	



**GROUP: H (KWEV)**

Primary Voltage : 208 , 277 , 380 VAC @ 50/60Hz ; Secondary Voltage : 120 VAC

Part Number	VA	Overall Dimensions			Mounting Centers		Mtg. Slot (4 PLCS)	Wt. Lbs	Price
		L	W	H	ML	MW			
CT0025-H00	25	3.000	3.750	2.750	2.500	1.750	3/8 x 13/64	1.94	
CT0050-H00	50	3.000	3.563	2.750	2.500	2.250	3/8 x 13/64	2.72	
CT0075-H00	75	3.000	3.750	2.750	2.500	2.438	3/8 x 13/64	3.10	
CT0100-H00	100	3.000	3.750	2.750	2.500	2.625	3/8 x 13/64	3.26	
CT0150-H00	150	3.750	4.125	3.375	3.125	2.750	3/8 x 13/64	5.82	
CT0200-H00	200	3.750	4.125	3.375	3.125	2.750	3/8 x 13/64	5.92	
CT0250-H00	250	4.125	4.313	3.500	3.438	3.000	3/8 x 13/64	9.34	
CT0300-H00	300	4.500	4.313	3.875	3.750	3.000	3/8 x 13/64	9.64	
CT0350-H00	350	4.500	4.813	3.875	3.750	2.500	3/8 x 13/64	11.50	
CT0500-H00	500	5.250	4.750	5.250	4.375	3.625	9/16 x 9/32	18.00	
CT0750-H00	750	5.250	5.250	5.250	4.375	4.125	9/16 x 9/32	24.72	
CT1000-H00	1000	6.375	5.125	6.125	5.313	3.750	9/16 x 9/32	25.74	
CT1500-H00	1500	6.375	6.625	6.625	5.313	5.125	9/16 x 9/32	36.75	

