

MAPX	MODIFICATION	DATE

Specification:

1. Electrical Characteristics:

Dielectric Withstanding Voltage: AC 500V/1MINUTE.
 Insulation Resistance: 1000 MΩMin.
 Contact Resistance: 30 mΩ Max.

2. Mechanical Characteristics:

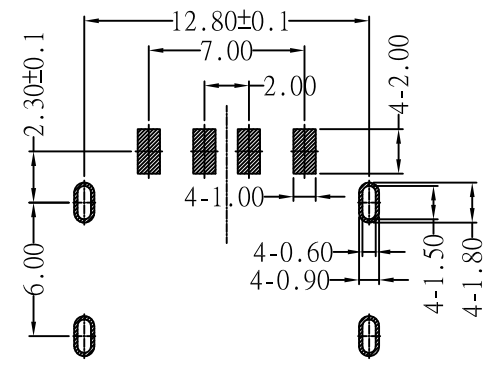
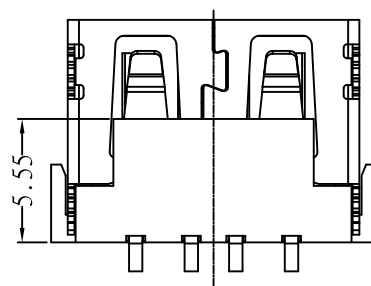
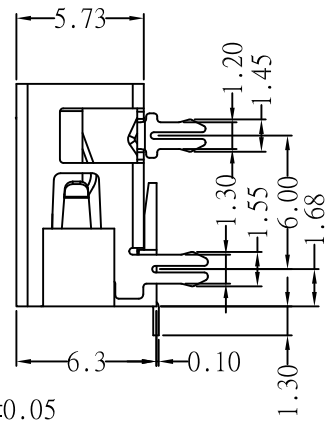
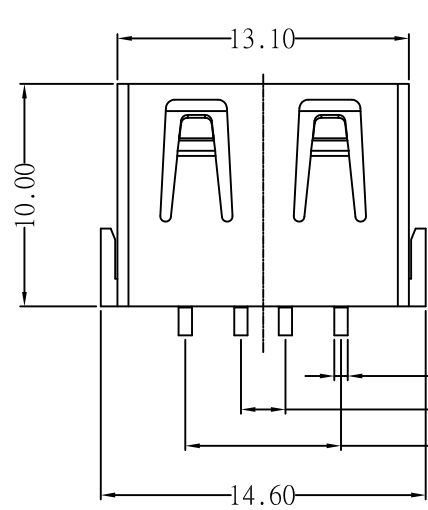
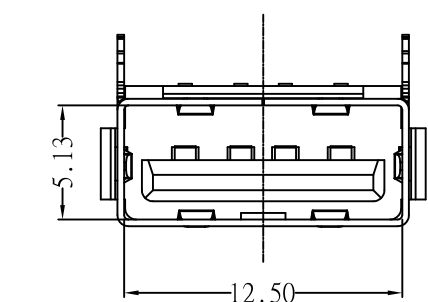
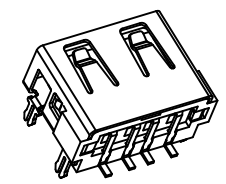
INSERTION FORCE: 30N(3.06Kgf) MAX
 EXTRACTION FORCE: 10~30N(1.02~3.06Kgf)
 Durability:1500cycles.EXTRACTION FORCE:10~30N(1.02~3.06Kgf)

3. Material:

Terminal: C5191/C2680R-EH T=0.25
 Plating: Gold 0.76 um Min plating over 1.27 um Min Nickel underplate, 2.54 um Min Sn selective plating on solder tail;
 Shell: Bronze, SPCC,H =0.30mm
 Plating: Nickel underplate 2.54 um Min;
 Housing: PBT PA9T LCP Black White

4. Environmental:

Operating Temperature: 0°C to +85°C.



- 908-X X X A X XX X X X XX
- 01/02=1U 04=3U 07=15U 08=30U
 - 1=氟铜 2=磷铜
 - D=90度 Y=180度 S=贴板
 - 1=A款6.3 2=A款6.8,
 - 01=白色 02=黑色
 - 1=PBT 2=LCP 3=PA9T
 - A=正向
 - 1=铁壳24H 2=铜壳24H
 - 5=有边 6=无边 7=有边有缺口
 - 1=前两脚 2=后两脚 3=四脚

RECOMMENDED P.C.B LAYOUT

产品图 PRODUCT CHART DWG		深圳市精拓金电子有限公司							
公差一览表 TOLERANCE UNLESS OTHERWISE		单位 UNITS	MM	制图 DRAWING	YANG	制图料号 PRODUCT PART NO.	908-362A2021S10110		
X, ±0.30	X, ±5.°	比例 SCALE	1:1	审核 CHKD	郭志富	产品名称 PRODUCT NAME	AF10.0A款四脚无边6.3铜壳LCP黑胶6.3SMT		
.X ±0.25	.X ±2.°	日期 DATE	2019.11.23	核准 APPD	黄国荣	角法 VIEW		版本 VER	AD
.XX ±0.15	.XX ±1.°								
.XXX ±0.10	.XXX ±0.5°								