

General Description

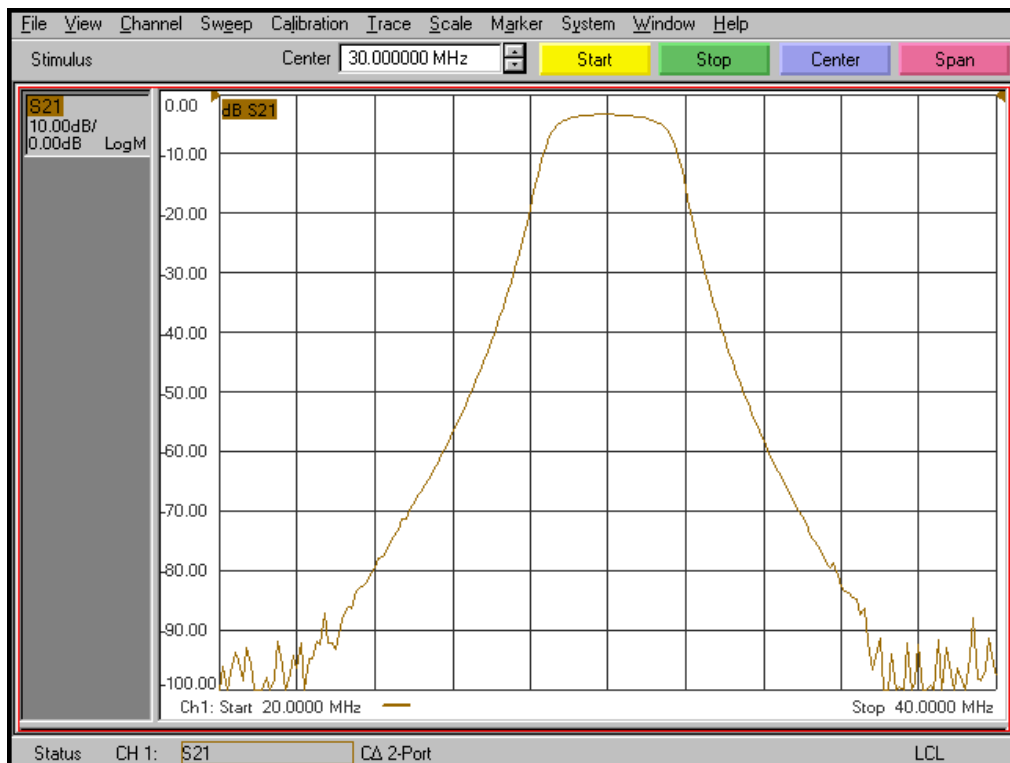
KR Electronics part number 3087 is a 30 MHz bandpass filter. The filter has a 3 dB bandwidth of 3 MHz and maximum 40 dB bandwidth of 8 MHz. Other center frequencies and bandwidths are available. Please consult the factory.

Features

- 30 MHz Bandpass Filter
- 3 MHz 3 dB Bandwidth
- 50 Ω Source and Load
- Surface mount
- Also available with SMA Connectors

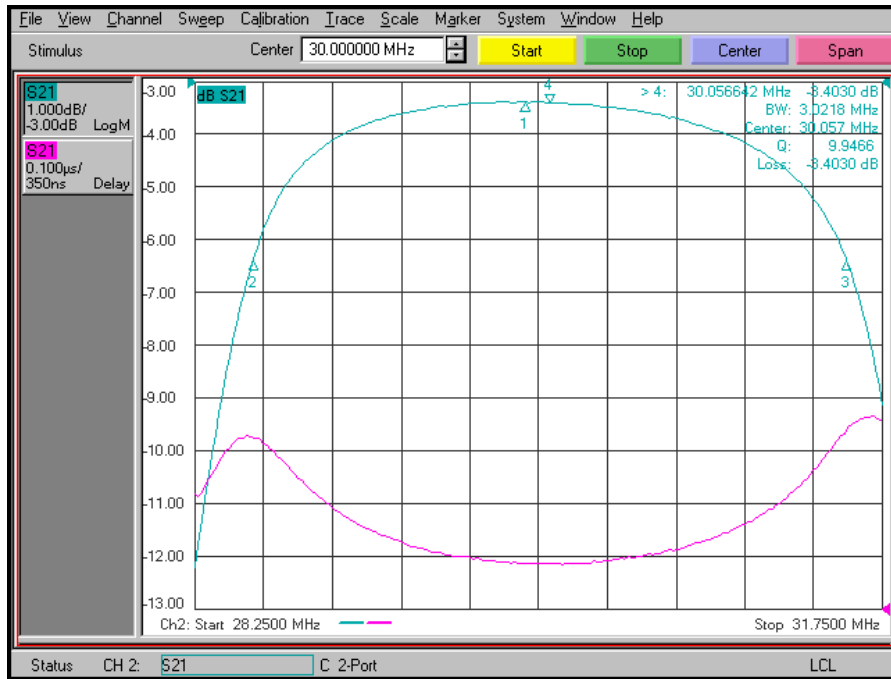
Typical Performance

Overall Response (10 dB/div)

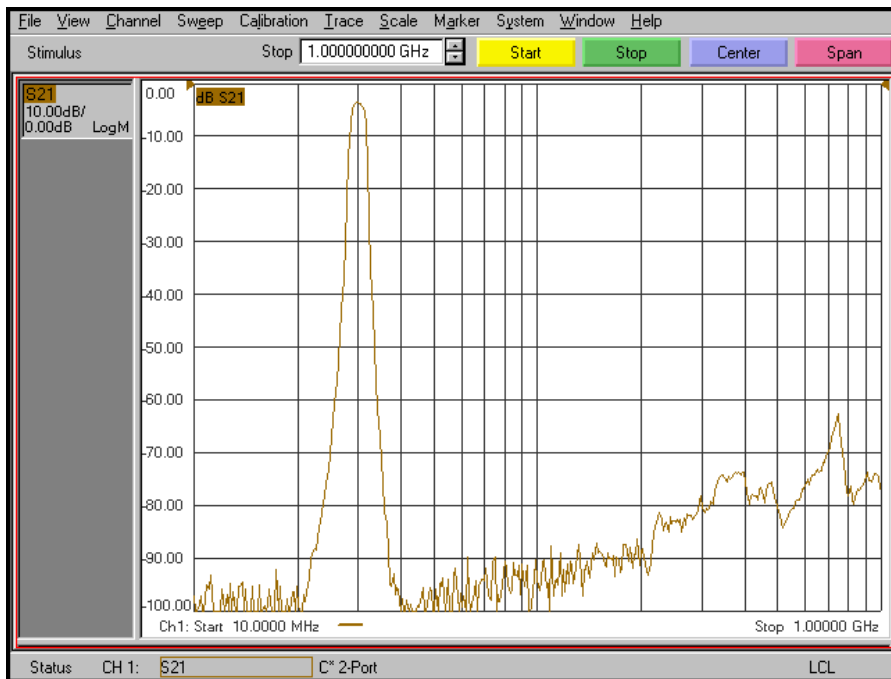


KR Electronics 3087

Passband Amplitude & Group Delay (1 dB/div & 100 nsec/div)



Overall Response (10 dB/div)



KR Electronics, Inc.
91 Avenel Street
Avenel, NJ 07001

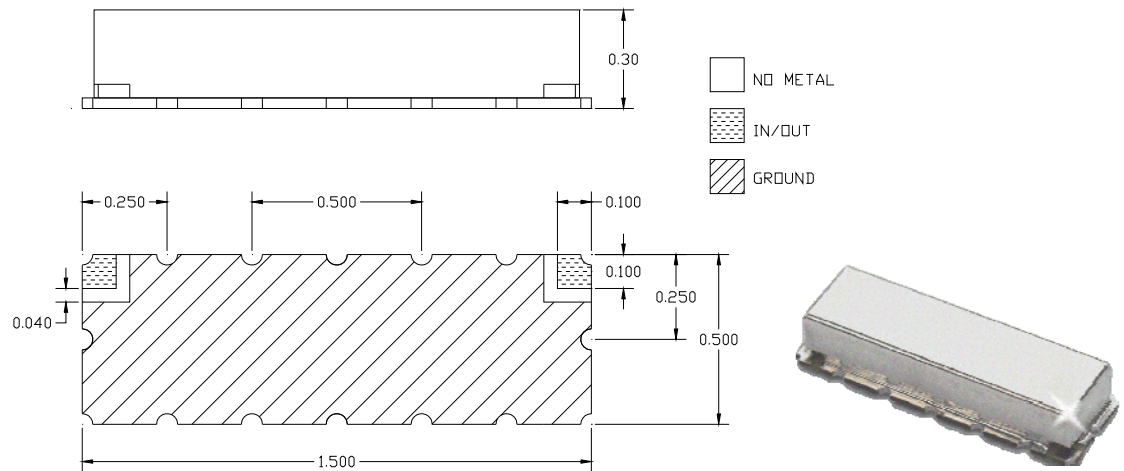
Web: www.krfilters.com
Email: sales@krfilters.com
Phone: (732) 636-1900
Fax: (732) 636-1982

KR Electronics 3087

Specifications

Parameter	Specification	
Filter type	Bandpass	
Center Frequency	30 MHz	
Insertion Loss	4.5 dB max	3.5 dB typical
3 dB Bandwidth	3 MHz \pm 0.2 MHz	
40 dB Bandwidth	8 MHz max	6.2 MHz typical
50 dB Bandwidth	7.5 MHz typical	
60 dB Bandwidth	8.9 MHz typical	
Source and Load	50 Ω	

Physical Dimensions



Notes:

1. Surface mount package
2. Dimensions in inches
3. Max reflow temperature 230° C for 10 sec
4. If boards are cleaned after installation units must be completely dried

KR Electronics, Inc.
91 Avenel Street
Avenel, NJ 07001

Web www.krfilters.com
Email sales@krfilters.com
Phone (732) 636-1900
Fax (732) 636-1982