

THIS DRAWING IS UNPUBLISHED.

RELEASED FOR PUBLICATION

ALL RIGHTS RESERVED.

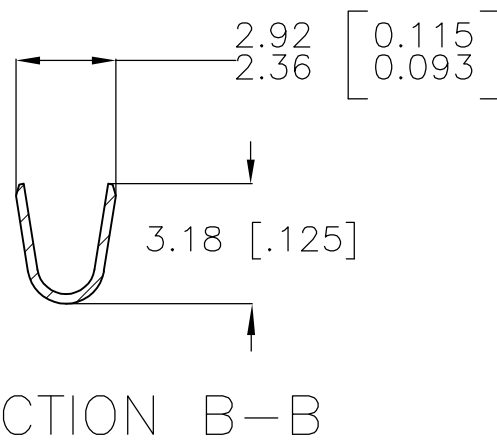
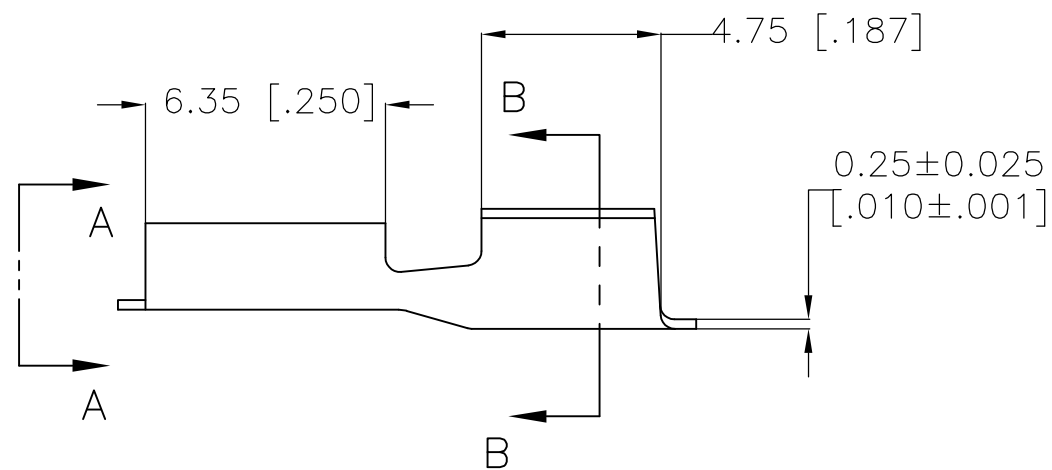
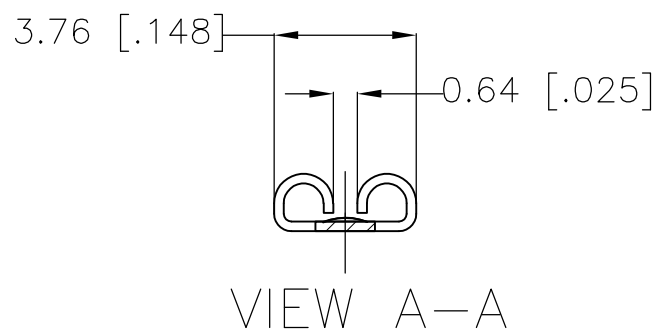
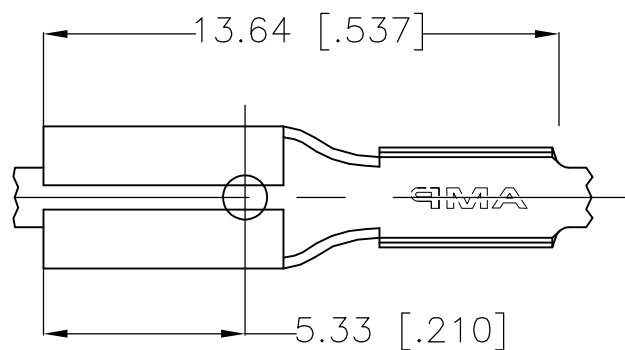
© COPYRIGHT - By -

LOC AF DIST 50

REVISIONS

P	LTR	DESCRIPTION	DATE	DWN	APVD
	D	REVISED PER ECR-12-013459	28NOV2012	KH	PD

- △ 1 CONTINUOUS STRIP ON REELS
- 2 WIRE SIZE IS [20-16] AWG
- 3 MATING TAB THK IS 0.41 ± 0.025 [0.016 ± .001].
- △ 4 REELED ON PLASTIC REELS



△ 4	61457-2
	61457-1
	PART NO.

THIS DRAWING IS A CONTROLLED DOCUMENT.		DWN JR RUTH 30NOV00	TE Connectivity		
DIMENSIONS: MM/mil [INCHES] 		CHK MS FEHER 30NOV00			
TOLERANCES UNLESS OTHERWISE SPECIFIED: 0 PLC ± - 1 PLC ± - 2 PLC ± 0.38 [.015] 3 PLC ± - 4 PLC ± - ANGLES ± -		APVD P DESANTIS 30NOV00	PRODUCT SPEC - APPLICATION SPEC - SIZE A3 CAGE CODE 00779 DRAWING NO C-61457 RESTRICTED TO -		
MATERIAL BRASS		FINISH PRE-TIN			