



LIGITEK ELECTRONICS CO.,LTD.  
Property of Ligitek Only

SURFACE MOUNT LED TAPE AND REEL



Lead-Free Parts

LHY9553/T/TR1

**DATA SHEET**

DOC. NO : QW0905-LHY9553/T/TR1

REV. : B

DATE : 30 - Jun. - 2011



**Features:**

1. Top view LED.
2. white SMT package.
3. Leadframe package with individual 2 pin.
4. Wide viewing angle.
5. Soldering methods: IR reflow soldering.
6. Feature of the device: more light due to higher optical efficiency; extremely wide viewing angle; ideal for backlighting and coupling in light guide.

**Descriptions:**

The LHY9553 SMD has wide viewing angle and optimized light coupling by inter reflector, The low current requirement makes this device ideal for portable equipment or any other application where power is at a premium.

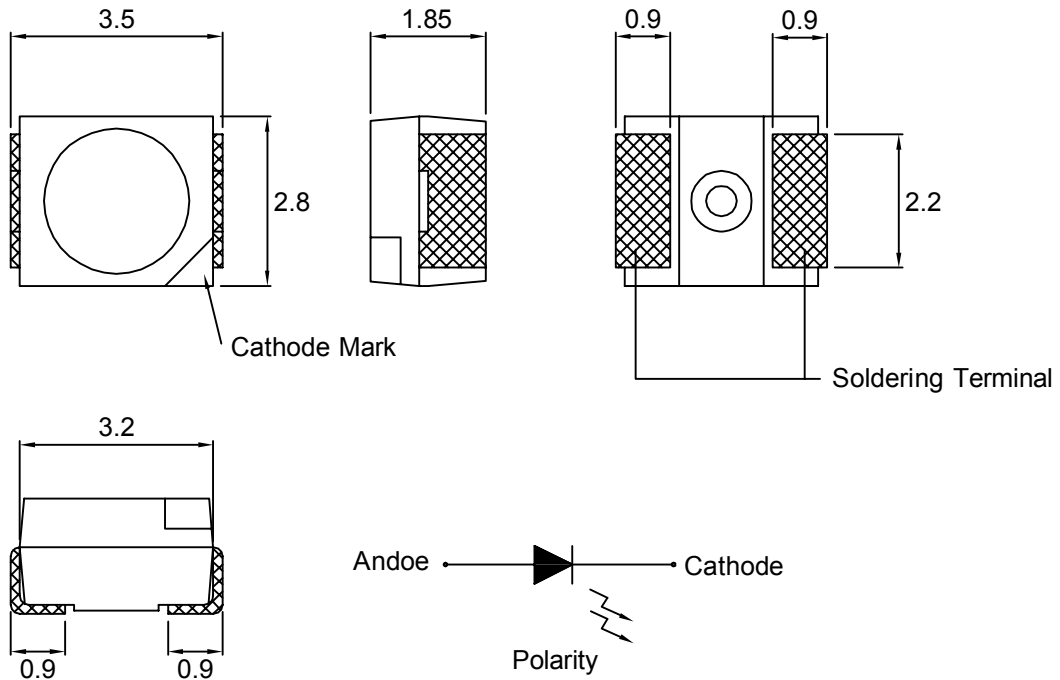
**Applications:**

1. Telecommunication: indicator and backlighting in telephone and fax.
2. Indicators.
3. Switch lights.

**Device Selection Guide:**

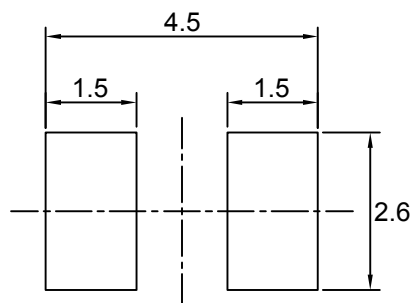
PART NO	MATERIAL	COLOR	
		Emitted	Lens
LHY9553/T/TR1	AlGaInP	Yellow	Water Clear

## Package Dimensions



Note : 1.All dimension are in millimeter tolerance is  $\pm 0.2\text{mm}$  unless otherwise noted.  
2.Specifications are subject to change without notice.

## Recommended Soldering Pad Dimensions



Note : The tolerances unless mentioned is  $\pm 0.1\text{mm}$ , Angle  $\pm 0.5$ . Unit=mm.

### Absolute Maximum Ratings at Ta=25 °C

Parameter	Symbol	Ratings	UNIT
		HY	
Forward Current	IF	30	mA
Peak Forward Current Duty 1/11@10KHz	IFP	60	mA
Power Dissipation	PD	75	mW
Reverse Current @5V	Ir	10	μA
Electrostatic Discharge	ESD	2000	V
Operating Temperature	Topr	- 40 ~ + 85	°C
Storage Temperature	Tstg	- 40 ~ + 100	°C

### Typical Electrical & Optical Characteristics (Ta=25 °C)

Items	Symbol	Min.	Typ.	Max.	UNIT	CONDITION
Luminous Intensity	Iv	5	20	----	mcd	IF=2mA
Dominant Wavelength	λD	----	595	----	nm	IF=2mA
Spectral Line Half-Width	Δλ	----	15	----	nm	IF=2mA
Forward Voltage	V <sub>F</sub>	1.7	----	2.4	V	IF=2mA
Viewing Angle	2θ 1/2	----	120	----	deg	IF=2mA

Note : 1.The forward voltage data did not including ±0.1V testing tolerance.  
2.The luminous intensity data did not including ±15% testing tolerance.

**Luminous Intensity Classification**

BIN CODE	Iv(mcd) at 2mA	
	Min.	Max.
J	5	8
K	8	12.5
L	12.5	20
M	20	32
N	32	50

**Dominant Wavelength Classification**

BIN CODE	$\lambda D$ (nm) at 2mA	
	Min.	Max.
17-2	590	591
17-3	591	592
18	592	595
19	595	598
20	598	600

**Typical Electro-Optical Characteristics Curve**  
**HY CHIP**

Fig.1 Forward current vs. Forward Voltage

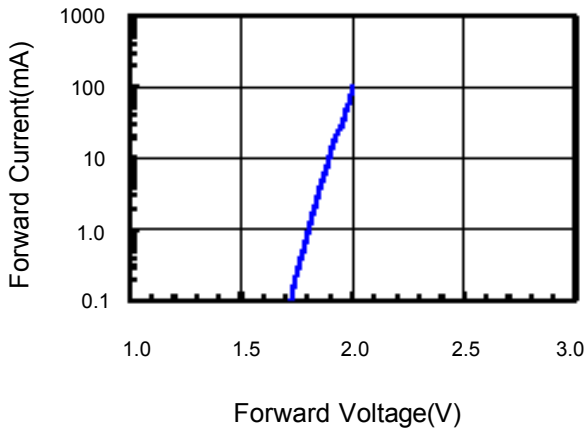


Fig.2 Relative Intensity vs. Forward Current

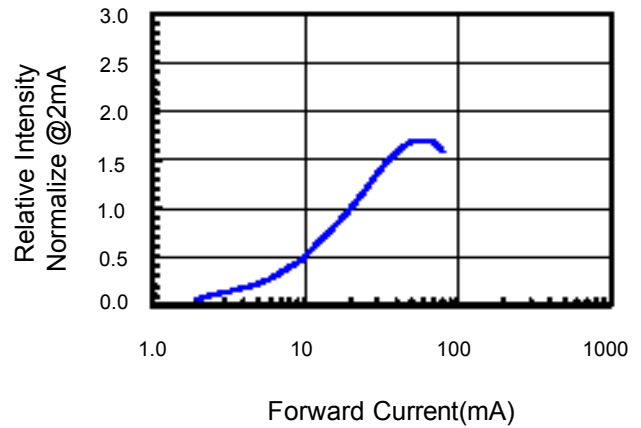


Fig.3 Forward Voltage vs. Temperature

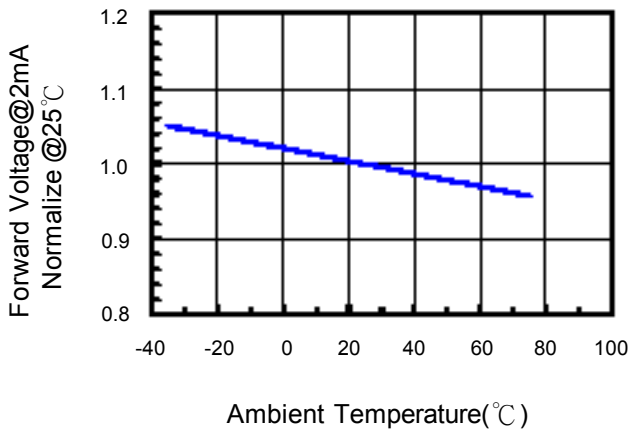


Fig.4 Relative Intensity vs. Temperature

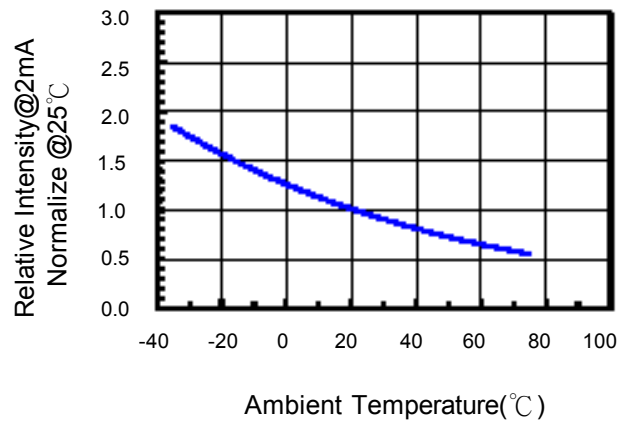


Fig.5 Relative Intensity vs. Wavelength

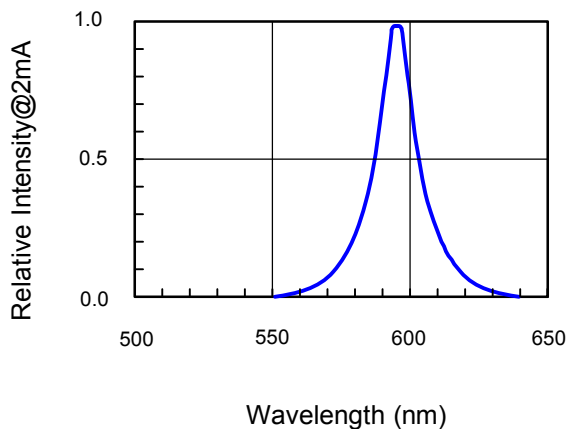
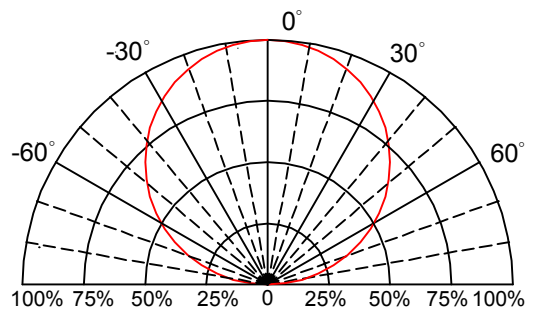
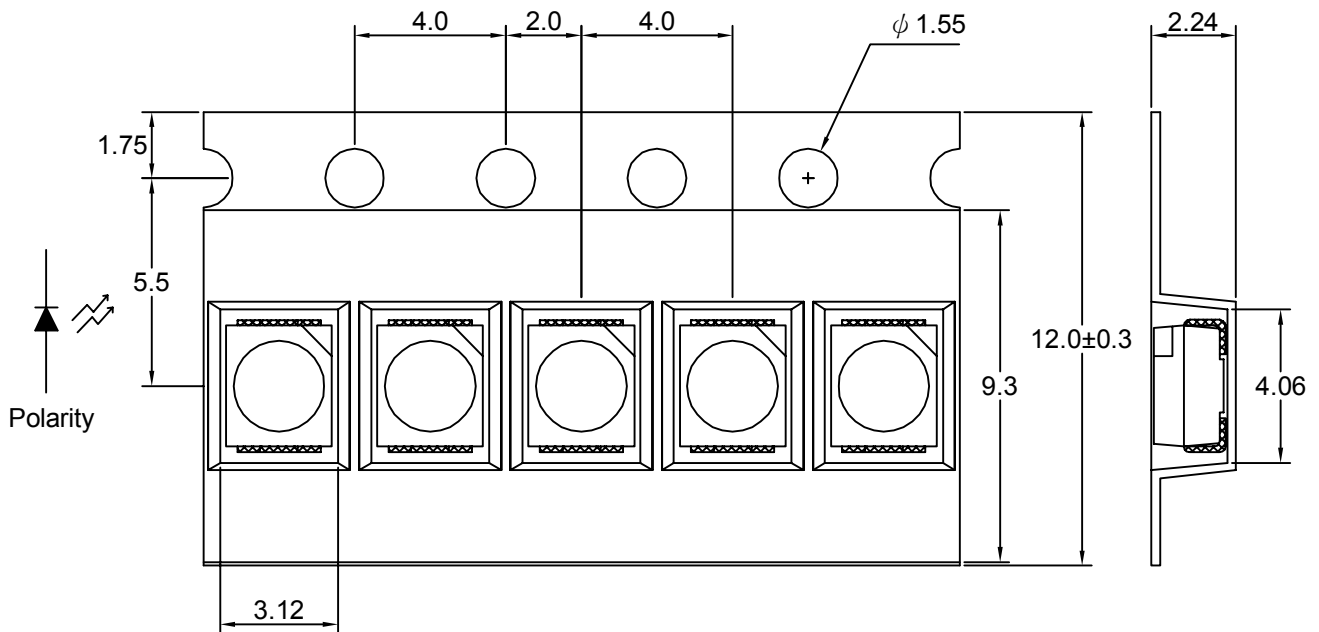


Fig.6 Directive Radiation

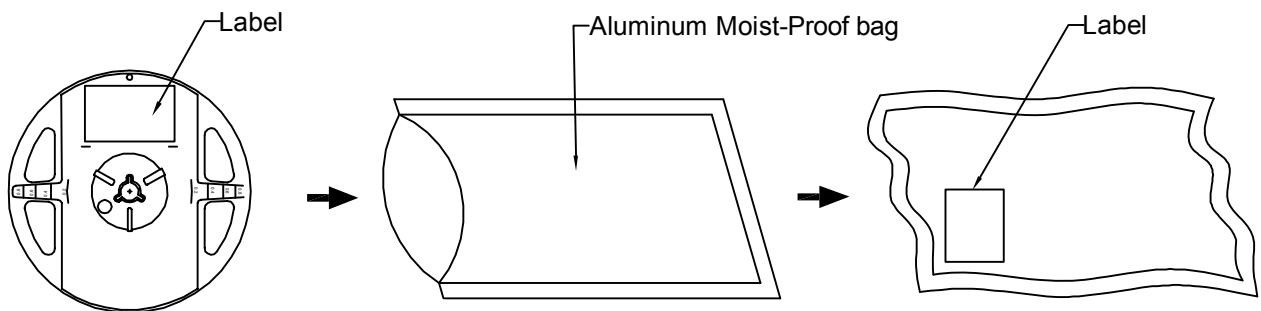


## Carrier Type Dimensions








Note : The tolerances unless mentioned is ±0.1mm,Unit=mm.


### • Packing Specifications



Part No.	Description	Quantity/Reel
LHY9553/T/TR1	12.0mm tape,7"reel	1500 PCS

## Label Explanation

	LIGITEK ELECTRONICS CO., LTD.	
	PART :	 LHY9553/T/TR1/A
	LOT :	 GS1-060288
	QTY(PCS):	 1500
	BIN/HUE :	 L/18

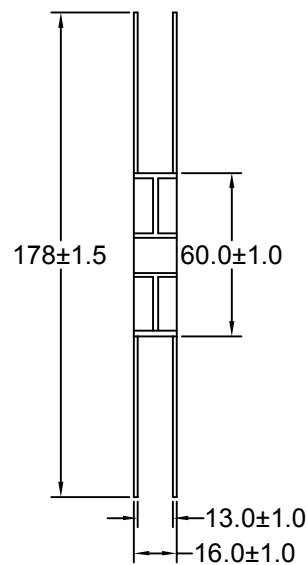
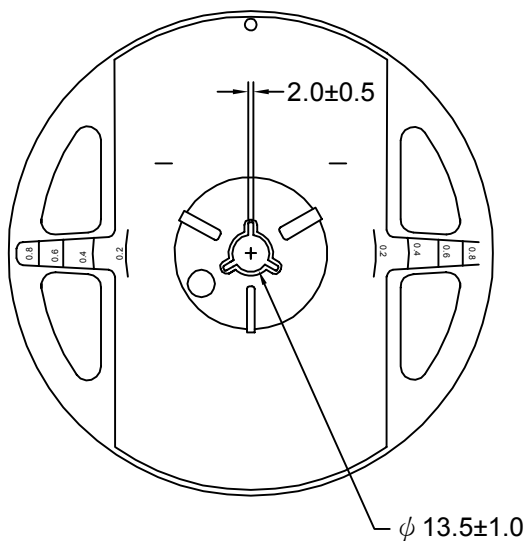
  
VF:1.7-2.4

BIN : Luminous Intensity

HUE : Dominant Wavelength

1.7-2.4 : Forward Voltage

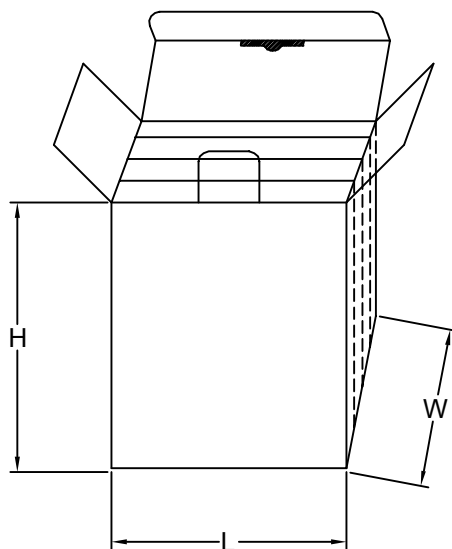
## Reel Dimensions



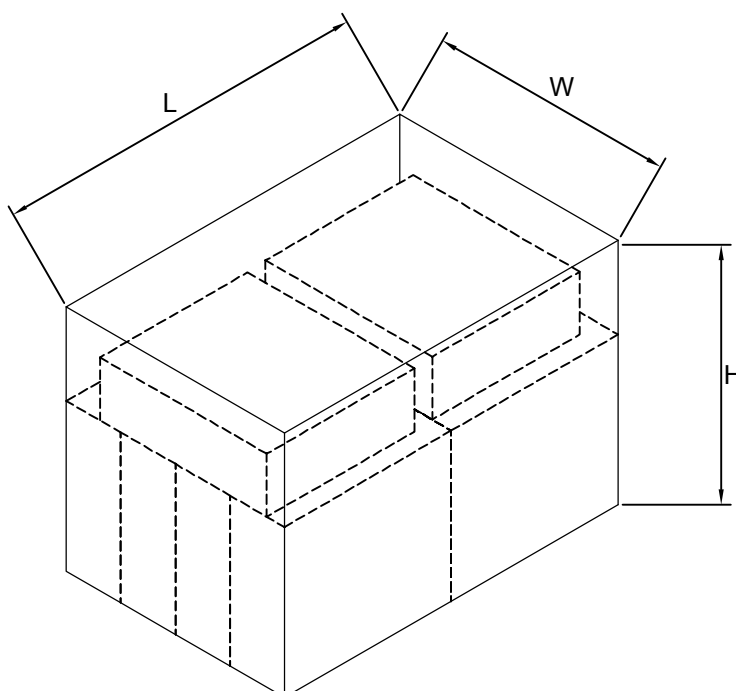


## Box Explanation

1. 4 BAG / INNER BOX
2. INNER BOX SIZE : L X W X H 23cm X 8.5cm x 26cm



3. 10 INNER BOXES / CARTON
4. CARTON SIZE : L X W X H 58cm X 34cm x 35cm

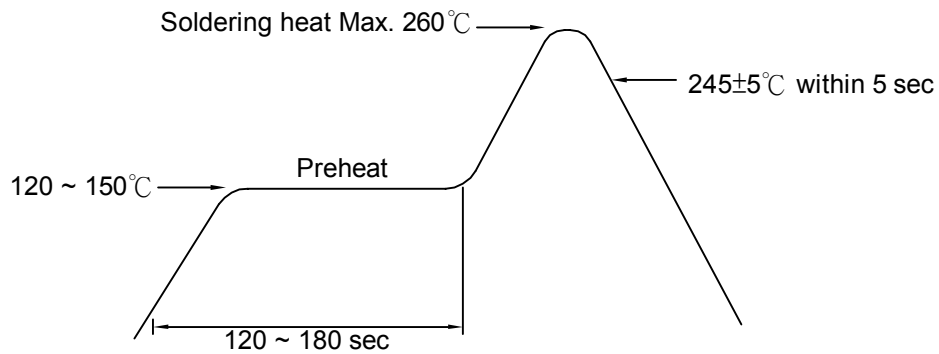


## Recommended Soldering Conditions

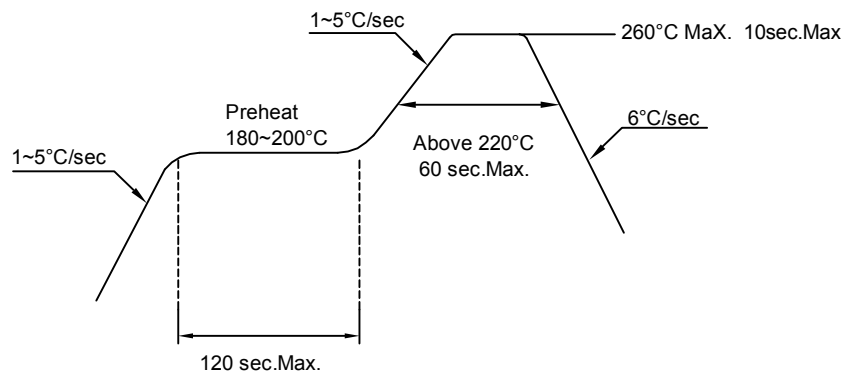
### 1. Hand Solder

Basic spec is  $\leq 320^{\circ}\text{C}$  3 sec one time only.

### 2. Wave Solder



### 3. PB-Free Reflow Solder



#### Note:

- 1.Reflow soldering should not be done more than two times.
- 2.When soldering,do not put stress on the LEDs during heating.
- 3.After soldering,do not warp the circuit board.

**Precautions For Use:****Storage time:**

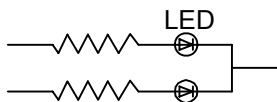
- 1.The operation of Temperatures and RH are :  $5^{\circ}\text{C}\sim 35^{\circ}\text{C}$  ,RH60%.
- 2.Once the package is opened, the products should be used within a week.  
Otherwise, they should be kept in a damp proof box with descanting agent.  
Considering the tape life, we suggest our customers to use our products within a year(from production date).
- 3.If opened more than one week in an atmosphere  $5^{\circ}\text{C} \sim 35^{\circ}\text{C}$  ,RH60%, they should be treated at  $60^{\circ}\text{C}\pm 5^{\circ}\text{C}$  for 15hrs.

**Drive Method:**

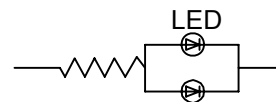
LED is a current operated device, and therefore, requirer some kind of current limiting incorporated into the driver circuit. This current limiting typically takes the form of a current limiting resistor placed in series with the LED.

Consider worst case voltage variations than could occur across the current limiting resistor. The forwr d current should not be allowed to change by more than 40% of its desired value.

Circuit model A



Circuit model B



(A) Recommended circuit.

(B) The difference of brightness between LED could be found due to the VF-IF characteristics of LED.

**Cleaning:**

Use alcohol-based cleaning solvents such as isopropyl alcohol to clean the LED.

**ESD(Electrostatic Discharge):**

Static Electricity or power surge will damage the LED. Use of a conductive wrist band or anti-electrosatic glove is recommended when handing these LED. All devices, equipment and machinery must be properly grounded.

**Reliability Test:**

(1) Test items and results

Classification	Test Item	Test Condition	Sample Size
Endurance Test	Operating Life Test	1.Ta=Under Room Temperature As Per Data Sheet Maximum Rating. 2.If=2mA 3.t=1000 hrs	22
	High Temperature Storage Test	1.Ta=105°C±5°C 2.t=500 hrs	22
	Low Temperature Storage Test	1.Ta=-40°C±5°C 2.t=1000 hrs	22
	High Temperature High Humidity Storage Test	1.IR-Reflow In-Board, 2 Times 2.Ta=85°C±5°C 3.RH=90%~95% 4.t=500hrs±2hrs	22
Environmental Test	Thermal Shock Test	1.IR-Reflow In-Board,2 times 2.Ta=105°C±5°C & -40°C±5°C (30min) (30min) 3.total 100 cycles	22
	Reflow Soldering Test	1.T.Sol=260°C±5°C 2.Dwell Time= 10 Max.	22
	Temperature Cycling	1.105°C ~ 25°C ~ -40°C 30mins 15mins 30mins 2.100 Cycles	22

(2) Criteria for judging the damage

Item	Symbol	Test Conditions	Criteria for Judgement	
			Min.	Max.
Forward Voltage	V <sub>f</sub>	I <sub>f</sub> =2mA	-	U.S.L x1.2
Reverse Current	I <sub>r</sub>	V <sub>r</sub> =5V	-	U.S.L x2.0
Luminous Intensity	I <sub>v</sub>	I <sub>f</sub> =2mA	L.S.L x 0.5	-

**Note:**

1.U.S.L.:Upper Standard Level.

2.L.S.L.:Lower Standard Level.