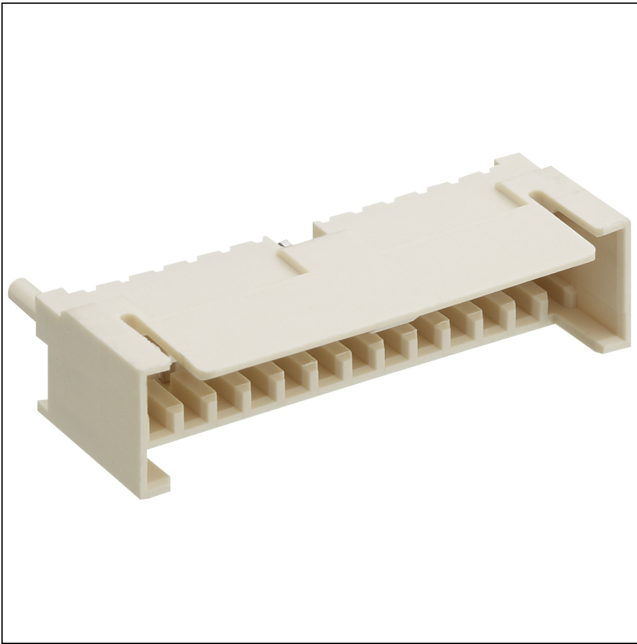


35

3556

RAST 2.5 connectors, pitch 2.5/5.0 mm



RAST 2.5 pin header, angular, with locking latch
contact pitch 5.0 mm

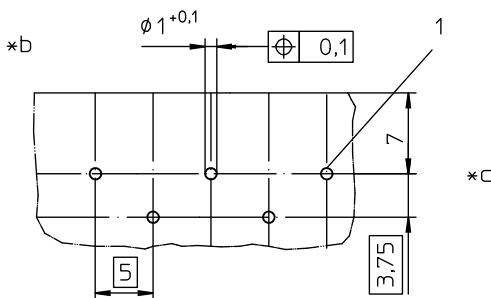
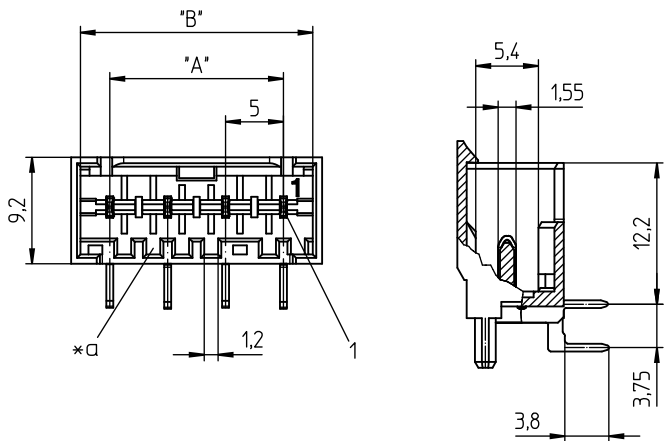
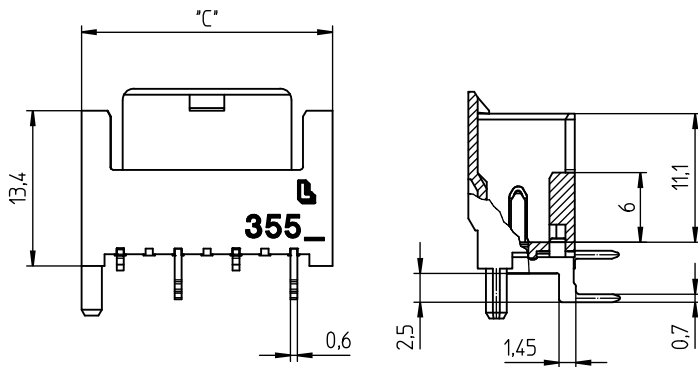
State: Active

Approvals:



35

3556



Environmental conditions

Temperature range -40 °C/+120 °C¹

¹ upper limit temperature (insulating body) RTI (electrical) of the UL Yellow Card

Materials

Insulating body PA GF, V-0 according to UL94¹
Contact pin CuZn, pre-nickel and tin-plated

¹ M12: component glow wire resistant (GWT 750 °C), testing acc. to IEC 60695-2-11, assessment acc. to IEC 60335-1 (flame < 2 s)






Mechanical data

Keying proposals at www.lumberg.com 

Electrical data (at T_{amb} 20 °C)

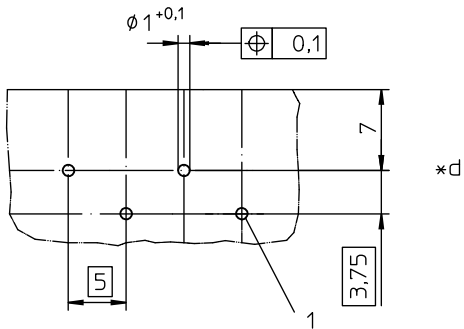
Rated current 4 A (T_u 60 °C)
2 A (T_u 100 °C)
10 A (T_u 70 °C, 3556 V04 2- bis 5-polig)
6 A (T_u 70 °C, 3556 V04 0- bis 10-polig)
Rated voltage 400 V AC
Material group IIIa (IEC)/2 (UL) (CTI ≥ 250)
Creepage distance 4,4 mm
Clearance 4,4 mm
Insulation resistance > 1 GΩ

Associated products

Counterparts
 3523  3523-2  352300
 3570  357000

35

3556



- *a keying
- *b printed circuit board layouts, solder side view
- *c uneven pole numbers
- *d even pole numbers

35

3556

Designation	Pole Number	PU (Pieces)	MDQ (Pieces)	Dimensions		
				A (mm)	B (mm)	C (mm)
3556 02	2	1000	2000	5	10.1	11.7
3556 03	3	1000	2000	10	15.1	16.7
3556 04	4	500	2000	15	20.1	21.7
3556 05	5	500	2000	20	25.1	26.7
3556 06	6	250	2000	25	30.1	31.7
3556 07	7	250	2000	30	35.1	36.7
3556 08	8	250	2000	35	40.1	41.7
3556 09	9	250	2000	40	45.1	46.7
3556 10	10	250	2000	45	50.1	51.7

Designation to be completed by further details (e.g. for keying, color or material options).

Packaging:

in bulk, in a cardboard box