

### GT-TC152X-HXXX-LX

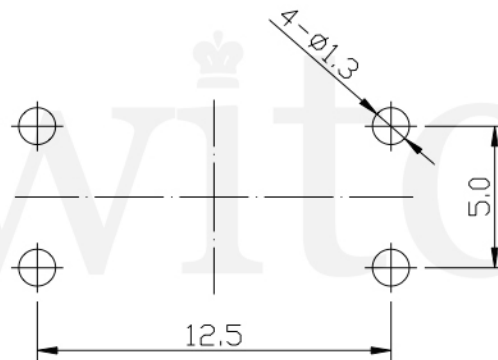
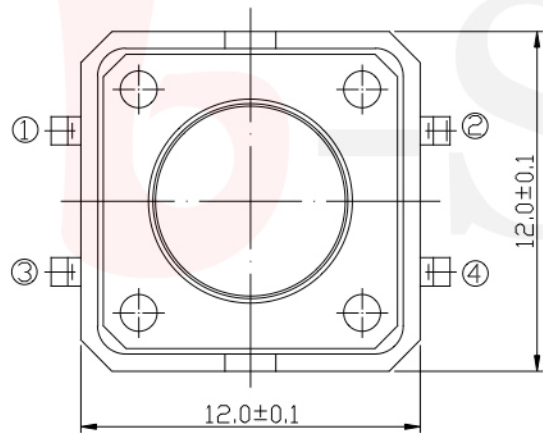
G-SWITCH

**Operating Force**  
 A=160gf  
 B=250gf  
 C=100gf

**Switch lifetime (Force)**  
 L05=50,000 Cycles  
 L1=100,000 Cycles  
 L3=300,000 Cycles  
 L5=500,000 Cycles

**Switch Height (mm)**

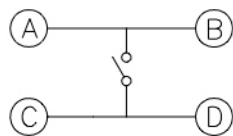
- H038=3.8 H043=4.3
- H045=4.5 H050=5.0
- H055=5.5 H060=6.0
- H065=6.5 H070=7.0
- H075=7.5 H080=8.0
- H085=8.5 H090=9.0
- H095=9.5 H100=10.0
- H105=10.5 H110=11.0
- H115=11.5 H120=12.0
- H125=12.5 H130=13.0
- H135=13.5 H140=14.0
- H145=14.5 H150=15.0
- H155=15.5 H160=16.0
- H165=16.5 H170=17.0



**P.C.B LAND DIMENSION**

**G-Switch Specification:**

Operating temperature range : -30°Cto+85°C  
 Rating : 50mA.12V DC  
 Insulation resistance: : 100MΩ min.100V DC  
 Dielectric strength : 250V AC for 1 min  
 Contact resistance: : 100m Ω max.  
 Travel:0.25±0.1mm



电路简图  
**SCHEMATIC**



**G-Switch Electronic (HongKong) CO.,Ltd.**

Unless otherwise specified, Tolerance:  
 X. ±0.30  
 X.x ±0.20  
 X.xx ±0.15  
 X.xxx ±0.10  
 Angles ±3°

DESIGN FengFengChen DATE 2019.05.29  
 CHECKED DATE  
 APPROVED DATE  
<http://www.dg-switch.com>  
 TEL:0769-82388879

Molde code:  
**GT-TC152X-HXXX-LX**  
 REV.: X1 SCALE: 4:1 UNIT: mm  
 SIZE: A4 SHEET: 1/1