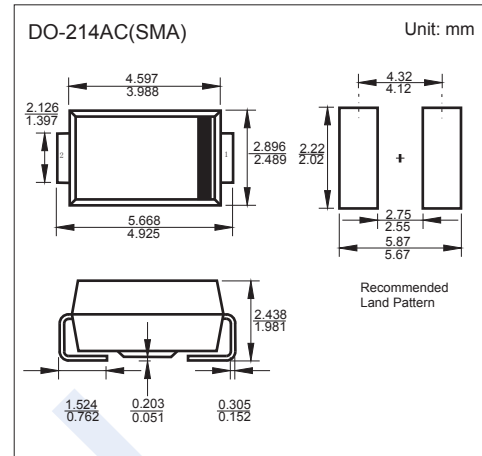


Rectifier Diodes

1N4001-HF~1N4007-HF

■ Features

- The plastic package carries Underwriters Laboratory
- Flammability Classification 94V-0
- Construction utilizes void-free
- molded plastic technique
- Low reverse leakage
- High forward surge current capability
- Pb-Free Package May be Available. The G-Suffix Denotes a Pb-Free Lead Finish



■ Absolute Maximum Ratings $T_a = 25^\circ\text{C}$

Parameter	Symbol	1N	1N	1N	1N	1N	1N	1N	Unit	
		4001-HF	4002-HF	4003-HF	4004-HF	4005-HF	4006-HF	4007-HF		
Peak Reverse Voltage	V_{RRM}	50	100	200	400	600	800	1000	V	
RMS Voltage	V_{RMS}	35	70	140	280	420	560	700		
DC Blocking Voltage	V_{DC}	50	100	200	400	600	800	1000		
Forward Voltage @ $I_F=1A$	V_F	1.1								A
Average Rectified Rectified Current	I_{AV}	1								
Peak Forward Surge Current @ 8.3ms	I_{FSM}	30								uA
Reverse Voltage Leakage Current	I_R	$T_a = 25^\circ\text{C}$							5	
		$T_a = 75^\circ\text{C}$							50	
Typical junction capacitance	C_J	15							pF	
Thermal Resistance Junction to Ambient (Note.1)	$R_{\theta JA}$	50							$^\circ\text{C}/\text{W}$	
Junction Temperature	T_J	175							$^\circ\text{C}$	
Storage Temperature range	T_{stg}	-65 to 175								

Note.1: Measured at 1MHz and applied reverse voltage of 4.0V D.C.

■ Marking

NO.	1N4001-HF	1N4002-HF	1N4003-HF	1N4004-HF	1N4005-HF	1N4006-HF	1N4007-HF
Marking	A1 _F	A2 _F	A3 _F	A4 _F	A5 _F	A6 _F	A7 _F

Rectifier Diodes

1N4001-HF~1N4007-HF

■ Typical Characteristics

