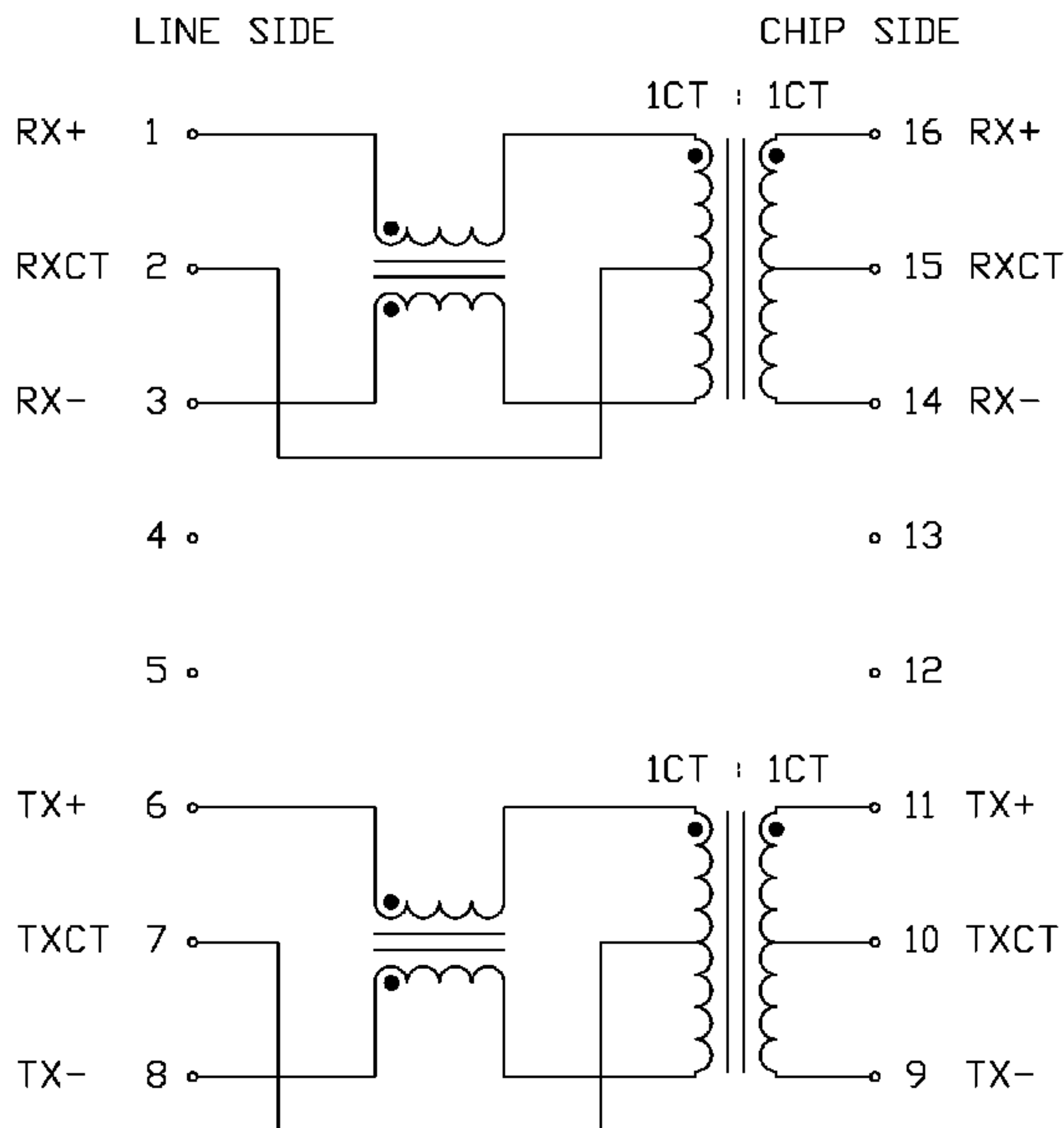


THE INFORMATION CONTAINED HEREIN IS CONSIDERED "PROPRIETARY" TO BEL FUSE INC. AND SHALL NOT BE COPIED, REPRODUCED OR DISCLOSED WITHOUT THE WRITTEN APPROVAL OF BEL FUSE INC.



ELECTRICAL CHARACTERISTICS @25°C

SCHEMATIC



URNS RATIO

PIN 1-2-3 : 16-15-14

PIN 6-7-8 : 11-10-9

1CT : 1CT

1CT : 1CT

DCL @ 100kHz/100mVrms

W/8mA DC BIAS

PIN 16-14

11-9

350μH MIN.

LEAKAGE INDUCTANCE (Le)

@ 1MHz, 20mV

PIN 16-14 SHORT 1-3

PIN 11-9 SHORT 6-8

300nH MAX.

INTERWINDING CAPACITANCE (Cw/w)

@ 1MHz, 20mV

PIN 1-3 TO 16-14

PIN 6-8 TO 11-9

30pF MAX.

INSERTION LOSS

100kHz-100MHz

1.0dB MAX.

RETURN LOSS

@ 1MHz-30MHz

@ 30-60MHz

@ 60-80MHz

18dB MIN.

18-20 LOG (F/30MHz) MIN.

12dB MIN.

CROSSTALK

@ 100kHz-100MHz

35dB MIN.

CM TO CM MODE REJ.

@ 100kHz-100MHz

30dB MIN.

CM TO DM MODE REJ.

@ 100kHz-100MHz

40dB MIN.

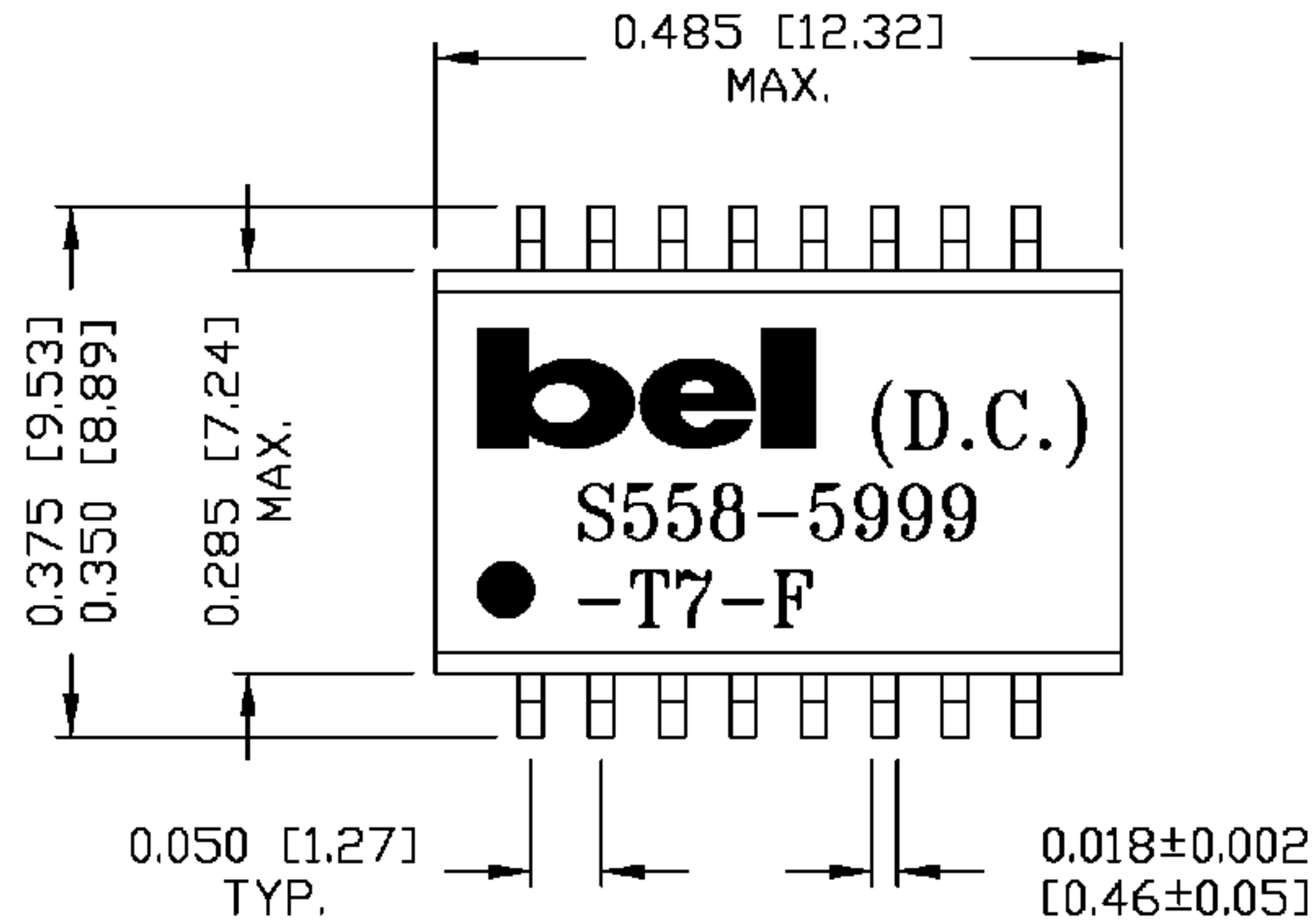
HIPOT

PER HAND-WORK-03

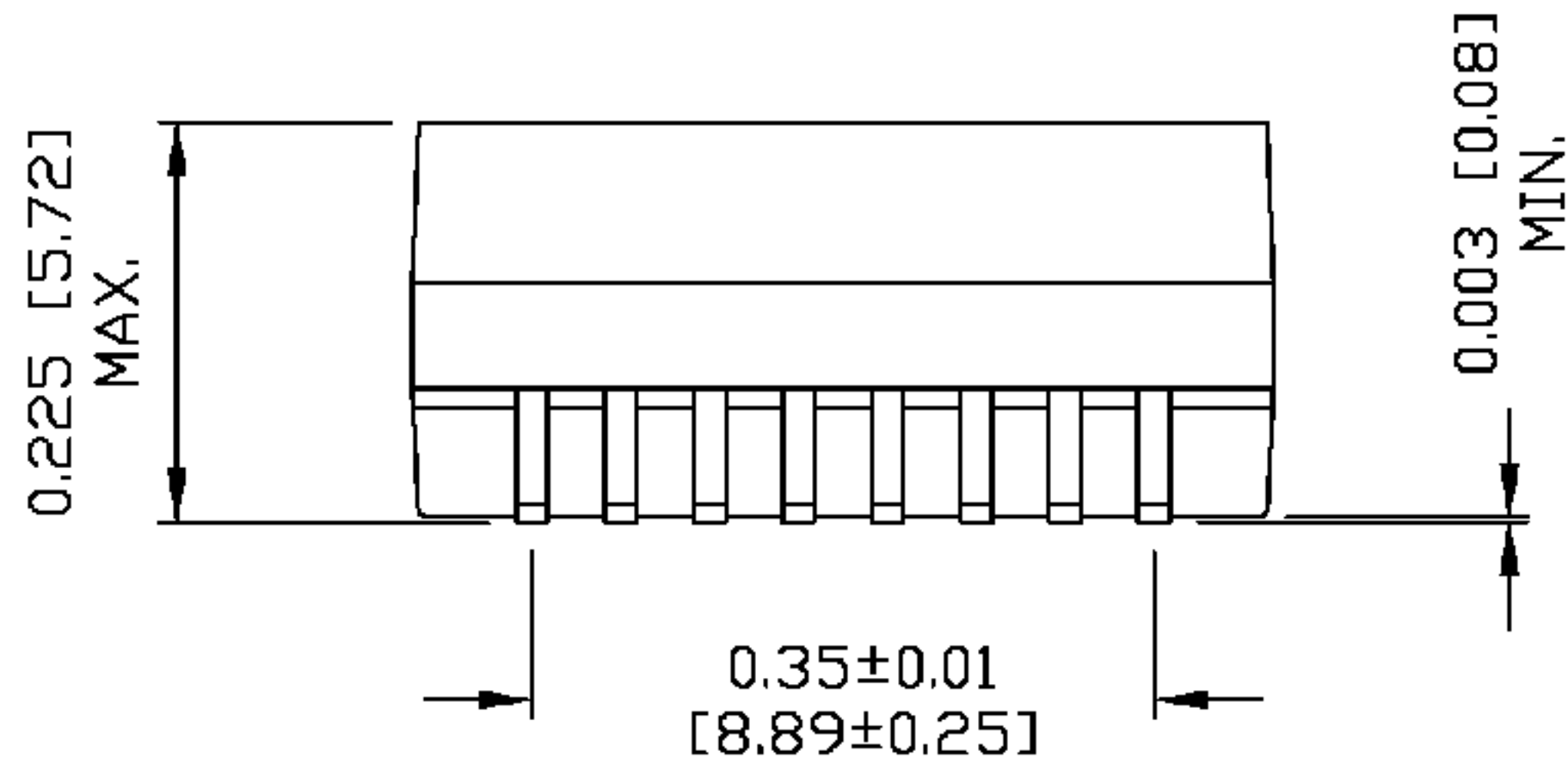
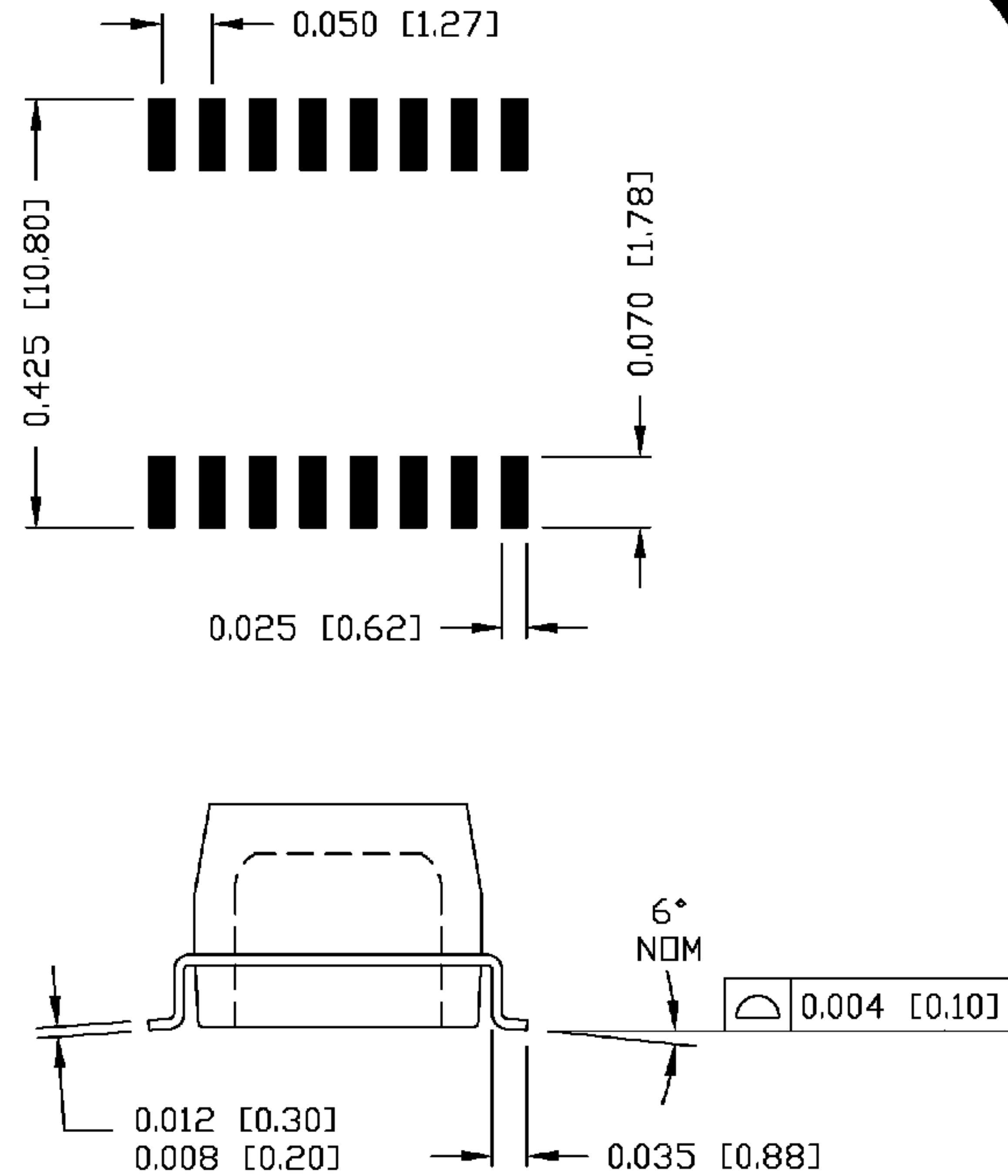
ORIGINATED BY	DATE	TITLE	PART NO. / DRAWING NO.	STANDARD DIM. TOL. IN INCH	[] METRIC DIM. AS REFERENCE
H□	05-25-05	10/100BT MAGNETIC MODULE S558-5999-T7-F	X5585999T7-F	.X	UNIT : INCH [mm] REV. : A
DRAWN BY	DATE		FILE NAME	.XX	SCALE : N/A SIZE : A4
DQ Chen	05-25-05		X5585999T7FA.DWG	.XXX	PAGE : 2



THE INFORMATION CONTAINED HEREIN IS CONSIDERED "PROPRIETARY" TO BEL FUSE INC. AND SHALL NOT BE COPIED, REPRODUCED OR DISCLOSED WITHOUT THE WRITTEN APPROVAL OF BEL FUSE INC.



SUGGESTED PCB PAD LAYOUT



NOTES:

1. STANDARD MARKING REFER TO DOC. HAND-WORK-04.
2. PACKAGE CODE: "QBS001".

ORIGINATED BY	DATE	TITLE	PART NO. / DRAWING NO.	STANDARD DIM. TOL. IN INCH	[] METRIC DIM. AS REFERENCE	 COMPONENTS FOR A CONNECTED PLANET	
HD	05-25-05	MECHANICAL DRAWING	X5585999T7-F	.X	UNIT : INCH [mm]		REV. : A
DRAWN BY	DATE	S558-5999-T7-F	FILE NAME	.XX	SCALE : N/A		SIZE : A4
DQ Chen	05-25-05		X5585999T7FA.DWG	.XXX			PAGE : 3