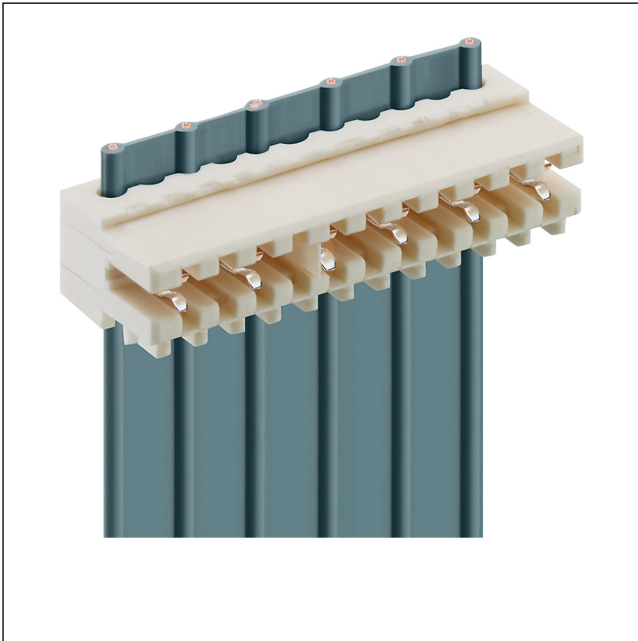



35

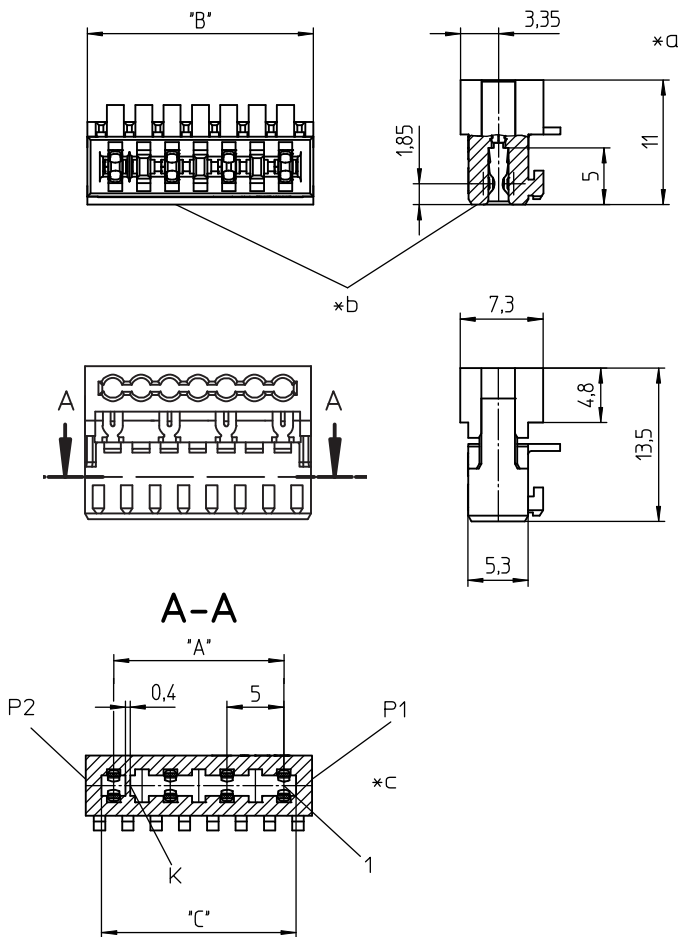
3511-1

RAST 2.5 connectors, pitch 2.5/5.0 mm



RAST 2.5 connector for direct mating, insulation displacement technology (IDT), alternatively with or without keying rib and closed sides, for ribbon cable, daisy chain possible
contact pitch 5.0 mm

Approvals: 



Environmental conditions

Temperature range -40 °C/+130 °C¹

¹ upper limit temperature (insulating body) RTI (electrical) of the UL Yellow Card


Materials

Insulating body PBT, V-0 according to UL94 – 3511-1 (S...V...)
PA, V-2 according to UL94 – 3511-1 M12(S...V...)¹


Contact spring CuSn, tin-plated – 3511-1 (M...S...)
CuSn, tin-plated (Sn/Ag), 2-9 poles – 3511-1 (M...S...)V03
CuSn, pre-nickel and gold-plated – 3511-1 (M...S...)V102

¹ M12: component glow wire resistant (GWT 750 °C), testing acc. to IEC 60695-2-11, assessment acc. to IEC 60335-1 (flame < 2 s)

Mechanical data

Mating with printed circuit board 1.5 ± 0.14 mm
Insertion force/contact ≤ 4,0 N
Withdrawal force/contact ≥ 0,5 N
Keying proposals at www.lumberg.com 

Connectable conductors for IDT area

Construction flat cable 2.5 mm
Section min. 0,14 mm²
Section max. 0,38 mm²
Insulation diameter ≤ 1,6 mm
Approved cables at www.lumberg.com 

Electrical data (at T_{amb} 20 °C)

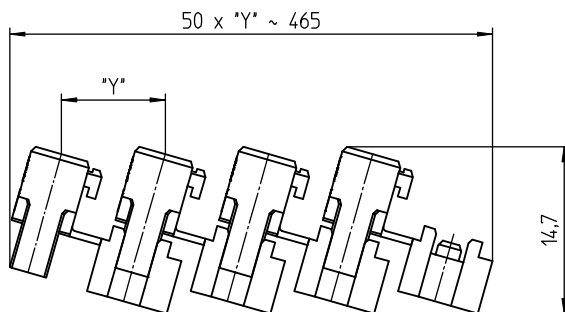
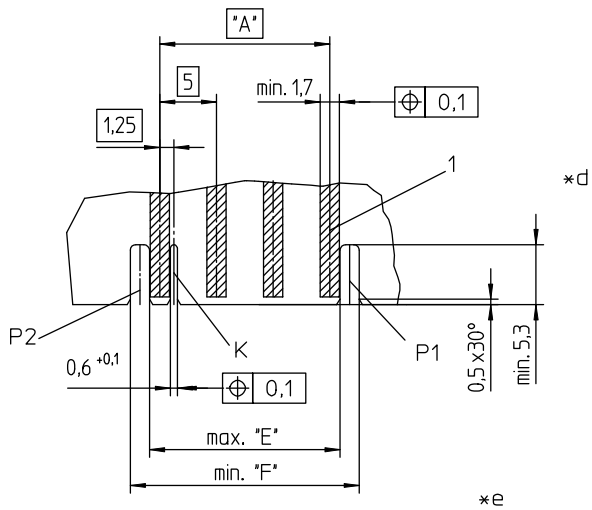
Contact resistance ≤ 5 mΩ
Rated current 4 A (T_{sub>U} > 60 °C)
2 A (T_{sub>U} > 100 °C)
Rated voltage 250 V AC
Material group IIIa (IEC)/2 (UL) (CTI ≥ 250)
Creepage distance 3,1 mm
Clearance 3,1 mm
Insulation resistance > 1 GΩ</sub></sub>

35

3511-1

Associated products

Harnessing equipment
☑ HZ35-K



- *a terminated connector
- *b color marking:
3511-1 (M..)S01 blue
3511-1 (M..)S02 green
3511-1 (M..)S03 brown
- *c K = keying (alternatively)
P1, P2 = positioning (alternatively)
- *d example for printed circuit board layout
- *e chaining of the component parts (state of delivery)

35

3511-1

Designation	Pole Number	PU (Pieces)	MDQ (Pieces)	Dimensions				
				A (mm)	B (mm)	C (mm)	E (mm)	F (mm)
3511-1 02	2	3600	3600	5.0	9.9	7.0	6.95	10.1
3511-1 03	3	2250	4500	10.0	14.9	12.0	11.95	15.1
3511-1 04	4	1800	3600	15.0	19.9	17.0	16.95	20.1
3511-1 05	5	1350	2700	20.0	24.9	22.0	21.95	25.1

Designation to be completed by further details (e.g. for keying, color or material options).

Packaging:

chained, in a cardboard box