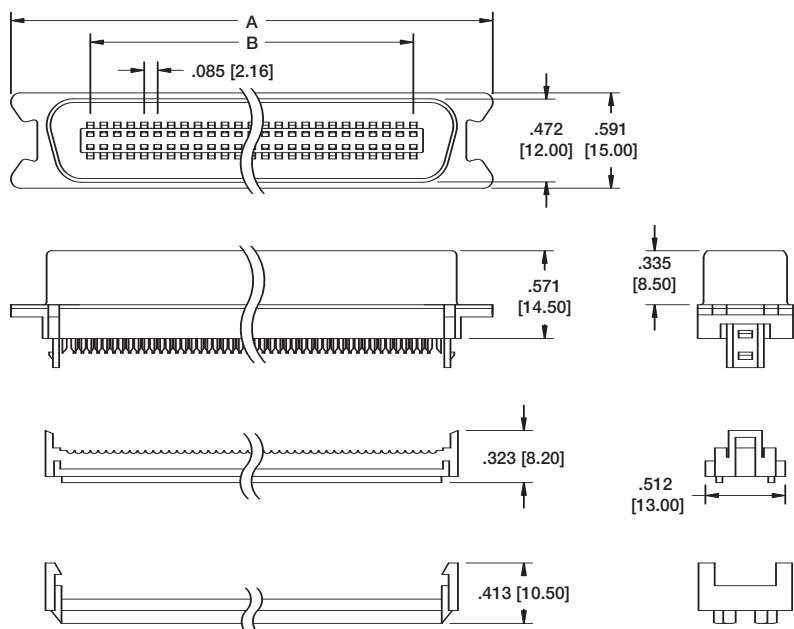


Ordering Information pg. 120

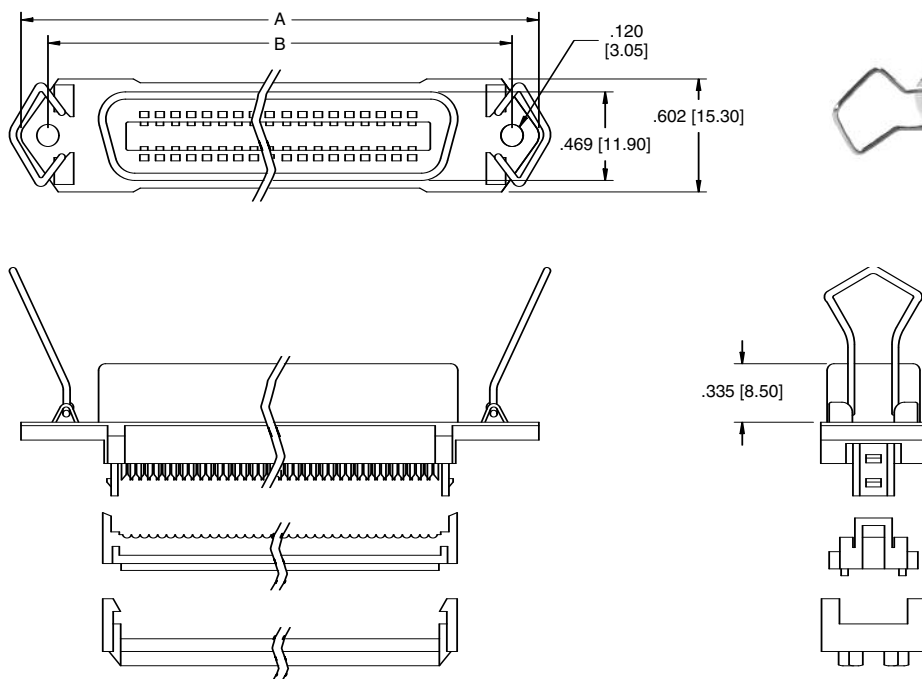
#### IDC FLAT CABLE - PLUG



MR36-PF-2

MRXX	NO. OF CONTACTS	DIMENSIONS	
		A	B
MR14	14	1.516 [38.50]	.510 [12.96]
MR24	24	1.941 [49.30]	.935 [23.76]
MR36	36	2.425 [61.60]	1.446 [36.72]
MR50	50	3.020 [76.70]	2.041 [51.84]

#### IDC FLAT CABLE - SOCKET



MR36-SF-1-LI