

# STP Series

## Toroidal Power Transformers

### Power in the Round 100 VA to 2000 VA

The STP series of transformers offer VA power ranges from 100 VA to 2000 VA inclusive. These standard transformer products share common lead lengths, colors, mounting configurations and more. The STP series are designed to comply with international safety standards.

#### Benefits

- Minimal core losses
- Low profile
- Power/mass efficient
- Reduced EMI
- Low dB
- RoHS compliant

#### General Specifications

- Power - 100 VA to 2000 VA
- Dual Primaries - 2 x 115 V / 50-400 Hz
- Dual Secondaries - Standard outputs 2 x 115 V with multiple output configurations available
- Connections: 12.0" color-coded stranded leads
- Supplied with mounting hardware set; screw, nut, top plate and 2 rubber pads
- Insulation System - UL 1446 Class B, 130° C

#### Agency Certifications

- Component certifications for North American and IEC/EN standards available on request
- UL recognized to UL 506 / UL 5085, File # E63829



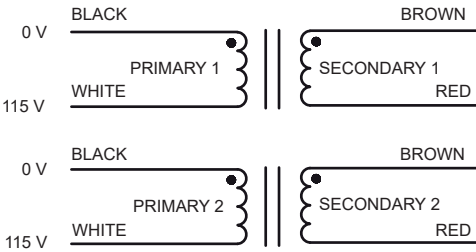
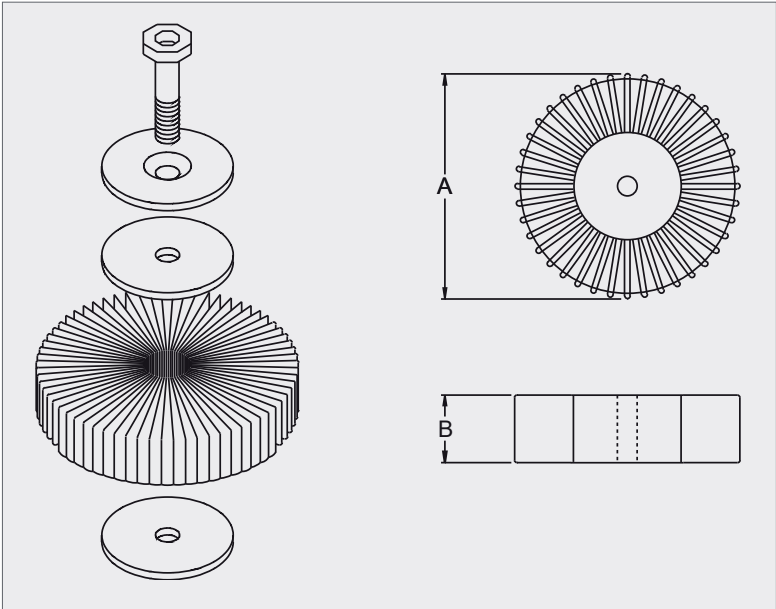
## Part Number Selection

Part Number <sup>1</sup>	Power Range	Dimensions <sup>2</sup> Inches (mm)		Weight	Recomm. Fastener Size
	VA	A	B	lbs (kg)	
STP-0100-2115	100	4.2 (105)	1.4 (35)	2.86 (1.3)	#8
STP-0150-2115	150	4.6 (116)	1.7 (42)	4.40 (2.0)	#10
STP-0200-2115	200	4.8 (120)	1.9 (48)	5.30 (2.4)	1/4"
STP-0250-2115	250	5.0 (127)	2.0 (50)	6.40 (2.9)	1/4"
STP-0300-2115	300	5.1 (128)	2.2 (55)	7.0 (3.2)	1/4"
STP-0400-2115	400	5.3 (133)	2.8 (70)	10.3 (4.7)	5/16"
STP-0500-2115	500	5.6 (140)	2.9 (72)	12.1 (5.5)	3/8"
STP-0600-2115	600	6.1 (155)	2.9 (72)	14.8 (6.7)	3/8"
STP-0800-2115	800	6.7 (170)	2.9 (72)	18.0 (8.2)	3/8"
STP-1000-2115	1000	7.1 (180)	3.1 (78)	22.1 (10.0)	3/8"
STP-1200-2115	1200	7.8 (198)	3.2 (80)	29.5 (13.4)	3/8"
STP-1600-2115	1600	8.3 (210)	3.4 (86)	35.3 (16.0)	1/2"
STP-2000-2115	2000	9.2 (232)	3.6 (90)	44.1 (20.0)	1/2"

**Notes:**

- STP transformers having dual secondary windings may be ordered by specifying the power range, output voltage and current requirements.  
(A 250 VA transformer with two 24 V secondary windings = STP-0250-2024. A 1200 VA transformer with two 120 V windings = STP-1200-2120.)  
Where dissimilar or multiple output configurations are required, please contact Customer Service for additional information. In all cases, a serialized part number will be assigned to the final product label.
- The dimension profiles depicted for each VA range are for standard transformers with 2 x 115 V output configurations. Dimensions of transformers with multiple outputs, dissimilar outputs or ELV outputs may vary.

## Mechanical Specifications



**Custom versions available upon request.**

128 Atlantic Avenue, Lynbrook, NY 11563

Toll Free 866-239-5777 | Tel 516-239-5777 | Fax 516-239-7208

sales@signaltransformer.com | techhelp@signaltransformer.com

[belfuse.com/signal](http://belfuse.com/signal)

