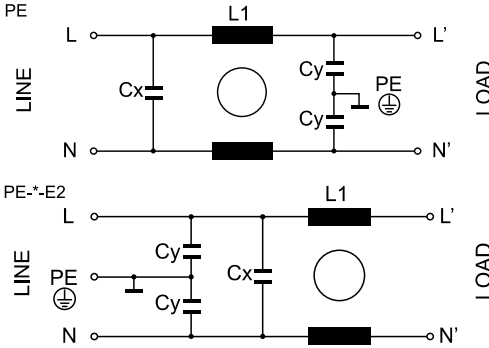


# PE

## General Purpose

RFI Power Line Filters

### Electrical schematics



### General Specifications

Maximum operating voltage: 250Vac.  
 Operating frequency: DC - 60Hz.  
 Hipot test voltage: L/N->PE: 1800Vac 2s.  
 L->N: 1700 Vdc 2s.  
 Application class: HPF Acc. TO DIN 40040  
 (-25°C/+85°C/95% RH, 30d).  
 Flammability class: UL 94 V2.

### General Purpose

Plastic case filter for PCB mounting.  
 Low cost and space saving filter.  
 Good attenuation for wide frequency range.  
 Low leakage current < 0,25 mA.  
 For digital logic circuits.

### Product List

TYPE	I	L1	CX	CY	HOUSING	L.CURRENT	CONNECTION	WEIGHT ±g
PE-05V	0,5 Amp	20 mH	10 nF	2,2 nF	201	0,21 mA	PIN 0,8mm	27
PE-05V-E2					202		PIN 0,8mm	
PE-1V	1 Amp	10 mH	10 nF	2,2 nF	201	0,21 mA	PIN 0,8mm	28
PE-1V-E2					202		PIN 0,8mm	
PE-3V	3 Amp	1,3 mH	10 nF	2,2 nF	201	0,21 mA	PIN 0,8mm	28
PE-3V-E2					202		PIN 0,8mm	
PE-6V	6 Amp	0,8 mH	10 nF	2,2 nF	201	0,21 mA	PIN 0,8mm	27
PE-6V-E2					202		PIN 0,8mm	

### Insertion Loss

