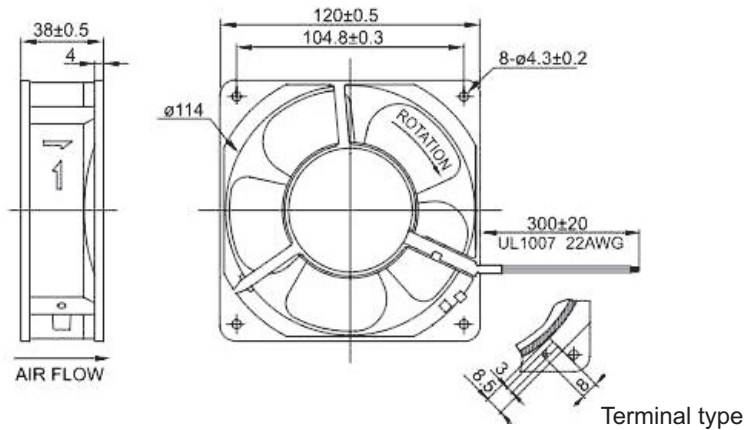


# OA109AP-IP55



AC Fan - 115V,230V  
120 x 38mm (4.7"x1.5")



Frame	Diecast Aluminum	<u>Operating Temperature</u> -20C ~ +70C  <u>Life Expectancy</u> >40,000 hours (L10, 40C)  Rated IP55  Class B Insulation  Weight: ~ 1.05 lbs.  m2	<p>The graph plots Static Pressure (H<sub>2</sub>O) on the y-axis (0.00 to 0.35) against Airflow (CFM) on the x-axis (0 to 120). The curve starts at approximately 0.32 H<sub>2</sub>O at 0 CFM and decreases to 0.00 H<sub>2</sub>O at 120 CFM.</p>
Impeller	PBT, UL94V-O plastic		
Connection	Terminals		
Motor	AC shaded pole, impedance		
Bearing System	Dual ball		
Insulation Resistance	>100M ohm between lead-wire and frame		
Dielectric Strength	1 min at 1500 VAC, 50/60Hz		

Model Number	OA109AP-11-1TBIP55	OA109AP-22-1TBIP55
Part Number	210315302	210615302
Nominal Voltage	115 VAC	230 VAC
Nominal Current	0.16A	.08A
Rated Power	12 W (60Hz)	15 W (60Hz)
Rated Speed (RPM)	3100	3100
Airflow (CFM)	106	106
Noise Level (dB)	46	46
Max. Static Pressure	0.32" H <sub>2</sub> O	0.32" H <sub>2</sub> O