



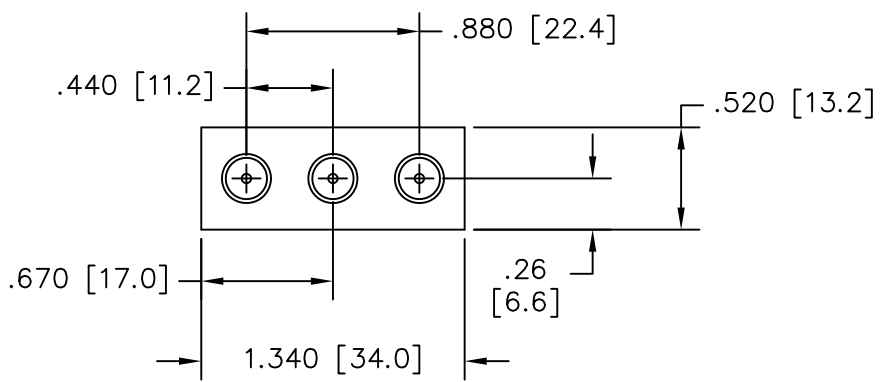
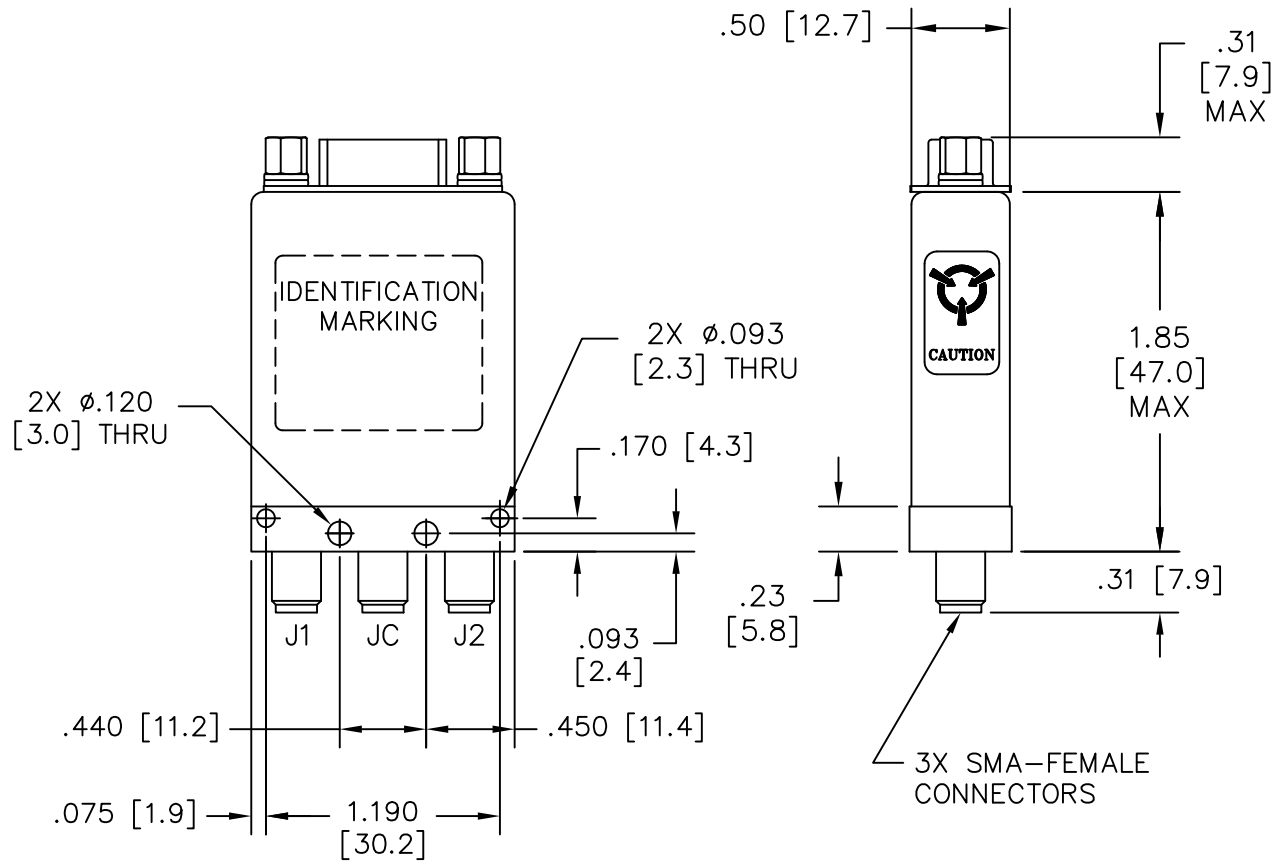
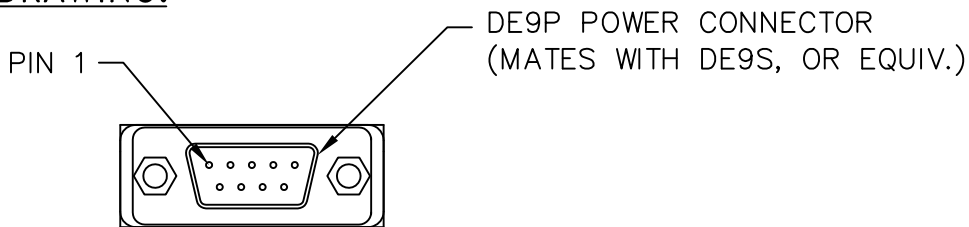
REVISIONS			
REV.	DESCRIPTION	DATE	APPROVED
B	REVISED PER ECO #9850	5/13/10	K.R.
C	REVISED PER ECO #10179	8/18/11	K.R.

Nominal Coil Voltage	Part Number
12 Vdc	401JW-4208
28 Vdc	401JW-4308

Dow-Key has certified the product line to meet the passive intermodulation limits specified herein. PIM measurements may vary when different carrier frequencies, power levels, and/or PIM frequencies are used in the final application. PIM testing is not conducted as a part of the standard product acceptance test.

REVISIONS	C	C	C				 DowKey® Microwave CORPORATION	4822 McGrath Street Ventura, CA. 93003-5641 PH: (805) 650-0260 FAX: (805) 650-1734
SHEET NO.	1	2	3					
APPROVALS		DATE						SWITCH, SPDT, LATCHING SELF CUT-OFF SMA-FEMALE CONNECTORS, DE9P DC CONN. LOW PASSIVE INTERMODULATION, (PIM)
DRAWN	S. LEE		11/24/09					
ENG	S. LEE		12/01/09					
ENG. MGR.	G. NICKLAUS		12/04/09					
SALES MGR.	J. TRUJILLO		12/08/09					
Q.A. MGR.	R. MATSUMOTO		12/10/09					
MFG. MGR.	R. GONZALEZ		12/10/09			CODE IDENT. NO. 00471	DWG. NO. 401JW-4X08	
SCALE		NONE		FINAL ASSY:		SHEET 1 OF 3		

OUTLINE DRAWING:



[] MILLIMETERS

UNLESS OTHERWISE SPECIFIED TOLERANCES ARE: .XXX ±.010 ANGLES: ±3° .XX ±.030	CODE IDENT. NO. 00471	DWG. NO. 401JW-4X08	REV. C
	SCALE NONE	SHEET 2 OF 3	

SPECIFICATIONS:

1. RF CHARACTERISTICS:

1.1 FREQUENCY (GHz):	DC-1	1-4	4-8	8-12	12-18
1.2 VSWR (RATIO MAX):	1.10:1	1.15:1	1.20:1	1.30:1	1.35:1
1.3 INSERTION LOSS (dB MAX):	0.10	0.15	0.20	0.30	0.35
1.4 ISOLATION (dB MIN):	85	80	70	65	60
1.5 RF POWER (WATTS CW MAX):	200	150	125	75	60
1.6 PASSIVE INTERMODULATION:					

TEST SIGNALS: CARRIER FREQUENCY 1: 1930 MHz, APPROXIMATELY 43dBm (20W)
 CARRIER FREQUENCY 2: 1990 MHz, APPROXIMATELY 43dBm (20W)
 SPECIFICATION REQUIREMENT: 3rd ORDER PIM PERFORMANCE: BELOW -160 dBc
 3rd ORDER PIM FREQUENCY: 1870 MHz

2. ACTUATION DATA:

2.1	NOMINAL VOLTAGE	OPERATING VOLTAGE	CURRENT (MAX) @ NOMINAL VOLTAGE & 25°C
	12	11-16	75mA
	28	24-32	120mA

2.2 SWITCHING TIME: 15ms MAX
 2.3 OPERATING MODE: LATCHING SELF CUT-OFF

3. MECHANICAL:

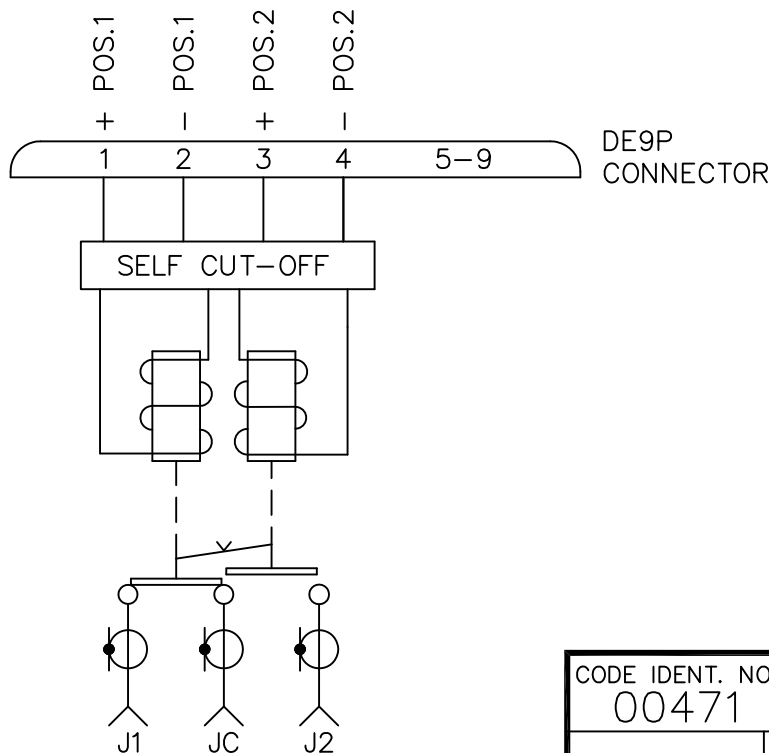
3.1 RF CONTACTS: BREAK BEFORE MAKE
 3.2 WEIGHT: 1.7oz. (48g.) NOMINAL
 3.3 DESIGN LIFE: 1,000,000 CYCLES MIN

4. ENVIRONMENTAL:

4.1 OPERATING TEMPERATURE: -25°C TO +65°C
 4.2 STORAGE TEMPERATURE: -55°C TO +85°C
 4.3 SEAL: EPOXY SEALED

SCHEMATIC:

SCHEMATIC SHOWN IN POSITION 1



CONNECTOR PIN-OUT	
PIN	FUNCTION
1	+ POS. 1
2	- POS. 1
3	+ POS. 2
4	- POS. 2
5-9	SPARE

CODE IDENT. NO. 00471	DWG. NO. 401JW-4X08	REV. C
SCALE NONE	SHEET 3 OF 3	