

**PLEASE CHECK WWW.MOLEX.COM FOR LATEST PART INFORMATION**

**Part Number:** [0022552502](#)  
**Status:** **Active**  
**Overview:** [cgrid\\_sl\\_products](#)  
**Description:** 2.54mm (.100") Pitch SL™ Crimp Housing, Dual Row, Version B, Polarized, 50 Circuits

**Documents:**

|   |  |
|---|--|
| <a href="#">3D Model</a>                      | <a href="#">Product Specification PS-70058 (PDF)</a> |
| <a href="#">Drawing (PDF)</a>                 | <a href="#">Product Specification PS-70400 (PDF)</a> |
| <a href="#">Packaging Specification (PDF)</a> | <a href="#">RoHS Certificate of Compliance (PDF)</a> |

**Agency Certification**

|     |         |
|-----|---------|
| CSA | LR19980 |
| UL  | E29179  |

**General**

|                |                                   |
|----------------|-----------------------------------|
| Product Family | Crimp Housings                    |
| Series         | <a href="#">70450</a>             |
| Comments       | Version B                         |
| Overview       | <a href="#">cgrid_sl_products</a> |
| Product Name   | SL™                               |

**Physical**

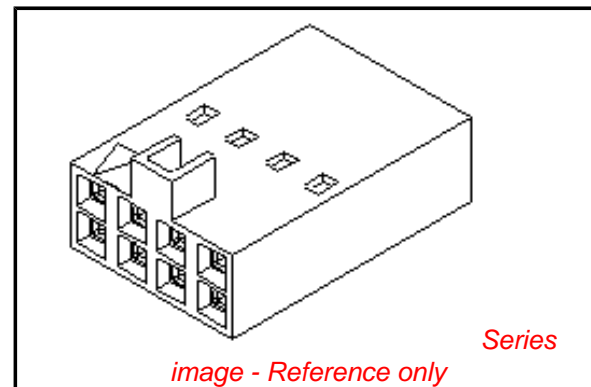
|                               |                 |
|-------------------------------|-----------------|
| Breakaway                     | No              |
| Circuits (maximum)            | 50              |
| Color - Resin                 | Black           |
| Flammability                  | 94V-0           |
| Gender                        | Female          |
| Glow-Wire Compliant           | No              |
| Material - Resin              | Polyester       |
| Number of Rows                | 2               |
| Packaging Type                | Bag             |
| Panel Mount                   | No              |
| Pitch - Mating Interface (in) | 0.100 In        |
| Pitch - Mating Interface (mm) | 2.54 mm         |
| Stackable                     | No              |
| Temperature Range - Operating | -40°C to +105°C |

**Material Info**

|                 |            |
|-----------------|------------|
| Old Part Number | 70450-0073 |
|-----------------|------------|

**Reference - Drawing Numbers**

|                         |                    |
|-------------------------|--------------------|
| Packaging Specification | PK-70450-100       |
| Product Specification   | PS-70058, PS-70400 |
| Sales Drawing           | SD-70450-0050-0075 |
| Test Summary            | TS-70058-001       |



**EU RoHS**

**ELV and RoHS Compliant**  
**REACH SVHC**  
 Not Reviewed  
**Halogen-Free Status**

**China RoHS**



**Not Halogen-Free**

**Need more information on product environmental compliance?**

Email [productcompliance@molex.com](mailto:productcompliance@molex.com)  
 For a multiple part number RoHS Certificate of Compliance, [click here](#)

Please visit the [Contact Us](#) section for any non-product compliance questions.

**Search Parts in this Series**

[70450Series](#)

**Mates With**

[70246](#) Straight Header, [70247](#) Right Angle Header, [87256](#), [87257](#)

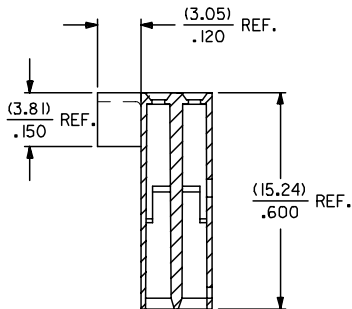
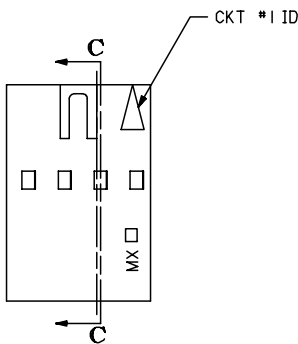
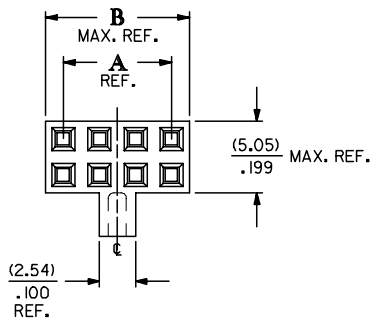
**Use With**

[70058](#) , [71851](#)

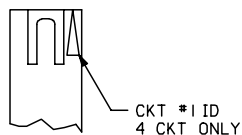
**NOTES:**

1. MATERIAL: G.F. POLYESTER
2. HOUSING TO BE USED WITH TERMINAL NOS. 70028, 70058, AND 71851.
3. HOUSING TO BE USED WITH (0.64)/.025 SQUARE OR ROUND PINS.
4. REFER TO MOLEX PRODUCT SPECIFICATION PS-70058.
5. PACKAGE PER PK-70450-100.
6. PARTS CONFORM TO CLASS C OF COSMETIC SPECIFICATION PS-45499-002.

**OPTION "B"**



**SECTION C-C**



| CKT. SIZE | EDP. NO.    | ENG. NO.   | DIM "A" REF.     | DIM "B" MAX. REF. |
|-----------|-------------|------------|------------------|-------------------|
| 4         | 022-55-2042 | 70450-0050 | (2.54)<br>.100   | (5.05)<br>.199    |
| 6         | 022-55-2062 | 70450-0051 | (5.08)<br>.200   | (7.59)<br>.299    |
| 8         | 022-55-2082 | 70450-0052 | (7.62)<br>.300   | (10.13)<br>.399   |
| 10        | 022-55-2102 | 70450-0053 | (10.16)<br>.400  | (12.67)<br>.499   |
| 12        | 022-55-2122 | 70450-0054 | (12.70)<br>.500  | (15.21)<br>.599   |
| 14        | 022-55-2142 | 70450-0055 | (15.24)<br>.600  | (17.75)<br>.699   |
| 16        | 022-55-2162 | 70450-0056 | (17.78)<br>.700  | (20.29)<br>.799   |
| 18        | 022-55-2182 | 70450-0057 | (20.32)<br>.800  | (22.83)<br>.899   |
| 20        | 022-55-2202 | 70450-0058 | (22.86)<br>.900  | (25.37)<br>.999   |
| 22        | 022-55-2222 | 70450-0059 | (25.40)<br>1.000 | (27.91)<br>1.099  |
| 24        | 022-55-2242 | 70450-0060 | (27.94)<br>1.100 | (30.45)<br>1.199  |
| 26        | 022-55-2262 | 70450-0061 | (30.48)<br>1.200 | (32.99)<br>1.299  |
| 28        | 022-55-2282 | 70450-0062 | (33.02)<br>1.300 | (35.53)<br>1.399  |
| 30        | 022-55-2302 | 70450-0063 | (35.56)<br>1.400 | (38.07)<br>1.499  |
| 32        | 022-55-2322 | 70450-0064 | (38.10)<br>1.500 | (40.61)<br>1.599  |
| 34        | 022-55-2342 | 70450-0065 | (40.64)<br>1.600 | (43.15)<br>1.699  |
| 36        | 022-55-2362 | 70450-0066 | (43.18)<br>1.700 | (45.69)<br>1.799  |
| 38        | 022-55-2382 | 70450-0067 | (45.72)<br>1.800 | (48.23)<br>1.899  |
| 40        | 022-55-2402 | 70450-0068 | (48.26)<br>1.900 | (50.77)<br>1.999  |
| 42        | 022-55-2422 | 70450-0069 | (50.80)<br>2.000 | (53.31)<br>2.099  |
| 44        | 022-55-2442 | 70450-0070 | (53.34)<br>2.100 | (55.85)<br>2.199  |
| 46        | 022-55-2462 | 70450-0071 | (55.88)<br>2.200 | (58.39)<br>2.299  |
| 48        | 022-55-2482 | 70450-0072 | (58.42)<br>2.300 | (60.93)<br>2.399  |
| 50        | 022-55-2502 | 70450-0073 | (60.96)<br>2.400 | (63.47)<br>2.499  |
| 52        | NOT TOOLED  | 70450-0074 | (63.50)<br>2.500 | (66.01)<br>2.599  |
| 54        | NOT TOOLED  | 70450-0075 | (66.04)<br>2.600 | (68.55)<br>2.699  |

|   |  |   |                 |                                    |              |   |
|---|--|---|-----------------|------------------------------------|--------------|---|
| ADD COSMETIC SPEC<br>EC NO: UCP2007-2009<br>DRAWN: JORGAN 2007/02/23<br>CHKD: MS BARRA 2007/02/23<br>APPR: SMILLER 2007/02/27<br>REV: | QUALITY SYMBOLS  | GENERAL TOLERANCES (UNLESS SPECIFIED)   | DIMENSION STYLE | SCALE                              | DESIGN UNITS | THIRD ANGLE PROJECTION  |
|   | =0<br>=0   | mm INCH<br>4 PLACES ± --- ± ---<br>3 PLACES ± --- ± .010<br>2 PLACES ± 0.25 ± .014<br>1 PLACE ± 0.35 ± ---<br>ANGULAR ±1/2° | MM/IN           | 4:1                                | INCH         | ☉ □   |
|   | DRAWN BY DATE<br>MJM 1986/10/22<br>CHECKED BY DATE<br>MJM 1986/10/22<br>APPROVED BY DATE<br>WAZ 1986/10/22 | HOUSING-CONNECTOR DUAL ROW (2.54)/.100 GRID WITH POLARIZATION KEY   |                 | MOLEX INCORPORATED                 |              | SHEET NO.<br>1 OF 1   |
|   | MATERIAL NO.<br>SEE CHART  | DRAFT WHERE APPLICABLE MUST REMAIN WITHIN DIMENSIONS  |                 | DOCUMENT NO.<br>SD-70450-0050-0075 |              | THIS DRAWING CONTAINS INFORMATION THAT IS PROPRIETARY TO MOLEX INCORPORATED AND SHOULD NOT BE USED WITHOUT WRITTEN PERMISSION |