

**PLEASE CHECK WWW.MOLEX.COM FOR LATEST PART INFORMATION**

**Part Number:** [0493910002](#)  
**Status:** **Active**  
**Description:** 6.60mm (.259") Pitch Wire-to-Board Receptacle, Dual Row, Vertical, 8 Circuits, Polyester Carbonate UL94V-0, Red

**Documents:**

[Drawing \(PDF\)](#) [RoHS Certificate of Compliance \(PDF\)](#)  
[Product Specification PS-49391-001 \(PDF\)](#)

**General**

|                |                          |
|----------------|--------------------------|
| Product Family | Crimp Housings           |
| Series         | <a href="#">49391</a>    |
| Comments       | Polarized to Mating Part |
| Product Name   | N/A                      |

**Physical**

|                               |                 |
|-------------------------------|-----------------|
| Breakaway                     | No              |
| Circuits (maximum)            | 8               |
| Color - Resin                 | Red             |
| Gender                        | Female          |
| Glow-Wire Compliant           | No              |
| Keying to Mating Part         | None            |
| Lock to Mating Part           | Yes             |
| Number of Rows                | 2               |
| Packaging Type                | Bag             |
| Panel Mount                   | No              |
| Pitch - Mating Interface (in) | 0.257 In        |
| Pitch - Mating Interface (mm) | 6.53 mm         |
| Pitch - Term. Interface (in)  | 0.257 In        |
| Pitch - Term. Interface (mm)  | 6.53 mm         |
| Polarized to Mating Part      | Yes             |
| Temperature Range - Operating | -40°C to +120°C |

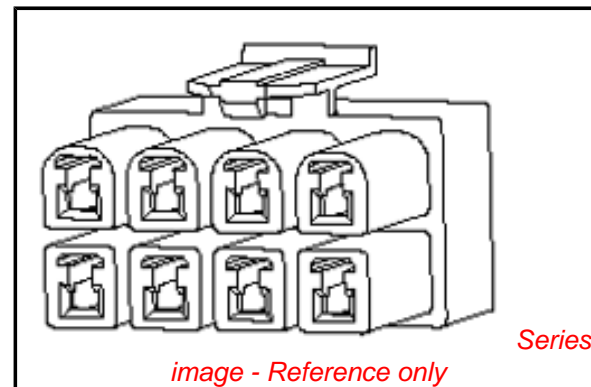
**Electrical**

|                               |      |
|-------------------------------|------|
| Current - Maximum per Contact | 0.5A |
|-------------------------------|------|

**Material Info**

**Reference - Drawing Numbers**

|                       |              |
|-----------------------|--------------|
| Product Specification | PS-49391-001 |
| Sales Drawing         | SD-49391-001 |



**EU RoHS**

**ELV and RoHS Compliant**  
**REACH SVHC**  
 Not Reviewed  
**Halogen-Free Status**  
 Not Reviewed

**China RoHS**



**Need more information on product environmental compliance?**

Email [productcompliance@molex.com](mailto:productcompliance@molex.com)  
 For a multiple part number RoHS Certificate of Compliance, [click here](#)

Please visit the [Contact Us](#) section for any non-product compliance questions.

**Search Parts in this Series**

[49391Series](#)

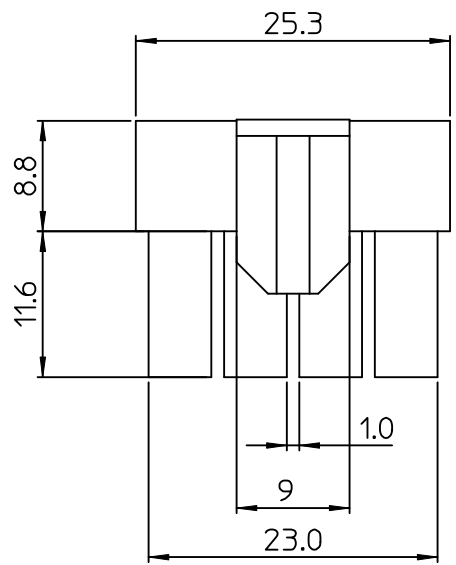
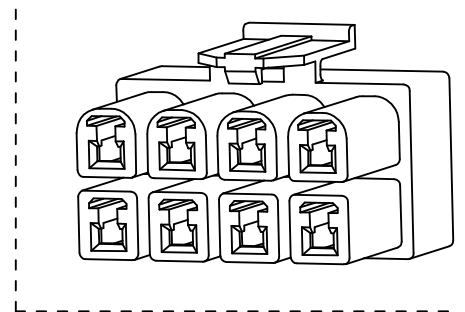
**Mates With**

[49390 PCB Header](#)

**Use With**

[579636202 Crimp Terminal](#)

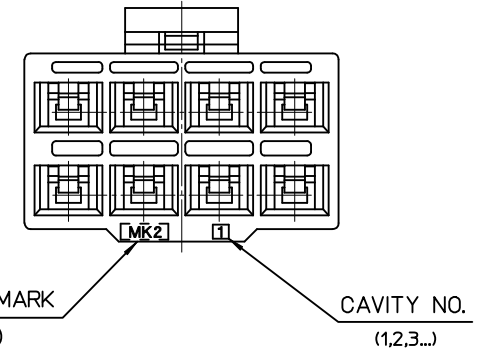
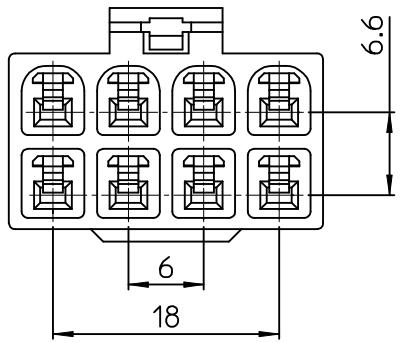
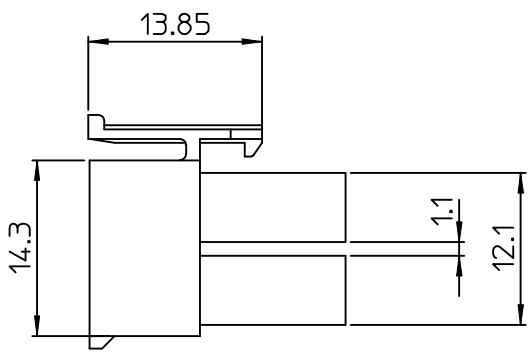
10 9 8 7 6 5 4 3 2 1



NOTES

- 1. MATERIAL & COLOR : SEE TABLE
- 2. MATED HOUSING : 49390-000\*
- 3. APPLICABLE TERMINAL : 57963-6202

| NO. | ENG NO.    | COLOR   | MATERIAL            |
|-----|------------|---------|---------------------|
| 1   | 49391-0001 | NATURAL | PC/PET<br>(UL94V-0) |
| 2   | 49391-0002 | RED     |                     |
| 3   | 49391-0004 | BLUE    |                     |



|   |                  |  |  |   |           |              |  |
|---|------------------|--|--|---|-----------|--------------|--|
| REVISED<br>EC NO: KOR2009-0093<br>DRWN: JHPARK01 2008/12/29<br>CHKD: WY YANG 2008/12/30<br>APPR: YUNSIKKIM 2009/01/05 | DESCRIPTION<br>B | QUALITY SYMBOLS  | GENERAL TOLERANCES (UNLESS SPECIFIED)<br>4 PLACES ± --- ± ---<br>3 PLACES ± --- ± ---<br>2 PLACES ± 0.2 ± ---<br>1 PLACE ± 0.3 ± ---<br>ANGULAR ± 1° | DIMENSION STYLE   | SCALE     | DESIGN UNITS | THIRD ANGLE PROJECTION<br>.070 W/B CONN-8P HOUSING<br>MOLEX INCORPORATED<br>SD-49391-001 |
|   |                  | ▼=0<br>▽=0   |  | MM ONLY   | 2:1       | METRIC       |  |
|   |                  | DRAWN BY: JH.PARK<br>CHECKED BY: WY.YANG<br>APPROVED BY: WY.YANG |  | DATE: 2006/05/30  | TITLE     | DOCUMENT NO. |  |
|   |                  | MATERIAL NO.<br>SEE TABLE  |  | DATE: 2006/05/30  | SHEET NO. | 1 OF 01      |  |
| DRAFT WHERE APPLICABLE MUST REMAIN WITHIN DIMENSIONS  |                  |  |  | THIS DRAWING CONTAINS INFORMATION THAT IS PROPRIETARY TO MOLEX INCORPORATED AND SHOULD NOT BE USED WITHOUT WRITTEN PERMISSION |           |              |  |

9 8 7 6 5 4 3 2 1