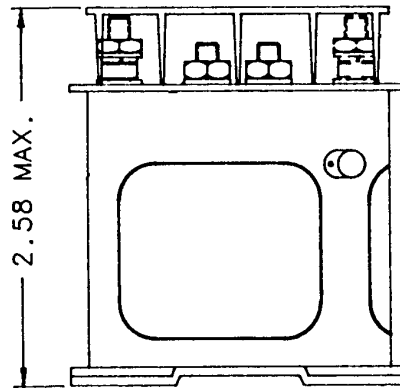
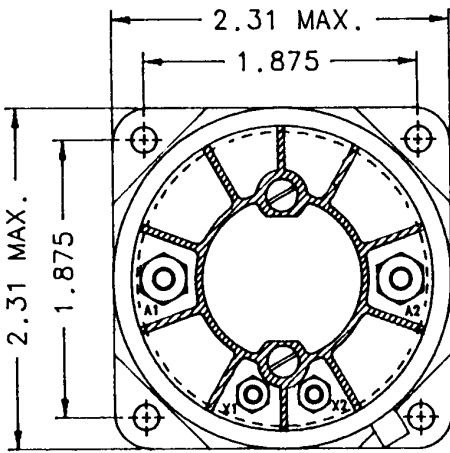


**C-21Y SPST N.O., Double Break, 60 Amps,
28 VDC or 115 VAC, 400 Hz**

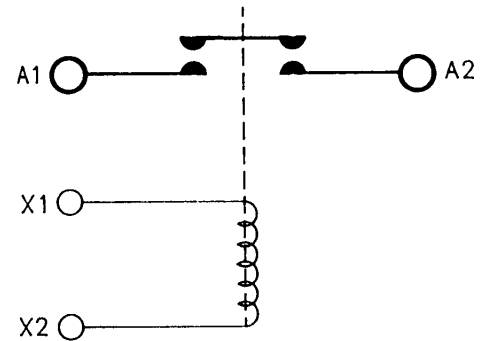


Features:

- SPST N.O. Double Break Main Contacts
- 28 VDC or 115 VAC, 400 Hz
- 60 Amps
- High Reliability
- Meets many requirements of MIL-R-6106
- Light Weight Construction



CONTACTOR CONFIGURATION



Notes:

Dimensions for this product are expressed in inches.
Multiply values by 25.4 for millimeters.

PRODUCT SPECIFICATIONS	
Construction	Gasket Sealed, Vented
Main Contacts	
Configuration	SPST N.O.
Voltage (Nominal)	28 VDC or 115 VAC, 400 Hz
Current (Resistive)	60 Amps
Coil Data:	
Duty Cycle	Continuous
Voltage (Nominal)	28 VDC
Pick-Up Voltage	18 VDC Maximum
Drop-Out Voltage	1.5 - 7 VDC
Coil Current @ 28 VDC & +25°C	
In-Rush	.30 Amps Maximum
Hold	.30 Amps Maximum
Operating Temperature	-55°C to +71°C
Life:	
Electrical	50,000 Cycles
Mechanical	100,000 Cycles
Weight	8.4 Oz.

For factory-direct application assistance, contact the HARTMAN product team at (419) 521-9500, Fax (419) 526-2749.

© 2004 by Tyco Electronics Corporation. All Rights Reserved.
HARTMAN and TYCO are trademarks.