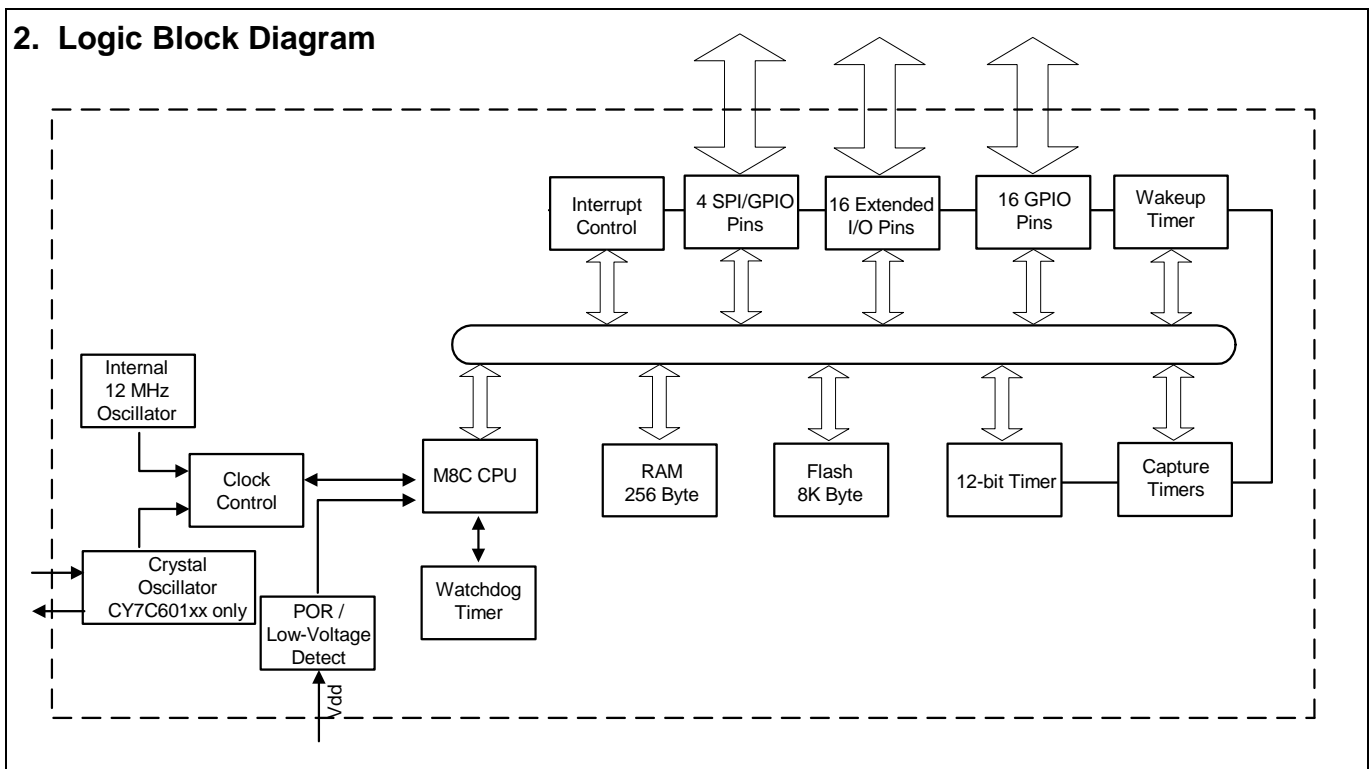


# enCoRe™ II Low Voltage Microcontroller

## 1. Features

- enCoRe™ II Low Voltage (enCoRe II LV)—enhanced component reduction
  - Internal crystalless oscillator with support for optional external clock or external crystal or resonator
  - Configurable IO for real world interface without external components
- Enhanced 8-bit microcontroller
  - Harvard architecture
  - M8C CPU speed up to 12 MHz or sourced by an external crystal, resonator, or clock signal
- Internal memory
  - 256 bytes of RAM
  - 8 Kbytes of Flash including EEROM emulation
- Low power consumption
  - Typically 2.25 mA at 3 MHz
  - 5  $\mu$ A sleep
- In-system reprogrammability
  - Allows easy firmware update
- General purpose IO ports
  - Up to 36 General Purpose IO (GPIO) pins
  - 2 mA source current on all GPIO pins. Configurable 8 or 50 mA per pin current sink on designated pins
  - Each GPIO port supports high impedance inputs, configurable pull up, open drain output, CMOS and TTL inputs, and CMOS output
  - Maskable interrupts on all IO pins
- SPI serial communication
  - Master or slave operation
  - Configurable up to 2 Mbit per second transfers
  - Supports half duplex single data line mode for optical sensors
- 2-channel 8-bit or 1-channel 16-bit capture timer registers. Capture timer registers store both rising and falling edge times
  - Two registers each for two input pins
  - Separate registers for rising and falling edge capture
  - Simplifies interface to RF inputs for wireless applications
- Internal low power wakeup timer during suspend mode
  - Periodic wakeup with no external components
- Programmable interval timer interrupts
- Reduced RF emissions at 27 MHz and 96 MHz
- Watchdog timer (WDT)
- Low voltage detection with user selectable threshold voltages
- Improved output drivers to reduce EMI
- Operating voltage from 2.7V to 3.6V DC
- Operating temperature from 0–70°C
- Available in 24 and 40-pin PDIP, 24-pin SOIC, 24-pin QSOP and SSOP, 28-pin SSOP, and 48-pin SSOP
- Advanced development tools based on Cypress PSoC® tools
- Industry standard programmer support

## 2. Logic Block Diagram



### 3. Applications

The CY7C601xx and CY7C602xx are targeted for the following applications:

- PC wireless HID devices
  - Mice (optomechanical, optical, trackball)
  - Keyboards
  - Presenter tools
- Gaming
  - Joysticks
  - Gamepad
- General purpose wireless applications
  - Remote controls
  - Barcode scanners
  - POS terminal
  - Consumer electronics
  - Toys

### 4. Introduction

The enCoRe II LV family brings the features and benefits of the enCoRe II to non USB applications. The enCoRe II family has an integrated oscillator that eliminates the external crystal or resonator, reducing overall cost. Other external components, such as wakeup circuitry, are also integrated into this chip.

The enCoRe II LV is a low voltage, low cost 8-bit Flash programmable microcontroller.

The enCoRe II LV features up to 36 GPIO pins. The IO pins are grouped into five ports (Port 0 to 4). The pins on Ports 0 and 1 are configured individually, when the pins on Ports 2, 3, and 4 are only configured as a group. Each GPIO port supports high impedance inputs, configurable pull up, open drain output, CMOS and TTL inputs, and CMOS output with up to five pins that support programmable drive strength of up to 50 mA sink current. Additionally, each IO pin is used to generate a GPIO interrupt to the microcontroller. Each GPIO port has its own GPIO interrupt vector with the exception of GPIO Port 0. GPIO Port 0 has, in addition to the port interrupt vector, three dedicated pins that have independent interrupt vectors (P0.2–P0.4).

The enCoRe II LV features an internal oscillator. Optionally, an external 1 MHz to 24 MHz crystal is used to provide a higher precision reference. The enCoRe II LV also supports external clock.

The enCoRe II LV has 8 Kbytes of Flash for user code and 256 bytes of RAM for stack space and user variables.

In addition, enCoRe II LV includes a watchdog timer, a vectored interrupt controller, a 16-bit free running timer with capture registers, and a 12-bit programmable interval timer. The power on reset circuit detects when power is applied to the device, resets the logic to a known state, and executes instructions at Flash address 0x0000. When power falls below a programmable trip voltage, it generates a reset or is configured to generate an interrupt. There is a low voltage detect circuit that detects when  $V_{CC}$  drops below a programmable trip voltage. This is configurable to generate a LVD interrupt to inform the processor about the low voltage event. POR and LVD share the same interrupt; there is no separate interrupt for each. The watchdog timer ensures the firmware never gets stalled in an infinite loop.



The microcontroller supports 17 maskable interrupts in the vectored interrupt controller. All interrupts can be masked. Interrupt sources include LVR or POR, a programmable interval timer, a nominal 1.024 ms programmable output from the free running timer, two capture timers, five GPIO ports, three GPIO pins, two SPI, a 16-bit free running timer wrap, and an internal wakeup timer interrupt. The wakeup timer causes periodic interrupts when enabled. The capture timers interrupt whenever a new timer value is saved due to a selected GPIO edge event. A total of eight GPIO interrupts support both TTL or CMOS thresholds. For additional flexibility, on the edge-sensitive GPIO pins, the interrupt polarity is programmable to be either rising or falling.

The free running timer generates an interrupt at 1024  $\mu$ s rate. It also generates an interrupt when the free running counter overflow occurs—every 16.384 ms. The duration of an event under firmware control is measured by reading the timer at the start and end of an event, then calculating the difference between the two values. The two 8-bit capture timer registers save a programmable 8-bit range of the free running timer when a GPIO edge occurs on the two capture pins (P0.5 and P0.6). The two 8-bit capture registers are ganged into a single 16-bit capture register.

The enCoRe II LV supports in-system programming by using the P1.0 and P1.1 pins as the serial programming mode interface.

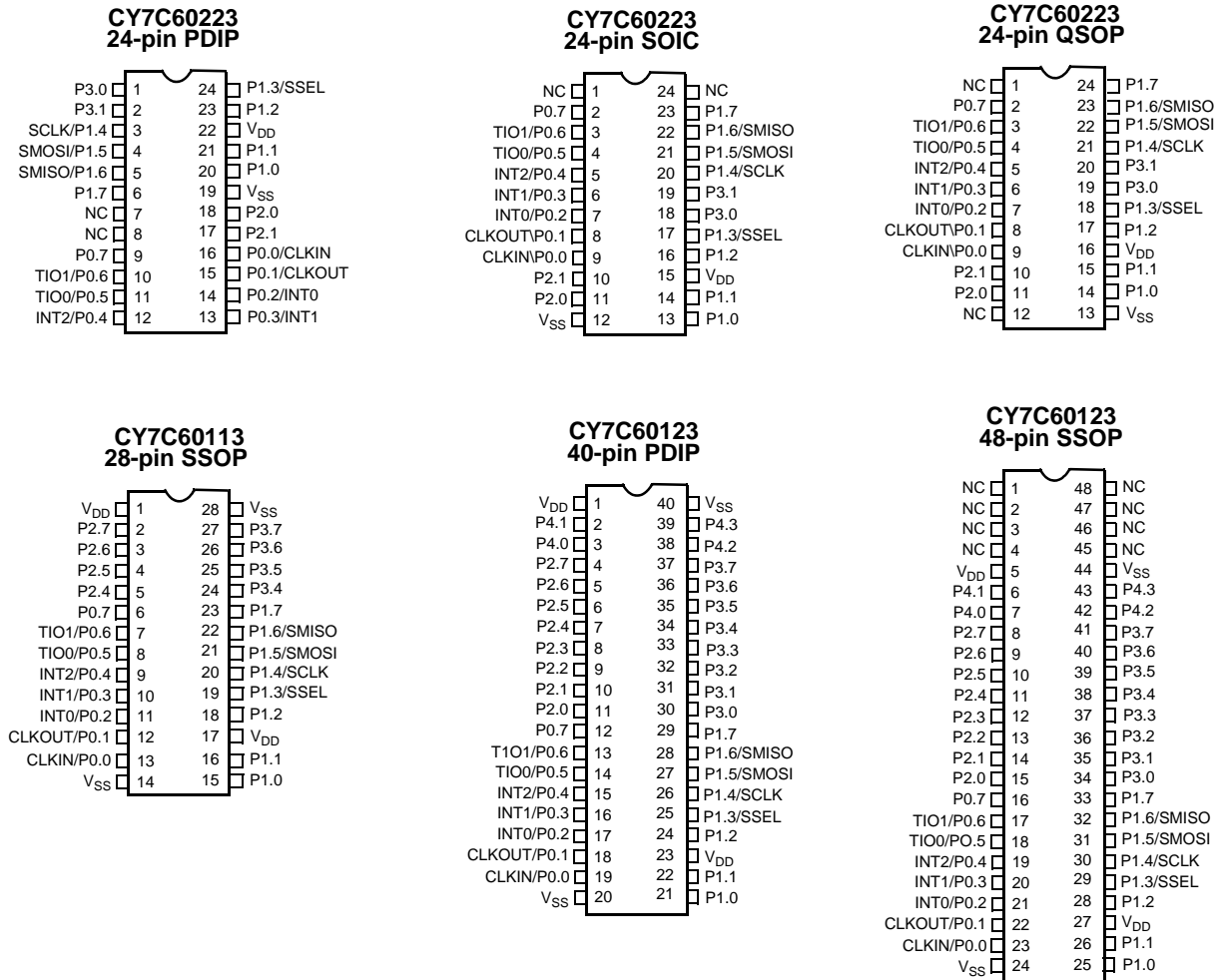
### 5. Conventions

In this document, bit positions in the registers are shaded to indicate which members of the enCoRe II LV family implement the bits.

-  Available in all enCoRe II LV family members
-  CY7C601xx only

## 6. Pinouts

Figure 6-1. Package Configurations  
Top View



## 6.1 Pin Assignments

Table 6-1. Pin Assignments

48 SSOP	40 PDIP	28 SSOP	24 QSOP	24 SOIC	24 PDIP	Name	Description
7	3					P4.0	GPIO Port 4—configured as a group (nibble)
6	2					P4.1	
42	38					P4.2	
43	39					P4.3	
34	30		19	18	1	P3.0	GPIO Port 3—configured as a group (byte)
35	31		20	19	2	P3.1	
36	32					P3.2	
37	33					P3.3	
38	34	24				P3.4	
39	35	25				P3.5	
40	36	26				P3.6	
41	37	27				P3.7	
15	11		11	11	18	P2.0	GPIO Port 2—configured as a group (byte)
14	10		10	10	17	P2.1	
13	9					P2.2	
12	8					P2.3	
11	7	5				P2.4	
10	6	4				P2.5	
9	5	3				P2.6	
8	4	2				P2.7	
25	21	15	14	13	20	P1.0	GPIO Port 1 bit 0 If this pin is used as a general purpose output it draws current. It is, therefore, configured as an input to reduce current draw.
26	22	16	15	14	21	P1.1	GPIO Port 1 bit 1 If this pin is used as a general purpose output it draws current. It is, therefore, configured as an input to reduce current draw.
28	24	18	17	16	23	P1.2	GPIO Port 1 bit 2
29	25	19	18	17	24	P1.3/SSEL	GPIO Port 1 bit 3—Configured individually Alternate function is SSEL signal of the SPI bus.
30	26	20	21	20	3	P1.4/SCLK	GPIO Port 1 bit 4—Configured individually Alternate function is SCLK signal of the SPI bus.
31	27	21	22	21	4	P1.5/SMOSI	GPIO Port 1 bit 5—Configured individually Alternate function is SMOSI signal of the SPI bus.
32	28	22	23	22	5	P1.6/SMISO	GPIO Port 1 bit 6—Configured individually Alternate function is SMISO signal of the SPI bus.
33	29	23	24	23	6	P1.7	GPIO Port 1 bit 7—Configured individually TTL voltage threshold.

**Table 6-1. Pin Assignments** (continued)

48 SSOP	40 PDIP	28 SSOP	24 QSOP	24 SOIC	24 PDIP	Name	Description
23	19	13	9	9	16	P0.0/CLKIN	GPIO Port 0 bit 0—Configured individually On CY7C601xx, optional Clock In when external oscillator is disabled or external oscillator input when external oscillator is enabled. On CY7C602xx, oscillator input when configured as Clock In.
22	18	12	8	8	15	P0.1/CLKOUT	GPIO Port 0 bit 1—Configured individually On CY7C601xx, optional Clock Out when external oscillator is disabled or external oscillator output drive when external oscillator is enabled. On CY7C602xx, oscillator output when configured as Clock Out.
21	17	11	7	7	14	P0.2/INT0	GPIO port 0 bit 2—Configured individually Optional rising edge interrupt INT0.
20	16	10	6	6	13	P0.3/INT1	GPIO port 0 bit 3—Configured individually Optional rising edge interrupt INT1.
19	15	9	5	5	12	P0.4/INT2	GPIO port 0 bit 4—Configured individually Optional rising edge interrupt INT2.
18	14	8	4	4	11	P0.5/TIO0	GPIO port 0 bit 5—Configured individually Alternate function timer capture inputs or timer output TIO0.
17	13	7	3	3	10	P0.6/TIO1	GPIO port 0 bit 6—Configured individually Alternate function timer capture inputs or timer output TIO1.
16	12	6	2	2	9	P0.7	GPIO port 0 bit 7—Configured individually
1,2,3,4			1	1	7	NC	No connect
45,46,47,48			12	24	8	NC	No connect
5	1	17				V <sub>DD</sub>	Power
27	23	1	16	15	22		
44	40	14	–	–	–	V <sub>SS</sub>	Ground
24	20	28	13	12	19		

## 7. Register Summary

**Table 7-1. enCoRe II LV Register Summary**

The XIO bit in the CPU Flags Register must be set to access the extended register space for all registers above 0xFF.

Addr	Name	7	6	5	4	3	2	1	0	R/W	Default	
00	P0DATA	P0.7	P0.6/TIO1	P0.5/TIO0	P0.4/INT2	P0.3/INT1	P0.2/INT0	P0.1/CLKOUT	P0.0/CLKIN	bbbbbb	00000000	
01	P1DATA	P1.7	P1.6/SMISO	P1.5/SMOSI	P1.4/SCLK	P1.3/SSEL	P1.2	P1.1	P1.0	bbbbbb	00000000	
02	P2DATA	P2.7–P2.2						P2.1–P2.0		bbbbbb	00000000	
03	P3DATA	P3.7–P3.2						P3.1–P3.0		bbbbbb	00000000	
04	P4DATA	Reserved				P4.3–P4.0				----bbbb	00000000	
05	P00CR	Reserved	Int Enable	Int Act Low	TTL Thresh	High Sink	Open Drain	Pull up Enable	Output Enable	-bbbbbb	00000000	
06	P01CR	CLK Output	Int Enable	Int Act Low	TTL Thresh	High Sink	Open Drain	Pull Up Enable	Output Enable	bbbbbb	00000000	
07–09	P02CR–P04CR	Reserved		Int Act Low	TTL Thresh	Reserved	Open Drain	Pull Up Enable	Output Enable	--bb-bbb	00000000	
0A–0B	P05CR–P06CR	TIO Output	Int Enable	Int Act Low	TTL Thresh	Reserved	Open Drain	Pull Up Enable	Output Enable	bbbb-bbb	00000000	
0C	P07CR	Reserved	Int Enable	Int Act Low	TTL Thresh	Reserved	Open Drain	Pull Up Enable	Output Enable	-bbb-bbb	00000000	
0D	P10CR	Reserved	Int Enable	Int Act Low	Reserved				Output Enable	-bb---b	00000000	
0E	P11CR	Reserved	Int Enable	Int Act Low	Reserved		Open Drain	Reserved	Output Enable	-bb--b-b	00000000	
0F	P12CR	CLK Output	Int Enable	Int Act Low	TTL Threshold	Reserved	Open Drain	Pull Up Enable	Output Enable	bbbb-bbb	00000000	
10	P13CR	Reserved	Int Enable	Int Act Low	Reserved	High Sink	Open Drain	Pull Up Enable	Output Enable	-bb-bbbb	00000000	
11–13	P14CR–P16CR	SPI Use	Int Enable	Int Act Low	Reserved	High Sink	Open Drain	Pull Up Enable	Output Enable	bbb-bbbb	00000000	
14	P17CR	Reserved	Int Enable	Int Act Low	Reserved	High Sink	Open Drain	Pull Up Enable	Output Enable	-bb-bbbb	00000000	
15	P2CR	Reserved	Int Enable	Int Act Low	TTL Thresh	High Sink	Open Drain	Pull Up Enable	Output Enable	-bbbbbb	00000000	
16	P3CR	Reserved	Int Enable	Int Act Low	TTL Thresh	High Sink	Open Drain	Pull Up Enable	Output Enable	-bbbbbb	00000000	
17	P4CR	Reserved	Int Enable	Int Act Low	TTL Thresh	Reserved	Open Drain	Pull Up Enable	Output Enable	-bbb-bbb	00000000	
20	FRTMRL	Free Running Timer [7:0]								bbbbbb	00000000	
21	FRTMRH	Free Running Timer [15:8]								bbbbbb	00000000	
22	TCAP0R	Capture 0 Rising [7:0]								rrrrrr	00000000	
23	TCAP1R	Capture 1 Rising [7:0]								rrrrrr	00000000	
24	TCAP0F	Capture 0 Falling [7:0]								rrrrrr	00000000	
25	TCAP1F	Capture 1 Falling [7:0]								rrrrrr	00000000	
26	PITMRL	Prog Interval Timer [7:0]								rrrrrr	00000000	
27	PITMRH	Reserved				Prog Interval Timer [11:8]				----rrrr	00000000	
28	PIRL	Prog Interval [7:0]								bbbbbb	00000000	
29	PIRH	Reserved				Prog Interval [11:8]				----bbbb	00000000	
2A	TMRCR	First Edge Hold	8-bit Capture Prescale			Cap0 16-bit Enable	Reserved				bbbb---	00000000
2B	TCAPINTE	Reserved				Cap1 Fall Active	Cap1 Rise Active	Cap0 Fall Active	Cap0 Rise Active	----bbbb	00000000	
2C	TCAPINTS	Reserved				Cap1 Fall Active	Cap1 Rise Active	Cap0 Fall Active	Cap0 Rise Active	----bbbb	00000000	
30	CPUCLKCR	Reserved							CPU CLK Select	-----b	00000000	
31	TMRCLKCR	TCAPCLK Divider		TCAPCLK Select		ITMRCLK Divider		ITMRCLK Select		bbbbbb	10001111	
32	CLKIOCR	Reserved			XOSC Select	XOSC Enable	EFTB Disabled	CLKOUT Select		---bbbb	00000000	

**Table 7-1. enCoRe II LV Register Summary (continued)**

The XIO bit in the CPU Flags Register must be set to access the extended register space for all registers above 0xFF.

Addr	Name	7	6	5	4	3	2	1	0	R/W	Default		
34	IOSCTR	ffset[2:0]			Gain[4:0]						bbbbbbb	000dddd	
35	XOSCTR	Reserved			XOSC XGM [2:0]			Reserved	Mode	---	bbb-b	000dddd	
36	LPOSCTR	32 kHz Low Power	Reserved	32 kHz Bias Trim [1:0]		32 kHz Freq Trim [3:0]				b-bbbb	d-ddddd		
3C	SPIDATA	SPIData[7:0]									bbbbbbb	0000000	
3D	SPICR	Swap	LSB First	Comm Mode		CPOL	CPHA	SCLK Select			bbbbbbb	0000000	
DA	INT_CLR0	GPIO Port 1	Sleep Timer	INT1	GPIO Port 0	SPI Receive	SPI Transmit	INT0	POR/LVD	bbbbbbb	0000000		
DB	INT_CLR1	TCAP0	Prog Interval Timer	1 ms Timer	Reserved						bbb----	0000000	
DC	INT_CLR2	Reserved	GPIO Port 4	GPIO Port 3	GPIO Port 2	Reserved	INT2	16-bit Counter Wrap	TCAP1	-bbb-bbb	0000000		
DE	INT_MSK3	ENSWINT	Reserved									r-----	0000000
DF	INT_MSK2	Reserved	GPIO Port 4 Int Enable	GPIO Port 3 Int Enable	GPIO Port 2 Int Enable	Reserved	INT2 Int Enable	16-bit Counter Wrap Int Enable	TCAP1 Int Enable	-bbb-bbb	0000000		
E1	INT_MSK1	TCAP0 Int Enable	Prog Interval Timer Int Enable	1 ms Timer Int Enable	Reserved						bbb----	0000000	
E0	INT_MSK0	GPIO Port 1 Int Enable	Sleep Timer Int Enable	INT1 Int Enable	GPIO Port 0 Int Enable	SPI Receive Int Enable	SPI Transmit Int Enable	INT0 Int Enable	POR/LVD Int Enable	bbbbbbb	0000000		
E2	INT_VC	Pending Interrupt [7:0]									bbbbbbb	0000000	
E3	RESWDT	Reset Watchdog Timer [7:0]									wwwwwww w	0000000	
--	CPU_A	Temporary Register T1 [7:0]									-----	0000000	
--	CPU_X	X[7:0]									-----	0000000	
--	CPU_PCL	Program Counter [7:0]									-----	0000000	
--	CPU_PCH	Program Counter [15:8]									-----	0000000	
--	CPU_SP	Stack Pointer [7:0]									-----	0000000	
F7	CPU_F	Reserved			XIO	Super	Carry	Zero	Global IE		---brbbb	0000010	
FF	CPU_SCR	GIES	Reserved	WDRS	PORS	Sleep	Reserved	Reserved	Stop	r-ccb--b	00010100		
1E0	OSC_CR0	Reserved		No Buzz	Sleep Timer [1:0]		CPU Speed [2:0]			--bbbb	0000000		
1E3	LVDCR	Reserved		PORLEV[1:0]		Reserved	VM[2:0]			--bb-bbb	0000000		
1EB	ECO_TR	Sleep Duty Cycle [1:0]			Reserved						bb-----	0000000	
1E4	VLTCMP	Reserved						LVD	PPOR	-----rr	0000000		

**Note** In the R/W column:

- b = Both Read and Write
- r = Read Only
- w = Write Only
- c = Read or Clear
- d = Calibration Value. Must not change during normal use

## 8. CPU Architecture

This family of microcontrollers is based on a high performance, 8-bit, Harvard architecture microprocessor. Five registers control the primary operation of the CPU core. These registers are affected by various instructions, but are not directly accessible through the register space by the user.

**Table 8-1. CPU Registers and Register Name**

Register	Register Name
Flags	CPU_F
Program Counter	CPU_PC
Accumulator	CPU_A
Stack Pointer	CPU_SP
Index	CPU_X

The 16-bit Program Counter Register (CPU\_PC) directly addresses the full 8 Kbytes of program memory space.

The Accumulator Register (CPU\_A) is the general purpose register that holds results of instructions that specify any of the source addressing modes.

The Index Register (CPU\_X) holds an offset value used in the indexed addressing modes. Typically, this is used to address a block of data within the data memory space.

The Stack Pointer Register (CPU\_SP) holds the address of the current top-of-stack in the data memory space. It is affected by the PUSH, POP, LCALL, CALL, RETI, and RET instructions, which manage the software stack. It is also affected by the SWAP and ADD instructions.

The Flag Register (CPU\_F) has three status bits: Zero Flag bit [1]; Carry Flag bit [2]; Supervisory State bit [3]. The Global Interrupt Enable bit [0] is used to globally enable or disable interrupts. The user cannot manipulate the Supervisory State status bit [3]. The flags are affected by arithmetic, logic, and shift operations. The manner in which each flag is changed is dependent upon the instruction being executed (AND, OR, XOR). See [Table 10-1](#).

## 9. CPU Registers

### 9.1 Flags Register

The Flags Register is only set or reset with logical instruction.

**Table 9-1. CPU Flags Register (CPU\_F) [R/W]**

Bit #	7	6	5	4	3	2	1	0
Field	Reserved			XIO	Super	Carry	Zero	Global IE
Read/Write	–	–	–	R/W	R	R/W	R/W	R/W
Default	0	0	0	0	0	0	1	0

**Bit [7:5]:** Reserved

**Bit 4:** XIO

Set by the user to select between the register banks.

0 = Bank 0

1 = Bank 1

**Bit 3:** Super

Indicates whether the CPU is executing user code or supervisor code. (This code cannot be accessed directly by the user.)

0 = User Code

1 = Supervisor Code

**Bit 2:** Carry

Set by CPU to indicate whether there is a carry in the previous logical or arithmetic operation.

0 = No Carry

1 = Carry

**Bit 1:** Zero

Set by CPU to indicate whether there is a zero result in the previous logical or arithmetic operation.

0 = Not Equal to Zero

1 = Equal to Zero

**Bit 0:** Global IE

Determines whether all interrupts are enabled or disabled.

0 = Disabled

1 = Enabled

**Note** This register is readable with explicit address 0xF7. The *OR F, expr* and *AND F, expr* are used to set and clear the CPU\_F bits.



9.1.1 Accumulator Register

**Table 9-2. CPU Accumulator Register (CPU\_A)**

Bit #	7	6	5	4	3	2	1	0
Field	CPU Accumulator [7:0]							
Read/Write	–	–	–	–	–	–	–	–
Default	0	0	0	0	0	0	0	0

**Bit [7:0]:** CPU Accumulator [7:0]

8-bit data value holds the result of any logical or arithmetic instruction that uses a source addressing mode.

9.1.2 Index Register

**Table 9-3. CPU X Register (CPU\_X)**

Bit #	7	6	5	4	3	2	1	0
Field	X [7:0]							
Read/Write	–	–	–	–	–	–	–	–
Default	0	0	0	0	0	0	0	0

**Bit [7:0]:** X [7:0]

8-bit data value holds an index for any instruction that uses an indexed addressing mode.

9.1.3 Stack Pointer Register

**Table 9-4. CPU Stack Pointer Register (CPU\_SP)**

Bit #	7	6	5	4	3	2	1	0
Field	Stack Pointer [7:0]							
Read/Write	–	–	–	–	–	–	–	–
Default	0	0	0	0	0	0	0	0

**Bit [7:0]:** Stack Pointer [7:0]

8-bit data value holds a pointer to the current top-of-stack.

9.1.4 CPU Program Counter High Register

**Table 9-5. CPU Program Counter High Register (CPU\_PCH)**

Bit #	7	6	5	4	3	2	1	0
Field	Program Counter [15:8]							
Read/Write	–	–	–	–	–	–	–	–
Default	0	0	0	0	0	0	0	0

**Bit [7:0]:** Program Counter [15:8]

8-bit data value holds the higher byte of the program counter.

9.1.5 CPU Program Counter Low Register

**Table 9-6. CPU Program Counter Low Register (CPU\_PCL)**

Bit #	7	6	5	4	3	2	1	0
Field	Program Counter [7:0]							
Read/Write	–	–	–	–	–	–	–	–
Default	0	0	0	0	0	0	0	0

**Bit [7:0]:** Program Counter [7:0]

8-bit data value holds the lower byte of the program counter.

## 9.2 Addressing Modes

### 9.2.1 Source Immediate

The result of an instruction using this addressing mode is placed in the A register, the F register, the SP register, or the X register, which is specified as part of the instruction opcode. Operand 1 is an immediate value that serves as a source for the instruction. Arithmetic instructions require two sources; the second source is the A, X, SP, or F register specified in the opcode. Instructions using this addressing mode are two bytes in length.

**Table 9-7. Source Immediate**

Opcode	Operand 1
Instruction	Immediate Value

#### Examples

ADD A, 7 ;In this case, the immediate value of 7 is added with the Accumulator and the result is placed in the Accumulator.

MOV X, 8 ;In this case, the immediate value of 8 is moved to the X register.

AND F, 9 ;In this case, the immediate value of 9 is logically ANDed with the F register and the result is placed in the F register.

### 9.2.2 Source Direct

The result of an instruction using this addressing mode is placed in either the A register or the X register, which is specified as part of the instruction opcode. Operand 1 is an address that points to a location in either the RAM memory space or the register space that is the source for the instruction. Arithmetic instructions require two sources; the second source is the A register or X register specified in the opcode. Instructions using this addressing mode are two bytes in length.

**Table 9-8. Source Direct**

Opcode	Operand 1
Instruction	Source Address

#### Examples

ADD A, [7] ;In this case, the value in the RAM memory location at address 7 is added with the Accumulator, and the result is placed in the Accumulator.

MOV X, REG[8] ;In this case, the value in the register space at address 8 is moved to the X register.

### 9.2.3 Source Indexed

The result of an instruction using this addressing mode is placed in either the A register or the X register, which is specified as part of the instruction opcode. Operand 1 is added to the X register forming an address that points to a location in either the RAM memory space or the register space that is the source for the instruction. Arithmetic instructions require two sources; the second source is the A register or X register specified in the opcode. Instructions using this addressing mode are two bytes in length.

**Table 9-9. Source Indexed**

Opcode	Operand 1
Instruction	Source Index

#### Examples

ADD A, [X+7] ;In this case, the value in the memory location at address X + 7 is added with the Accumulator, and the result is placed in the Accumulator.

MOV X, REG[X+8] ;In this case, the value in the register space at address X + 8 is moved to the X register.

### 9.2.4 Destination Direct

The result of an instruction using this addressing mode is placed within either the RAM memory space or the register space. Operand 1 is an address that points to the location of the result. The source for the instruction is either the A register or the X register, which is specified as part of the instruction opcode. Arithmetic instructions require two sources; the second source is the location specified by Operand 1. Instructions using this addressing mode are two bytes in length.

**Table 9-10. Destination Direct**

Opcode	Operand 1
Instruction	Destination Address

#### Examples

ADD [7], A ;In this case, the value in the memory location at address 7 is added with the Accumulator, and the result is placed in the memory location at address 7. The Accumulator is unchanged.

MOV REG[8], A ;In this case, the Accumulator is moved to the register space location at address 8. The Accumulator is unchanged.

9.2.5 Destination Indexed

The result of an instruction using this addressing mode is placed within either the RAM memory space or the register space. Operand 1 is added to the X register forming the address that points to the location of the result. The source for the instruction is the A register. Arithmetic instructions require two sources; the second source is the location specified by Operand 1 added with the X register. Instructions using this addressing mode are two bytes in length.

Table 9-11. Destination Indexed

Opcode	Operand 1
Instruction	Destination Index

Example

ADD [X+7], A ;In this case, the value in the memory location at address X+7 is added with the Accumulator and the result is placed in the memory location at address X+7. The Accumulator is unchanged.

9.2.6 Destination Direct Source Immediate

The result of an instruction using this addressing mode is placed within either the RAM memory space or the register space. Operand 1 is the address of the result. The source for the instruction is Operand 2, which is an immediate value. Arithmetic instructions require two sources; the second source is the location specified by Operand 1. Instructions using this addressing mode are three bytes in length.

Table 9-12. Destination Direct Source Immediate

Opcode	Operand 1	Operand 2
Instruction	Destination Address	Immediate Value

Examples

ADD [7], 5 ;In this case, value in the memory location at address 7 is added to the immediate value of 5, and the result is placed in the memory location at address 7.

MOV REG[8], 6 ;In this case, the immediate value of 6 is moved into the register space location at address 8.

9.2.7 Destination Indexed Source Immediate

The result of an instruction using this addressing mode is placed within either the RAM memory space or the register space. Operand 1 is added to the X register to form the address of the result. The source for the instruction is Operand 2, which is an immediate value. Arithmetic instructions require two sources; the second source is the location specified by Operand 1 added with the X register. Instructions using this addressing mode are three bytes in length.

Table 9-13. Destination Indexed Source Immediate

Opcode	Operand 1	Operand 2
Instruction	Destination Index	Immediate Value

Examples

ADD [X+7], 5 ;In this case, the value in the memory location at address X+7 is added with the immediate value of 5, and the result is placed in the memory location at address X+7.

MOV REG[X+8], 6 ;In this case, the immediate value of 6 is moved into the location in the register space at address X+8.

9.2.8 Destination Direct Source Direct

The result of an instruction using this addressing mode is placed within the RAM memory. Operand 1 is the address of the result. Operand 2 is an address that points to a location in the RAM memory that is the source for the instruction. This addressing mode is only valid on the MOV instruction. The instruction using this addressing mode is three bytes in length.

Table 9-14. Destination Direct Source Direct

Opcode	Operand 1	Operand 2
Instruction	Destination Address	Source Address

Example

MOV [7], [8] ;In this case, the value in the memory location at address 8 is moved to the memory location at address 7.

9.2.9 Source Indirect Post Increment

The result of an instruction using this addressing mode is placed in the Accumulator. Operand 1 is an address pointing to a location within the memory space, which contains an address (the indirect address) for the source of the instruction. The indirect address is incremented as part of the instruction execution. This addressing mode is only valid on the MVI instruction. The instruction using this addressing mode is two bytes in length. Refer to the *PSoC Designer: Assembly Language User Guide* for further details on MVI instruction.

Table 9-15. Source Indirect Post Increment

Opcode	Operand 1
Instruction	Source Address Address

Example

MVI A, [8] ;In this case, the value in the memory location at address 8 is an indirect address. The memory location pointed to by the Indirect address is moved into the Accumulator. The indirect address is then incremented.

9.2.10 Destination Indirect Post Increment

The result of an instruction using this addressing mode is placed within the memory space. Operand 1 is an address pointing to a location within the memory space, which contains an address (the indirect address) for the destination of the instruction. The indirect address is incremented as part of the instruction execution. The source for the instruction is the Accumulator. This addressing mode is only valid on the MVI instruction. The instruction using this addressing mode is two bytes in length.

Table 9-16. Destination Indirect Post Increment

Opcode	Operand 1
Instruction	Destination Address Address

Example

MVI [8], A ;In this case, the value in the memory location at address 8 is an indirect address. The Accumulator is moved into the memory location pointed to by the indirect address. The indirect address is then incremented.

10. Instruction Set Summary

The instruction set is summarized in Table 10-1 numerically and serves as a quick reference. For more information, the Instruction Set Summary tables are described in detail in the *PSoC Designer Assembly Language User Guide* (available on the [www.cypress.com](http://www.cypress.com) web site).

Table 10-1. Instruction Set Summary Sorted Numerically by Opcode Order

Opcode Hex	Cycles	Bytes	Instruction Format <sup>[1,2]</sup>	Flags	Opcode Hex	Cycles	Bytes	Instruction Format	Flags	Opcode Hex	Cycles	Bytes	Instruction Format	Flags
00	15	1	SSC		2D	8	2	OR [X+expr], A	Z	5A	5	2	MOV [expr], X	
01	4	2	ADD A, expr	C, Z	2E	9	3	OR [expr], expr	Z	5B	4	1	MOV A, X	Z
02	6	2	ADD A, [expr]	C, Z	2F	10	3	OR [X+expr], expr	Z	5C	4	1	MOV X, A	
03	7	2	ADD A, [X+expr]	C, Z	30	9	1	HALT		5D	6	2	MOV A, reg[expr]	Z
04	7	2	ADD [expr], A	C, Z	31	4	2	XOR A, expr	Z	5E	7	2	MOV A, reg[X+expr]	Z
05	8	2	ADD [X+expr], A	C, Z	32	6	2	XOR A, [expr]	Z	5F	10	3	MOV [expr], [expr]	
06	9	3	ADD [expr], expr	C, Z	33	7	2	XOR A, [X+expr]	Z	60	5	2	MOV reg[expr], A	
07	10	3	ADD [X+expr], expr	C, Z	34	7	2	XOR [expr], A	Z	61	6	2	MOV reg[X+expr], A	
08	4	1	PUSH A		35	8	2	XOR [X+expr], A	Z	62	8	3	MOV reg[expr], expr	
09	4	2	ADC A, expr	C, Z	36	9	3	XOR [expr], expr	Z	63	9	3	MOV reg[X+expr], expr	
0A	6	2	ADC A, [expr]	C, Z	37	10	3	XOR [X+expr], expr	Z	64	4	1	ASL A	C, Z
0B	7	2	ADC A, [X+expr]	C, Z	38	5	2	ADD SP, expr		65	7	2	ASL [expr]	C, Z
0C	7	2	ADC [expr], A	C, Z	39	5	2	CMP A, expr	if (A=B) Z=1 if (A<B) C=1	66	8	2	ASL [X+expr]	C, Z
0D	8	2	ADC [X+expr], A	C, Z	3A	7	2	CMP A, [expr]		67	4	1	ASR A	C, Z
0E	9	3	ADC [expr], expr	C, Z	3B	8	2	CMP A, [X+expr]		68	7	2	ASR [expr]	C, Z
0F	10	3	ADC [X+expr], expr	C, Z	3C	8	3	CMP [expr], expr		69	8	2	ASR [X+expr]	C, Z
10	4	1	PUSH X		3D	9	3	CMP [X+expr], expr		6A	4	1	RLC A	C, Z
11	4	2	SUB A, expr	C, Z	3E	10	2	MVI A, [ [expr]++ ]	Z	6B	7	2	RLC [expr]	C, Z
12	6	2	SUB A, [expr]	C, Z	3F	10	2	MVI [ [expr]++ ], A		6C	8	2	RLC [X+expr]	C, Z

Table 10-1. Instruction Set Summary Sorted Numerically by Opcode Order (continued)

Opcode Hex	Cycles	Bytes	Instruction Format <sup>[1,2]</sup>	Flags	Opcode Hex	Cycles	Bytes	Instruction Format	Flags	Opcode Hex	Cycles	Bytes	Instruction Format	Flags
13	7	2	SUB A, [X+expr]	C, Z	40	4	1	NOP		6D	4	1	RRC A	C, Z
14	7	2	SUB [expr], A	C, Z	41	9	3	AND reg[expr], expr	Z	6E	7	2	RRC [expr]	C, Z
15	8	2	SUB [X+expr], A	C, Z	42	10	3	AND reg[X+expr], expr	Z	6F	8	2	RRC [X+expr]	C, Z
16	9	3	SUB [expr], expr	C, Z	43	9	3	OR reg[expr], expr	Z	70	4	2	AND F, expr	C, Z
17	10	3	SUB [X+expr], expr	C, Z	44	10	3	OR reg[X+expr], expr	Z	71	4	2	OR F, expr	C, Z
18	5	1	POP A	Z	45	9	3	XOR reg[expr], expr	Z	72	4	2	XOR F, expr	C, Z
19	4	2	SBB A, expr	C, Z	46	10	3	XOR reg[X+expr], expr	Z	73	4	1	CPL A	Z
1A	6	2	SBB A, [expr]	C, Z	47	8	3	TST [expr], expr	Z	74	4	1	INC A	C, Z
1B	7	2	SBB A, [X+expr]	C, Z	48	9	3	TST [X+expr], expr	Z	75	4	1	INC X	C, Z
1C	7	2	SBB [expr], A	C, Z	49	9	3	TST reg[expr], expr	Z	76	7	2	INC [expr]	C, Z
1D	8	2	SBB [X+expr], A	C, Z	4A	10	3	TST reg[X+expr], expr	Z	77	8	2	INC [X+expr]	C, Z
1E	9	3	SBB [expr], expr	C, Z	4B	5	1	SWAP A, X	Z	78	4	1	DEC A	C, Z
1F	10	3	SBB [X+expr], expr	C, Z	4C	7	2	SWAP A, [expr]	Z	79	4	1	DEC X	C, Z
20	5	1	POP X		4D	7	2	SWAP X, [expr]		7A	7	2	DEC [expr]	C, Z
21	4	2	AND A, expr	Z	4E	5	1	SWAP A, SP	Z	7B	8	2	DEC [X+expr]	C, Z
22	6	2	AND A, [expr]	Z	4F	4	1	MOV X, SP		7C	13	3	LCALL	
23	7	2	AND A, [X+expr]	Z	50	4	2	MOV A, expr	Z	7D	7	3	LJMP	
24	7	2	AND [expr], A	Z	51	5	2	MOV A, [expr]	Z	7E	10	1	RETI	C, Z
25	8	2	AND [X+expr], A	Z	52	6	2	MOV A, [X+expr]	Z	7F	8	1	RET	
26	9	3	AND [expr], expr	Z	53	5	2	MOV [expr], A		8x	5	2	JMP	
27	10	3	AND [X+expr], expr	Z	54	6	2	MOV [X+expr], A		9x	11	2	CALL	
28	11	1	ROMX	Z	55	8	3	MOV [expr], expr		Ax	5	2	JZ	
29	4	2	OR A, expr	Z	56	9	3	MOV [X+expr], expr		Bx	5	2	JNZ	
2A	6	2	OR A, [expr]	Z	57	4	2	MOV X, expr		Cx	5	2	JC	
2B	7	2	OR A, [X+expr]	Z	58	6	2	MOV X, [expr]		Dx	5	2	JNC	
2C	7	2	OR [expr], A	Z	59	7	2	MOV X, [X+expr]		Ex	7	2	JACC	
										Fx	13	2	INDEX	Z

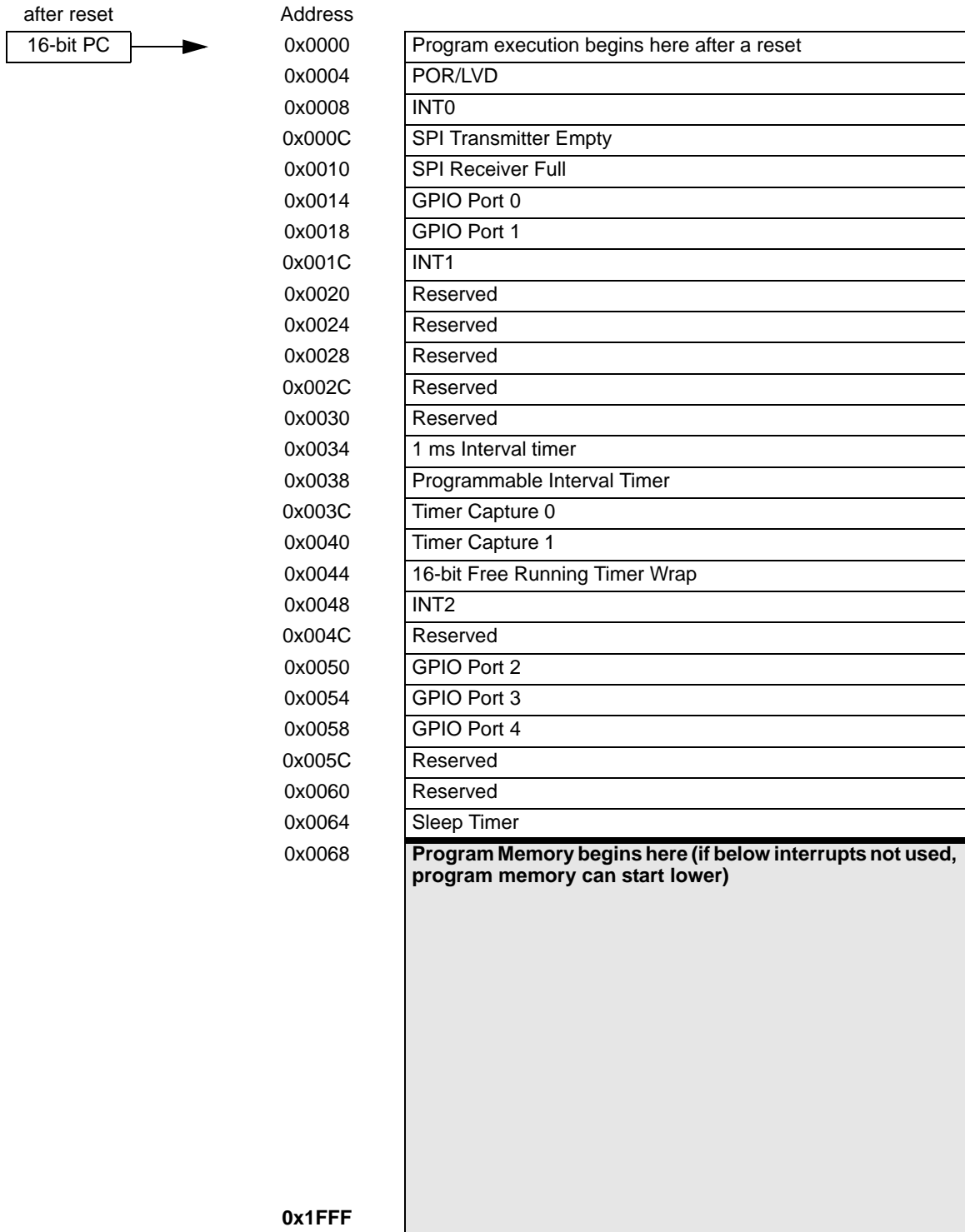
Notes

1. Interrupt routines take 13 cycles before execution resumes at interrupt vector table.
2. The number of cycles required by an instruction is increased by one for instructions that span 256 byte boundaries in the Flash memory space.

## 11. Memory Organization

### 11.1 Flash Program Memory Organization

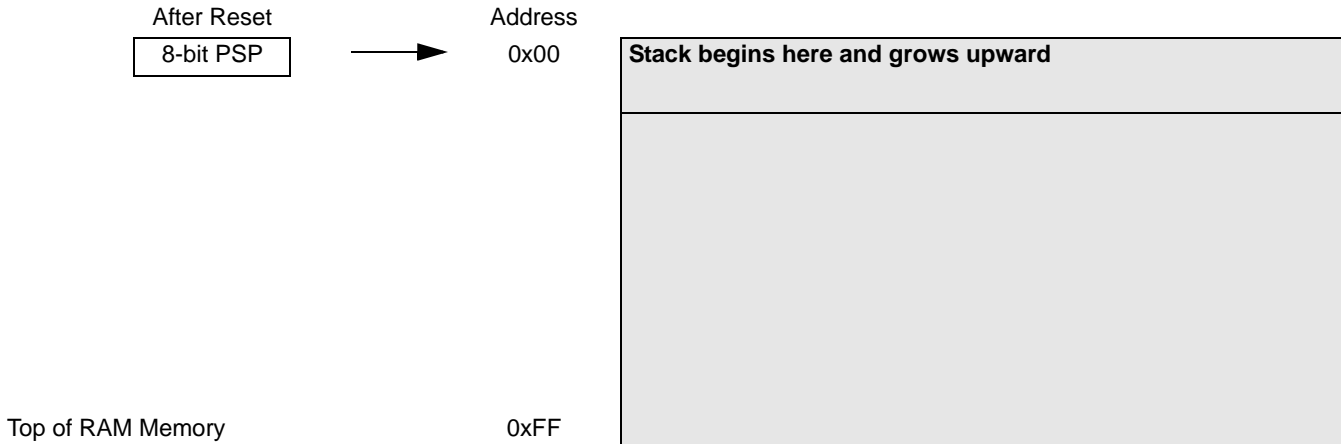
Figure 11-1. Program Memory Space with Interrupt Vector Table



### 11.2 Data Memory Organization

The CY7C601xx and CY7C602xx microcontrollers provide up to 256 bytes of data RAM

Figure 11-2. Data Memory Organization



### 11.3 Flash

This section describes the Flash block of enCoRe II LV. Much of the visible Flash functionality, including programming and security, are implemented in the M8C Supervisory Read Only Memory (SROM). enCoRe II LV Flash has an endurance of 1000 erase and write cycles and a ten year data retention capability.

#### 11.3.1 Flash Programming and Security

All Flash programming is performed by code in the SROM. The registers that control Flash programming are only visible to the M8C CPU when it is executing out of SROM. This makes it impossible to read, write, or erase the Flash by avoiding the security mechanisms implemented in the SROM.

Customer firmware only programs Flash via SROM calls. The data or code images are sourced through any interface with the appropriate support firmware. This type of programming requires a 'boot-loader'—a piece of firmware resident on the Flash. For safety reasons this boot-loader is not overwritten during firmware rewrites.

The Flash provides four extra auxiliary rows to hold Flash block protection flags, boot time calibration values, configuration tables, and any device values. The routines to access these auxiliary rows are documented in the SROM section. The auxiliary rows are not affected by the device erase function.

#### 11.3.2 In-System Programming

enCoRe II LV devices enable in-system programming by using the P1.0 and P1.1 pins as the serial programming mode interface. This allows an external controller to make the enCoRe II LV part enter serial programming mode and then use the test queue to issue Flash access functions in the SROM.

### 11.4 SROM

The SROM holds the code to boot the part, calibrate circuitry, and perform Flash operations (Table 11-1 lists the SROM functions). The functions of the SROM are accessed in normal user code or operating from Flash. The SROM exists in a separate memory space from user code. To access SROM functions, the Supervisory System Call instruction (SSC) is executed, which has an opcode of 00h. Before executing SSC, the M8C's accumulator is loaded with the desired SROM function code from Table 11-1. Undefined functions causes a HALT if called from user code. The SROM functions execute code with calls; therefore, the functions require stack space. With the exception of Reset, all of the SROM functions have a *parameter block* in SRAM that must be configured before executing the SSC. Table 11-2 lists all possible parameter block variables. The meaning of each parameter, with regards to a specific SROM function, is described later in this section.

Table 11-1. SROM Function Codes

Function Code	Function Name	Stack Space
00h	SWBootReset	0
01h	ReadBlock	7
02h	WriteBlock	10
03h	EraseBlock	9
05h	EraseAll	11
06h	TableRead	3
07h	Checksum	3

Two important variables used for all functions are KEY1 and KEY2. These variables help discriminate between valid and inadvertent SSCs. KEY1 always has a value of 3Ah, while KEY2 has the same value as the stack pointer when the SROM function begins execution. This is the Stack Pointer value when the SSC opcode is executed, plus three. If either of the keys do not match the expected values, the M8C halts (with the exception of the SWBootReset function). The following code puts the correct value in KEY1 and KEY2. The code starts with a halt, to force the program to jump directly into the setup code and not run into it.

```
halt
SSCOP: mov [KEY1], 3ah
mov X, SP
mov A, X
add A, 3
mov [KEY2], A
```

**Table 11-2. SROM Function Parameters**

Variable Name	SRAM Address
Key1/Counter/Return Code	0,F8h
Key2/TMP	0,F9h
BlockID	0,FAh
Pointer	0,FBh
Clock	0,FCh
Mode	0,FDh
Delay	0,FEh
PCL	0,FFh

**11.4.1 Return Codes**

The SROM also features Return Codes and Lockouts.

Return codes determine the success or failure of a particular function. The return code is stored in KEY1's position in the parameter block. The CheckSum and TableRead functions do not have return codes because KEY1's position in the parameter block is used to return other data.

**Table 11-3. SROM Return Codes**

Return Code	Description
00h	Success
01h	Function not allowed due to level of protection on block
02h	Software reset without hardware reset
03h	Fatal error, SROM halted

Read, write, and erase operations may fail if the target block is read or write protected. Block protection levels are set during device programming.

The EraseAll function overwrites data in addition to leaving the entire user Flash in the erase state. The EraseAll function loops through the number of Flash macros in the product, executing the following sequence: erase, bulk program all zeros, erase. After the user space in all Flash macros are erased, a second loop erases and then programs each protection block with zeros.

**11.5 SROM Function Descriptions**

**11.5.1 SWBootReset Function**

The SROM function, SWBootReset, is responsible for transitioning the device from a reset state to running user code. The SWBootReset function is executed whenever the SROM is entered with an M8C accumulator value of 00h: the SRAM parameter block is not used as an input to the function. This happens, by design, after a hardware reset, because the M8C's accumulator is reset to 00h or when user code executes the SSC instruction with an accumulator value of 00h. The SWBootReset function does not execute when the SSC instruction is executed with a bad key value and a non zero function code. An enCoRe II LV device executes the HALT instruction if a bad value is given for either KEY1 or KEY2.

The SWBootReset function verifies the integrity of the calibration data by way of a 16-bit checksum, before releasing the M8C to run user code.

**11.5.2 ReadBlock Function**

The ReadBlock function is used to read 64 contiguous bytes from Flash: a block.

The function first checks the protection bits and determines if the desired BLOCKID is readable. If read protection is turned on, the ReadBlock function exits setting the accumulator and KEY2 back to 00h. KEY1 has a value of 01h, indicating a read failure. If read protection is not enabled, the function reads 64 bytes from the Flash using a ROMX instruction and stores the results in SRAM using an MVI instruction. The first of the 64 bytes is stored in SRAM at the address indicated by the value of the POINTER parameter. When the ReadBlock completes successfully the accumulator, KEY1 and KEY2 all have a value of 00h.

**Table 11-4. ReadBlock Parameters**

Name	Address	Description
KEY1	0,F8h	3Ah
KEY2	0,F9h	Stack Pointer value, when SSC is executed
BLOCKID	0,FAh	Flash block number
POINTER	0,FBh	First of 64 addresses in SRAM where returned data is stored



11.5.3 WriteBlock Function

The WriteBlock function is used to store data in Flash. Data is moved 64 bytes at a time from SRAM to Flash using this function. The WriteBlock function first checks the protection bits and determines if the desired BLOCKID is writable. If write protection is turned on, the WriteBlock function exits setting the accumulator and KEY2 back to 00h. KEY1 has a value of 01h, indicating a write failure. The configuration of the WriteBlock function is straightforward. The BLOCKID of the Flash block, where the data is stored, is determined and stored at SRAM address FAh.

The SRAM address of the first of the 64 bytes to be stored in Flash is indicated using the POINTER variable in the parameter block (SRAM address FBh). Finally, the CLOCK and DELAY value are set correctly. The CLOCK value determines the length of the write pulse used to store the data in Flash. The CLOCK and DELAY values are dependent on the CPU speed and must be set correctly. Refer to the [Clocking](#) section for additional information.

Table 11-5. WriteBlock Parameters

Name	Address	Description
KEY1	0,F8h	3Ah
KEY2	0,F9h	Stack Pointer value, when SSC is executing
BLOCK ID	0,FAh	8 KB Flash block number (00h–7Fh) 4 KB Flash block number (00h–3Fh) 3 KB Flash block number (00h–2Fh)
POINTER	0,FBh	First 64 addresses in SRAM where the data is stored in Flash is located before calling WriteBlock
CLOCK	0,FCh	Clock Divider used to set the write pulse width
DELAY	0,FEh	For a CPU speed of 12 MHz set to 56h

11.5.4 EraseBlock Function

The EraseBlock function is used to erase a block of 64 contiguous bytes in Flash. The EraseBlock function first checks the protection bits and determines if the desired BLOCKID is writable. If write protection is turned on, the EraseBlock function exits setting the accumulator and KEY2 back to 00h. KEY1 has a value of 01h, indicating a write failure. The EraseBlock function is only useful as the first step in programming. Erasing a block does not make data in a block fully unreadable. If the objective is to obliterate data in a block, the best method is to perform an EraseBlock followed by a WriteBlock of all zeros.

To set up the parameter block for EraseBlock, correct key values must be stored in KEY1 and KEY2. The block number to be erased is stored in the BLOCKID variable and the CLOCK and DELAY values are set based on the current CPU speed.

Table 11-6. EraseBlock Parameters

Name	Address	Description
KEY1	0,F8h	3Ah
KEY2	0,F9h	Stack Pointer value, when SSC is executed
BLOCKID	0,FAh	Flash block number (00h–7Fh)
CLOCK	0,FCh	Clock Divider used to set the erase pulse width
DELAY	0,FEh	For a CPU speed of 12 MHz set to 56h

11.5.5 ProtectBlock Function

The enCoRe II LV devices offer Flash protection on a block-by-block basis. [Table 11-7](#) lists the protection modes available. In the table, ER and EW indicate the ability to perform external reads and writes; IW is used for internal writes. Internal reading is always permitted using the ROMX instruction. The ability to read using the SROM ReadBlock function is indicated by SR. The protection level is stored in two bits according to [Table 11-7](#). These bits are bit packed into 64 bytes of the protection block. Therefore, each protection block byte stores the protection level for four Flash blocks. The bits are packed into a byte, with the lowest numbered block’s protection level stored in the lowest numbered bits in [Table 11-7](#).

The first address of the protection block contains the protection level for blocks 0 through 3; the second address is for blocks 4 through 7. The 64th byte stores the protection level for blocks 252 through 255.

Table 11-7. Protection Modes

Mode	Settings	Description	Marketing
00b	SR ER EW IW	Unprotected	Unprotected
01b	SR ER EW IW	Read protect	Factory upgrade
10b	SR ER EW IW	Disable external write	Field upgrade
11b	SR ER EW IW	Disable internal write	Full protection

7	6	5	4	3	2	1	0
Block n+3		Block n+2		Block n+1		Block n	

Only an EraseAll decreases the protection level by placing zeros in all locations of the protection block. To set the level of protection, the ProtectBlock function is used. This function takes data from SRAM, starting at address 80h, and ORs it with the current values in the protection block. The result of the OR operation is then stored in the protection block. The EraseBlock function does not change the protection level for a block. Because the SRAM location for the protection data is fixed and there is only one protection block per Flash macro, the ProtectBlock function expects very few variables in the parameter block to be set before calling the function. The parameter block values that are, besides the keys, are the CLOCK and DELAY values.

**Table 11-8. ProtectBlock Parameters**

Name	Address	Description
KEY1	0,F8h	3Ah
KEY2	0,F9h	Stack Pointer value when SSC is executed
CLOCK	0,FCh	Clock Divider used to set the write pulse width
DELAY	0,FEh	For a CPU speed of 12 MHz set to 56h

**11.5.6 EraseAll Function**

The EraseAll function performs a series of steps that destroy the user data in the Flash macros and resets the protection block in each Flash macro to all zeros (the unprotected state). The EraseAll function does not affect the three hidden blocks above the protection block in each Flash macro. The first of these four hidden blocks is used to store the protection table for its eight Kbytes of user data.

The EraseAll function begins by erasing the user space of the Flash macro with the highest address range. A bulk program of all zeros is then performed on the same Flash macro, to destroy all traces of previous contents. The bulk program is followed by a second erase that leaves the Flash macro ready for writing. The erase, program, erase sequence is then performed on the next lowest Flash macro in the address space if it exists. Following erase of the user space, the protection block for the Flash macro with the highest address range is erased. Following erase of the protection block, zeros are written into every bit of the protection table. The next lowest Flash macro in the address space then has its protection block erased and filled with zeros.

The result of the EraseAll function is that all user data in Flash is destroyed and the Flash is left in an unprogrammed state, ready to accept one of the various write commands. The protection bits for all user data are also reset to the zero state.

Besides the keys, the CLOCK and DELAY parameter block values are also set.

**Table 11-9. EraseAll Parameters**

Name	Address	Description
KEY1	0,F8h	3Ah
KEY2	0,F9h	Stack Pointer value when SSC is executed
CLOCK	0,FCh	Clock Divider used to set the write pulse width
DELAY	0,FEh	For a CPU speed of 12 MHz set to 56h

**11.5.7 TableRead Function**

The TableRead function gives the user access to part specific data stored in the Flash during manufacturing. It also returns a Revision ID for the die (not to be confused with the Silicon ID).

**Table 11-10. Table Read Parameters**

Name	Address	Description
KEY1	0,F8h	3Ah
KEY2	0,F9h	Stack Pointer value when SSC is executed.
BLOCKID	0,FAh	Table number to read.

The table space for the enCoRe II LV is simply a 64 byte row broken up into eight tables of eight bytes. The tables are numbered zero through seven. All user and hidden blocks in the CY7C601xx/CY7C602xx parts consist of 64 bytes.

An internal table (Table 0) holds the Silicon ID and returns the Revision ID. The Silicon ID is returned in SRAM, while the Revision and Family IDs are returned in the CPU\_A and CPU\_X registers. The Silicon ID is a value placed in the table by programming the Flash and is controlled by Cypress Semiconductor Product Engineering. The Revision ID is hard coded into the SROM and also redundantly placed in SROM Table 1. This is discussed in more detail later in this section.

SROM Table 1 holds Family/Die ID and Revision ID values for the device and returns a one-byte internal revision counter. The internal revision counter starts with a value of zero and is incremented when one of the other revision numbers is not incremented. It is reset to zero when one of the other revision numbers is incremented. The internal revision count is returned in the CPU\_A register. The CPU\_X register is always set to FFh when Table 1 is read. The CPU\_A and CPU\_X registers always return a value of FFh when Tables 2-7 are read. The BLOCKID value, in the parameter block, indicates which table must be returned to the user. Only the three least significant bits of the BLOCKID parameter are used by TableRead function for enCoRe II LV devices. The upper five bits are ignored. When the function is called, it transfers bytes from the table to SRAM addresses F8h–FFh.

The M8C's A and X registers are used by the TableRead function to return the die's Revision ID. The Revision ID is a 16-bit value hard coded into the SROM that uniquely identifies the die's design.

The return values for corresponding Table calls are tabulated as shown in Table 11-11 on page 18

**Table 11-11. Return Values for Table Read**

Table Number	Return Value	
	A	X
0	Revision ID	Family ID
1	Internal Revision Counter	0xFF
2-7	0xFF	0xFF

### 11.6 SROM Table Read Description

The Silicon IDs for enCoRe II LV devices are stored in SROM tables in the part, as shown in [Figure 11-3](#) on page 20

The Silicon ID can be read out from the part using SROM Table reads. This is demonstrated in the following pseudo code. As mentioned in the section [SROM](#) on page 15, the SROM variables occupy address F8h through FFh in the SRAM. Each of the variables and their definition are given in the section [SROM](#) on page 15.

```

AREA SSCParmBlkA(RAM,ABS)

    org F8h // Variables are defined starting at address F8h

SSC_KEY1:                ; F8h  supervisory key
SSC_RETURNCODE:         blk 1 ; F8h  result code
SSC_KEY2 :              blk 1 ; F9h  supervisory stack ptr key
SSC_BLOCKID:           blk 1 ; FAh  block ID
SSC_POINTER:           blk 1 ; FBh  pointer to data buffer
SSC_CLOCK:             blk 1 ; FCh  Clock
SSC_MODE:              blk 1 ; FDh  ClockW ClockE multiplier
SSC_DELAY:             blk 1 ; FEh  flash macro sequence delay count
SSC_WRITE_ResultCode: blk 1 ; FFh  temporary result code

_main:
    mov A, 2
    mov [SSC_BLOCKID], A // To read from Table 2 - trim values for the IMO are stored in table 2
    mov X, SP           ; copy SP into X
    mov A, X           ; A temp stored in X
    add A, 3           ; create 3 byte stack frame (2 + pushed A)
    mov [SSC_KEY2], A  ; save stack frame for supervisory code

    ; load the supervisory code for flash operations
    mov [SSC_KEY1], 3Ah ;FLASH_OPER_KEY - 3Ah

    mov A,6           ; load A with specific operation. 06h is the code for Table read
Table 11-1
    SSC               ; SSC call the supervisory ROM

// At the end of the SSC command the silicon ID is stored in F8 (MSB) and F9(LSB) of the SRAM

.terminate:
    jmp .terminate

```

Figure 11-3. SROM Table

	F8h	F9h	FAh	FBh	FCh	FDh	FEh	FFh
Table 0	Silicon ID [15-8]	Silicon ID [7-0]						
Table 1	Family / Die ID	Revision ID						
Table 2					24 MHz IOSCTR at 3.30V	24 MHz IOSCTR at 3.00V	24 MHz IOSCTR at 2.85V	24 MHz IOSCTR at 2.70V
Table 3	32 KHz LPOSCTR at 3.30V	32 KHz LPOSCTR at 3.00V	32 KHz LPOSCTR at 2.85V	32 KHz LPOSCTR at 2.70V				
Table 4								
Table 5								
Table 6								
Table 7								

11.6.1 Checksum Function

The Checksum function calculates a 16-bit checksum over a user specifiable number of blocks, within a single Flash macro (Bank) starting from block zero. The BLOCKID parameter is used to pass in the number of blocks to calculate the checksum over. A BLOCKID value of '1' calculates the checksum of only block 0, while a BLOCKID value of '0' calculates the checksum of all 256 user blocks. The 16-bit checksum is returned in KEY1 and KEY2. The parameter KEY1 holds the lower eight bits of the checksum and the parameter KEY2 holds the upper eight bits of the checksum.

The checksum algorithm executes the following sequence of three instructions over the number of blocks times 64 to be checksummed.

```
romx
add [KEY1], A
adc [KEY2], 0
```

Table 11-12. Checksum Parameters

Name	Address	Description
KEY1	0,F8h	3Ah
KEY2	0,F9h	Stack Pointer value when SSC is executed
BLOCKID	0,FAh	Number of Flash blocks to calculate checksum on

## 12. Clocking

The enCoRe II LV has two internal oscillators, the internal 24 MHz oscillator and the 32 kHz low power oscillator.

The internal 24 MHz oscillator is designed such that it is trimmed to an output frequency of 24 MHz over temperature and voltage variation. The internal 24 MHz oscillator accuracy is 24 MHz -22% to +10% (between 0° and 70°C). No external components are required to achieve this level of accuracy.

Firmware is responsible for selecting the correct trim values from the user row to match the power supply voltage in the end application and writing the values to the trim registers IOSCTR and LPOSCTR.

The internal low speed oscillator of nominally 32 kHz provides a slow clock source for the enCoRe II LV in suspend mode, particularly to generate a periodic wakeup interrupt and also to provide a clock to sequential logic during power up and power down events when the main clock is stopped. In addition, this oscillator can be used as a clocking source for the Interval Timer clock (ITMRCLK) and Capture Timer clock (TCAPCLK). The 32 kHz

low power oscillator can operate in low power mode or provide a more accurate clock in normal mode. The internal 32 kHz low power oscillator accuracy ranges from -53.12% to +56.25%. The 32 kHz low power oscillator can be calibrated against the internal 24 MHz oscillator or another timing source, if desired.

enCoRe II LV provides the ability to load new trim values for the 24 MHz oscillator based on voltage. This allows Vdd to be monitored and have firmware trim the oscillator based on voltage present. The IOSCTR register is used to set trim values for the 24 MHz oscillator. enCoRe II LV is initialized with 3.30V trim values at power on, then firmware is responsible for transferring the correct set of trim values to the trim registers to match the application's actual Vdd. The 32 kHz oscillator generally does not require trim adjustments for voltage but trim values for the 32 kHz are also stored in Supervisory ROM.

To improve the accuracy of the IMO, new trim values are loaded based on supply voltage to the part. For this, firmware needs to make modifications to two registers:

1. The internal oscillator trim register at location 0x34.
2. The gain register at location 0x38.

### 12.1 Trim Values for the IOSCTR Register

The trim values are stored in SROM tables in the part as shown in [Figure 11-3](#).

The trim values are read out from the part based on voltage settings and written to the IOSCTR register at location 0x34. The following pseudo code shows how this is done.

```
_main:
    mov    A, 2
    mov    [SSC_BLOCKID], A
```

Call SROM operation to read the SROM table (Refer to section [SROM Table Read Description](#) on page 19)

```
//After this command is executed, the trim values for 3.3, 3.0, 2.85 and 2.7 are stored at locations
FC through FF in the RAM. SROM calls are explained in the previous section of this data sheet
;    mov    A, [FCh]                // trim values for 3.3V
;    mov    A, [FDh]                // trim values for 3.0V
;    mov    A, [FEh]                // trim values for 2.85V
;    mov    A, [FFh]                // trim values for 2.70V
;    mov    reg[IOSCTR],A // Loading IOSCTR with trim values for 3.0V
.terminate:
    jmp .terminate
```

#### Gain value for the register at location [0x38]:

3.3V = 0x40

3.0V = 0x40

2.85V = 0xFF

2.70V = 0xFF

Load register [0x38] with the gain values corresponding to the appropriate voltage.

**Table 12-1. Oscillator Trim Values vs. Voltage Settings**

Supervisory ROM Table	Function
Table2 FCh	24 MHz IOSCTR at 3.30V
Table2 FDh	24 MHz IOSCTR at 3.00V
Table2 FEh	24 MHz IOSCTR at 2.85V
Table2 FFh	24 MHz IOSCTR at 2.70V
Table3 F8h	32 kHz LPOSCTR at 3.30V
Table3 F9h	32 kHz LPOSCTR at 3.00V
Table3 FAh	32 kHz LPOSCTR at 2.85V
Table3 FBh	32 kHz LPOSCTR at 2.70V

When using the 32 kHz oscillator, the PITMRL/H is read until two consecutive readings match before sending and receiving data. The following firmware example assumes the developer is interested in the lower byte of the PIT.

```

Read_PIT_counter:
mov A, reg[PITMRL]
mov [57h], A
mov A, reg[PITMRL]
mov [58h], A
mov [59h], A
mov A, reg[PITMRL]
mov [60h], A
;;;Start comparison
mov A, [60h]
mov X, [59h]
sub A, [59h]
jz done
mov A, [59h]
mov X, [58h]
sub A, [58h]
jz done
mov X, [57h]
;;;correct data is in memory location 57h
done:
mov [57h], X
ret

```

The CY7C601xx part is optionally sourced from an external crystal oscillator. The external clock driving on CLKIN range is from 187 KHz to 24 MHz.

## 12.2 Clock Architecture Description

The enCoRe II LV clock selection circuitry allows the selection of independent clocks for the CPU, Interval Timers, and Capture Timers.

On the CY7C601xx, the external oscillator is sourced by the crystal oscillator. When the crystal oscillator is disabled, it is sourced directly from the CLKIN pin. The external crystal oscillator is fed through the EFTB block, which is optionally bypassed.

### 12.2.1 CPU Clock

The CPU clock, CPUCLK, is sourced from the external crystal oscillator, the internal 24 MHz oscillator, or the Internal 32 kHz low power oscillator. The selected clock source can optionally be divided by  $2^{n-1}$  where  $n$  is 0–7 (see [Table 12-3](#)).

When it is not being used by the external crystal oscillator, the CLKOUT pin is driven from one of many sources. This is used for test and also in some applications. The sources that drive the CLKOUT are:

- CLKIN after the optional EFTB filter.
- Internal 24 MHz Oscillator.
- Internal 32 kHz Oscillator.
- CPUCLK after the programmable divider.

Figure 12-1. CPU Clock Block Diagram

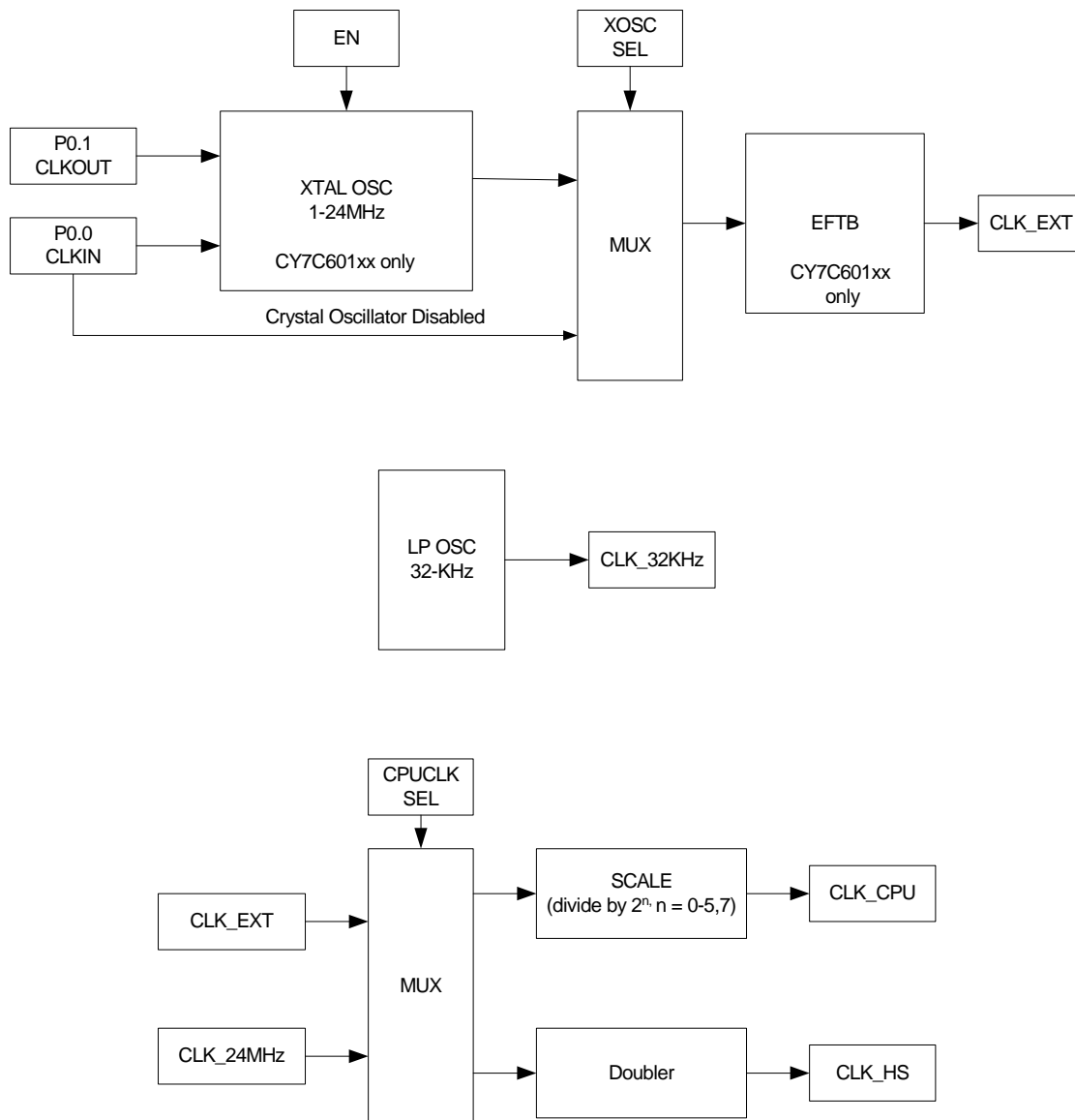


Table 12-2. CPU Clock Configuration (CPUCLKCR) [0x30] [R/W]

Bit #	7	6	5	4	3	2	1	0
Field	Reserved							CPUCLK Select
Read/Write	-	-	-	-	-	-	-	R/W
Default	0	0	0	0	0	0	0	0

**Bit [7:1]:** Reserved

**Bit 0:** CPU CLK Select

0 = Internal 24 MHz Oscillator.

1 = External crystal oscillator—External crystal oscillator on CLKIN and CLKOUT if the external crystal oscillator is enabled, CLKIN input if the external crystal oscillator is disabled.

**Note** The CPU speed selection is configured using the OSC\_CR0 Register (Table 12-3).

**Table 12-3. OSC Control 0 (OSC\_CR0) [0x1E0] [R/W]**

Bit #	7	6	5	4	3	2	1	0
Field	Reserved		No Buzz	Sleep Timer [1:0]		CPU Speed [2:0]		
Read/Write	–	–	R/W	R/W	R/W	R/W	R/W	R/W
Default	0	0	0	0	0	0	0	0

**Bit [7:6]:** Reserved

**Bit 5:** No Buzz

During sleep (the Sleep bit is set in the CPU\_SCR Register—[Table 13-1](#)), the LVD and POR detection circuit is turned on periodically to detect any POR and LVD events on the V<sub>CC</sub> pin (the Sleep Duty Cycle bits in the ECO\_TR are used to control the duty cycle—[Table 15-3](#)). To facilitate the detection of POR and LVD events, the No Buzz bit is used to continuously enable the LVD and POR detection circuit during sleep. This results in a faster response to an LVD or POR event during sleep at the expense of a slightly higher than average sleep current. Obtaining the absolute lowest power usage in sleep mode requires the No Buzz bit be clear.

0 = The LVD and POR detection circuit is turned on periodically as configured in the Sleep Duty Cycle.

1 = The Sleep Duty Cycle value is overridden. The LVD and POR detection circuit is always enabled.

**Note** The periodic Sleep Duty Cycle enabling is independent with the sleep interval shown in the Sleep [1:0] bits below.

**Bit [4:3]:** Sleep Timer [1:0]

Sleep Timer [1:0]	Sleep Timer Clock Frequency (Nominal)	Sleep Period (Nominal)	Watchdog Period (Nominal)
00	512 Hz	1.95 ms	6 ms
01	64 Hz	15.6 ms	47 ms
10	8 Hz	125 ms	375 ms
11	1 Hz	1 sec	3 sec

**Note** Sleep intervals are approximate.

**Bit [2:0]:** CPU Speed [2:0]

The enCoRe II LV operates over a range of CPU clock speeds. The reset value for the CPU Speed bits is zero; therefore, the default CPU speed is 3 MHz.

CPU Speed [2:0]	CPU when Internal Oscillator is selected	External Clock
000	3 MHz (Default)	Clock In/8
001	6 MHz	Clock In/4
010	12 MHz	Clock In/2
011	Reserved	Reserved
100	1.5 MHz	Clock In/16
101	750 KHz	Clock In/32
110	187 KHz	Clock In/128
111	Reserved	Reserved

**Note** This register exists in the second bank of IO space. This requires setting the XIO bit in the CPU flags register.



**Table 12-4. Clock IO Configuration (CLKIOCR) [0x32] [R/W]**

Bit #	7	6	5	4	3	2	1	0
Field	Reserved			XOSC Select	XOSC Enable	EFTB Disabled	CLKOUT Select	
Read/Write	–	–	–	R/W	R/W	R/W	R/W	R/W
Default	0	0	0	0	0	0	0	0

**Bit [7:5]:** Reserved

**Bit 4:** XOSC Select

This bit, when set, selects the external crystal oscillator clock as clock source of external clock. When selecting the crystal oscillator clock, first enable the crystal oscillator and wait for few cycles. This is the oscillator stabilization period. Then select the crystal clock as clock source. Similarly, to deselect crystal clock, first deselect crystal clock as clock source then disable the crystal oscillator.

0 = Not select external crystal oscillator clock.

1 = Select the external crystal oscillator clock.

**Bit 3:** XOSC Enable

This bit is only available on the CY7C601xx.

This bit when set enables the external crystal oscillator. The external crystal oscillator shares pads CLKIN and CLKOUT with two GPIOs—P0.0 and P0.1 respectively. When the external crystal oscillator is enabled, the CLKIN signal comes from the external crystal oscillator block and the output enables on the GPIOs for P0.0 and P0.1 are disabled, eliminating the possibility of contention. When the external crystal oscillator is disabled, the source for CLKIN signal comes from the P0.0 GPIO input.

0 = Disable the external oscillator.

1 = Enable the external oscillator.

**Note** The external crystal oscillator startup time takes up to 2 ms.

**Bit 2:** EFTB Disabled

This bit is only available on the CY7C601xx.

0 = Enable the EFTB filter.

1 = Disable the EFTB filter, causing CLKIN to bypass the EFTB filter.

**Bit [1:0]:** CLKOUT Select

0 0 = Internal 24 MHz Oscillator

0 1 = External crystal oscillator—external crystal oscillator on CLKIN and CLKOUT if the external crystal oscillator is enabled, CLKIN input if the external oscillator is disabled

1 0 = Internal 32 kHz low power oscillator

1 1 = CPUCLK

### 12.2.2 Interval Timer Clock (ITMRCLK)

The Interval Timer Clock (ITMRCLK) is sourced from the external crystal oscillator, the internal 24 MHz oscillator, the internal 32 kHz low power oscillator, or the Timer Capture clock. A programmable prescaler of 1, 2, 3, or 4 then divides the selected source. The 12-bit Programmable Interval Timer is a simple down counter with a programmable reload value. It provides a 1 μs resolution by default. When the down counter reaches zero, the next clock is spent reloading. The reload value is read and written when the counter is running, but ensure that the counter does not unintentionally reload when the 12-bit reload value is only partially stored—between two writes of the 12-bit value. The programmable interval timer generates an interrupt to the CPU on each reload.

The parameters to be set shows up on the device editor view of PSoC Designer when you place the enCoRe II LV timer user module. The parameters are PITIMER\_Source and PITIMER\_Divider. The PITIMER\_Source is the clock to the timer and the PITIMER\_Divider is the value the clock is divided by.

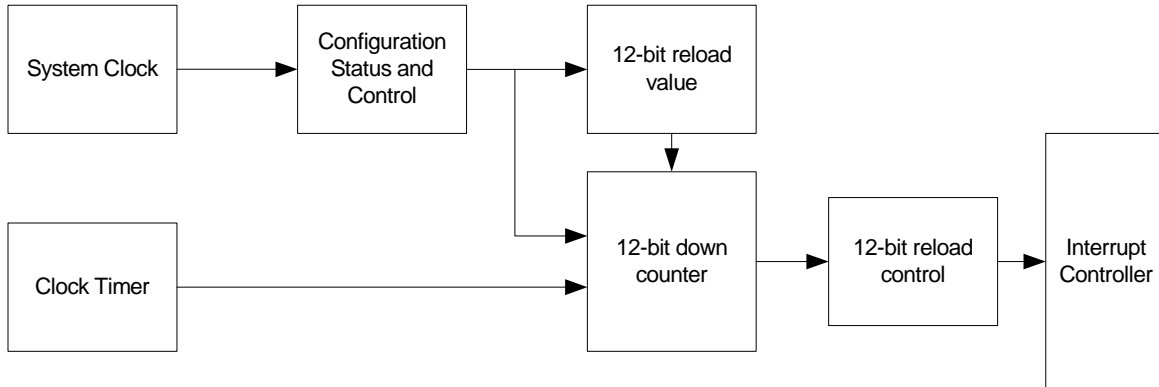
The interval register (PITMR) holds the value that is loaded into the PIT counter on terminal count.

The programmable interval timer resolution is configurable. For example:

TCAPCLK divide by x of CPU clock (for example TCAPCLK divide by 2 of a 24 MHz CPU clock gives a frequency of 12 MHz)

ITMRCLK divide by x of TCAPCLK (for example, ITMRCLK divide by 3 of TCAPCLK is 4 MHz so resolution is 0.25 μs)

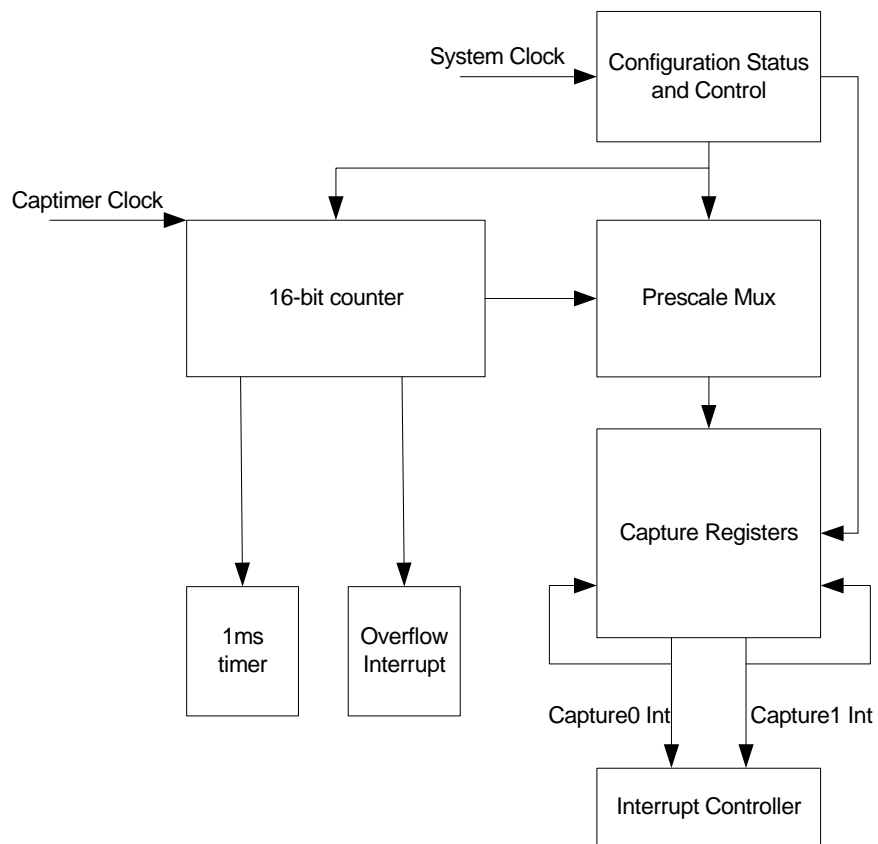
**Figure 12-2. Programmable Interval Timer Block Diagram**



**12.2.3 Timer Capture Clock (TCAPCLK)**

The Timer Capture clock (TCAPCLK) is sourced from the external crystal oscillator, the internal 24 MHz oscillator or the internal 32 kHz low power oscillator. A programmable prescaler of 2, 4, 6, or 8 then divides the selected source.

**Figure 12-3. Timer Capture Block Diagram**



**Table 12-5. Timer Clock Configuration (TMRCLKCR) [0x31] [R/W]**

Bit #	7	6	5	4	3	2	1	0
Field	TCAPCLK Divider		TCAPCLK Select		ITMRCLK Divider		ITMRCLK Select	
Read/Write	R/W	R/W	R/W	R/W	R/W	R/W	R/W	R/W
Default	1	0	0	0	1	1	1	1

**Bit [7:6]: TCAPCLK Divider [1:0]**

TCAPCLK Divider controls the TCAPCLK divisor.

0 0 = Divider Value 2

0 1 = Divider Value 4

1 0 = Divider Value 6

1 1 = Divider Value 8

**Bit [5:4]: TCAPCLK Select**

The TCAPCLK Select field controls the source of the TCAPCLK.

0 0 = Internal 24 MHz Oscillator

0 1 = External Crystal Oscillator—external crystal oscillator on CLKIN and CLKOUT if the external crystal oscillator is enabled, CLKIN input if the external crystal oscillator is disabled (the XOSC Enable bit of the CLKIOCR Register is cleared—[Table 12-4](#).)

1 0 = Internal 32 kHz Oscillator

1 1 = TCAPCLK Disabled

**Note** The 1024  $\mu$ s interval timer is based on the assumption that TCAPCLK is running at 4 MHz. Changes in TCAPCLK frequency cause a corresponding change in the 1024  $\mu$ s interval timer frequency.

**Bit [3:2]: ITMRCLK Divider**

ITMRCLK Divider controls the ITMRCLK divisor.

0 0 = Divider value of 1

0 1 = Divider value of 2

1 0 = Divider value of 3

1 1 = Divider value of 4

**Bit [1:0]: ITMRCLK Select**

0 0 = Internal 24 MHz Oscillator

0 1 = External crystal oscillator—external crystal oscillator on CLKIN and CLKOUT if the external crystal oscillator is enabled, CLKIN input if the external crystal oscillator is disabled.

1 0 = Internal 32 kHz Oscillator

1 1 = TCAPCLK

**Note** Changing the source of TMRCLK requires both the source and destination clocks to be running. It is not possible to change the clock source away from TCAPCLK after that clock is stopped.

12.2.4 Internal Clock Trim

**Table 12-6. IOSC Trim (IOSCTR) [0x34] [R/W]**

Bit #	7	6	5	4	3	2	1	0
Field	ffset[2:0]			Gain[4:0]				
Read/Write	R/W	R/W	R/W	R/W	R/W	R/W	R/W	R/W
Default	0	0	0	D	D	D	D	D

The IOSC Calibrate Register is used to calibrate the internal oscillator. The reset value is undefined, but during boot the SROM writes a calibration value that is determined during manufacturing test. The 'D' indicates that the default value is trimmed to 24 MHz at 3.30V at power on.

**Bit [7:5]:** fffset [2:0]

This value is used to trim the frequency of the internal oscillator. These bits are not used in factory calibration and is zero. Setting each of these bits causes the appropriate fine offset in oscillator frequency.

ffset bit 0 = 7.5 kHz

ffset bit 1 = 15 kHz

ffset bit 2 = 30 kHz

**Bit [4:0]:** Gain [4:0]

The effective frequency change of the offset input is controlled through the gain input. A lower value of the gain setting increases the gain of the offset input. This value sets the size of each offset step for the internal oscillator. Nominal gain change (kHz/ffsetStep) at each bit, typical conditions (24 MHz operation):

Gain bit 0 = -1.5 kHz

Gain bit 1 = -3.0 kHz

Gain bit 2 = -6 kHz

Gain bit 3 = -12 kHz

Gain bit 4 = -24 kHz

12.2.5 External Clock Trim

**Table 12-7. XOSC Trim (XOSCTR) [0x35] [R/W]**

Bit #	7	6	5	4	3	2	1	0
Field	Reserved			XOSC XGM [2:0]			Reserved	Mode
Read/Write	-	-	-	R/W	R/W	R/W	-	R/W
Default	0	0	0	D	D	D	-	D

This register is used to calibrate the external crystal oscillator. The reset value is undefined, but during boot the SROM writes a calibration value that is determined during manufacturing test. This is the meaning of 'D' in the Default field.

**Bit [7:5]:** Reserved

**Bit [4:2]:** XOSC XGM [2:0]

Amplifier transconductance setting. The Xgm settings are recommended for resonators with frequencies of interest for the enCoRe II LV as below:

Resonator	XGM Setting	Worst Case R (Ohms)
6 MHz Crystal	001	403
12 MHz Crystal	011	201
Reserved	111	-
6 MHz Ceramic	001	70.4
12 MHz Ceramic	011	41

**Bit 1:** Reserved

**Bit 0:** Mode

0 = Oscillator Mode

1 = Fixed Maximum Bias Test Mode

12.2.6 LPOSC Trim

**Table 12-8. LPOSC Trim (LPOSCTR) [0x36] [R/W]**

Bit #	7	6	5	4	3	2	1	0
Field	32 kHz Low Power	Reserved	32 kHz Bias Trim [1:0]		32 kHz Freq Trim [3:0]			
Read/Write	R/W	–	R/W	R/W	R/W	R/W	R/W	R/W
Default	0	–	D	D	D	D	D	D

This register is used to calibrate the 32 kHz low speed oscillator. The reset value is undefined but during boot the SROM writes a calibration value that is determined during manufacturing test. This is the meaning of ‘D’ in the Default field. The trim value is adjusted vs. voltage as noted in [Table 12-2](#).

**Bit 7:** 32 kHz Low Power

0 = The 32 kHz low speed oscillator operates in normal mode.

1 = The 32 kHz low speed oscillator operates in a low power mode. The oscillator continues to function normally but with reduced accuracy.

**Bit 6:** Reserved

**Bit [5:4]:** 32 kHz Bias Trim [1:0]

These bits control the bias current of the low power oscillator.

0 0 = Mid bias

0 1 = High bias

1 0 = Reserved

1 1 = Reserved

**Note** Do not program the 32 kHz Bias Trim [1:0] field with the reserved 10b value as the oscillator does not oscillate at all corner conditions with this setting.

**Bit [3:0]:** 32 kHz Freq Trim [3:0]

These bits are used to trim the frequency of the low power oscillator.

**12.3 CPU Clock During Sleep Mode**

When the CPU enters sleep mode the CPUCLK Select (Bit 0, [Table 12-2](#)) is forced to the internal oscillator, and the oscillator is stopped. When the CPU comes out of sleep mode it runs on the internal oscillator. The internal oscillator recovery time is three clock cycles of the internal 32 kHz low power oscillator.

If the system requires the CPU to run off the external clock after waking from sleep mode, firmware needs to switch the clock source for the CPU. If the external clock source is the external oscillator and the oscillator is disabled, firmware needs to enable the external oscillator, wait for it to stabilize, and then change the clock source.

### 13. Reset

The microcontroller supports two types of resets: Power on Reset (POR) and Watchdog Reset (WDR). When reset is initiated, all registers are restored to their default states and all interrupts are disabled.

The occurrence of a reset is recorded in the System Status and Control Register (CPU\_SCR). Bits within this register record the occurrence of POR and WDR Reset respectively. The firmware interrogates these bits to determine the cause of a reset.

The microcontroller resumes execution from Flash address 0x0000 after a reset. The internal clocking mode is active after a reset, until changed by user firmware.

**Note** The CPU clock defaults to 3 MHz (internal 24 MHz oscillator divide-by-8 mode) at POR to guarantee operation at the low V<sub>CC</sub> that might be present during the supply ramp.

**Table 13-1. System Status and Control Register (CPU\_SCR) [0xFF] [R/W]**

Bit #	7	6	5	4	3	2	1	0
Field	GIES	Reserved	WDRS	PORS	Sleep	Reserved	Reserved	Stop
Read/Write	R	–	R/C <sup>[3]</sup>	R/C <sup>[3]</sup>	R/W	–	–	R/W
Default	0	0	0	1	0	1	0	0

The bits of the CPU\_SCR register are used to convey status and control of events for various functions of an enCoRe II LV device.

**Bit 7: GIES**

The Global Interrupt Enable Status bit is a read only status bit and its use is discouraged. The GIES bit is a legacy bit, which was used to provide the ability to read the GIE bit of the CPU\_F register. However, the CPU\_F register is now readable. When this bit is set, it indicates that the GIE bit in the CPU\_F register is also set which, in turn, indicates that the microprocessor services interrupts.

0 = Global interrupts disabled

1 = Global interrupt enabled

**Bit 6: Reserved**

**Bit 5: WDRS**

The WDRS bit is set by the CPU to indicate that a WDR event has occurred. The user can read this bit to determine the type of reset that has occurred. The user can clear but not set this bit.

0 = No WDR

1 = A WDR event has occurred

**Bit 4: PORS**

The PORS bit is set by the CPU to indicate that a POR event has occurred. The user can read this bit to determine the type of reset that has occurred. The user can clear but not set this bit.

0 = No POR

1 = A POR event has occurred. (Note that WDR events does not occur until this bit is cleared.)

**Bit 3: SLEEP**

Set by the user to enable CPU sleep state. CPU remains in sleep mode until any interrupt is pending. The Sleep bit is covered in more detail in the [Sleep Mode](#) section.

0 = Normal operation

1 = Sleep

**Bit [2:1]: Reserved**

**Bit 0: STOP**

This bit is set by the user to halt the CPU. The CPU remains halted until a reset (WDR, POR, or external reset) takes place. If an application wants to stop code execution until a reset, the preferred method is to use the HALT instruction rather than writing to this bit.

0 = Normal CPU operation

1 = CPU is halted (not recommended)

### 13.1 Power On Reset

POR occurs every time the power to the device is switched on. POR is released when the supply is typically 2.6V for the upward supply transition, with typically 50 mV of hysteresis during the power on transient. Bit 4 of the System Status and Control Register (CPU\_SCR) is set to record this event (the register contents are set to 00010000 by the POR). After a POR, the microprocessor is held off for approximately 20 ms for the V<sub>CC</sub> supply to stabilize before executing the first instruction at address 0x00 in Flash. If the V<sub>CC</sub> voltage drops below the POR downward supply trip point, POR is reasserted. The V<sub>CC</sub> supply needs to ramp linearly from 0 to V<sub>CC</sub> in less than 200 ms.

**Note** The PORS status bit is set at POR and is only cleared by the user; it cannot be set by firmware.

### 13.2 Watchdog Timer Reset

The user has the option to enable the WDT. The WDT is enabled by clearing the PORS bit. When the PORS bit is cleared, the

WDT cannot be disabled. The only exception to this is if a POR event takes place, which disables the WDT.

The sleep timer is used to generate the sleep time period and the watchdog time period. The sleep timer uses the internal 32 kHz low power oscillator system clock to produce the sleep time period. The user programs the sleep time period using the sleep timer bits of the OSC\_CR0 Register (Table 12-3). When the sleep time elapses (sleep timer overflows), an interrupt to the sleep timer Interrupt Vector is generated.

The watchdog timer period is automatically set to be three counts of the sleep timer overflow. This represents between two and three sleep intervals depending on the count in the sleep timer at the previous WDT clear. When this timer reaches three, a WDR is generated. The user either clears the WDT, or the WDT and the sleep timer. Whenever the user writes to the Reset WDT Register (RES\_WDT), the WDT is cleared. If the data written is the hex value 0x38, the sleep timer is also cleared at the same time.

**Table 13-2. Reset Watchdog Timer (RESWDT) [0xE3] [W]**

Bit #	7	6	5	4	3	2	1	0
Field	Reset Watchdog Timer [7:0]							
Read/Write	W	W	W	W	W	W	W	W
Default	0	0	0	0	0	0	0	0

Any write to this register clears the watchdog timer, a write of 0x38 also clears the sleep timer.

**Bit [7:0]:** Reset Watchdog Timer [7:0]

## 14. Sleep Mode

The CPU is put to sleep only by the firmware. This is accomplished by setting the Sleep bit in the System Status and Control Register (CPU\_SCR). This stops the CPU from executing instructions, and the CPU remains asleep until an interrupt is pending, or there is a reset event (either a Power on Reset or a Watchdog Timer Reset).

The Low Voltage Detection circuit (LVD) drops into fully functional power reduced states, and the latency for the LVD is increased. The actual latency is traded against power consumption by changing Sleep Duty Cycle field of the ECO\_TR Register.

The internal 32 kHz low speed oscillator remains running. Before entering suspend mode, firmware optionally configures the 32 kHz low speed oscillator to operate in a low power mode to help reduce the overall power consumption (using the 32 kHz low power bit, Table 12-8). This helps to save approximately 5 μA; however, the trade off is that the 32 kHz low speed oscillator is less accurate (-53.12% to +56.25% deviation).

All interrupts remain active. Only the occurrence of an interrupt wakes the part from sleep. The Stop bit in the System Status and Control Register (CPU\_SCR) is cleared for a part to resume out of sleep. The Global Interrupt Enable bit of the CPU Flags Register (CPU\_F) does not have any effect. Any unmasked interrupt wakes the system. As a result, any interrupt not

intended for waking is disabled through the Interrupt Mask Registers.

When the CPU enters sleep mode the CPUCLK Select (Bit 1, Table 12-2) is forced to the internal oscillator. The internal oscillator recovery time is three clock cycles of the internal 32 kHz low power oscillator. The internal 24 MHz oscillator restarts immediately on exiting sleep mode. If the external crystal oscillator is used, firmware needs to switch the clock source for the CPU.

Unlike the internal 24 MHz oscillator, the external oscillator is not automatically shut down during sleep. Systems that need the external oscillator disabled in sleep mode needs to disable the external oscillator before entering sleep mode. In systems where the CPU runs off the external oscillator, firmware needs to switch the CPU to the internal oscillator before disabling the external oscillator.

On exiting sleep mode, after the clock is stable and the delay time has expired, the instruction immediately following the sleep instruction is executed before the interrupt service routine (if enabled).

The sleep interrupt allows the microcontroller to wake up periodically and poll system components while maintaining very low average power consumption. The sleep interrupt is also used to provide periodic interrupts during non-sleep modes.

**Note**

3. C = Clear. This bit can only be cleared by the user and cannot be set by firmware.

### 14.1 Sleep Sequence

The SLEEP bit is an input into the sleep logic circuit. This circuit is designed to sequence the device into and out of the hardware sleep state. The hardware sequence to put the device to sleep is shown in Figure 14-1. and is defined as follows.

1. Firmware sets the SLEEP bit in the CPU\_SCR0 register. The Bus Request (BRQ) signal to the CPU is immediately asserted. This is a request by the system to halt CPU operation at an instruction boundary. The CPU samples BRQ on the positive edge of CPUCLK.
2. Due to the specific timing of the register write, the CPU issues a Bus Request Acknowledge (BRA) on the following positive edge of the CPU clock. The sleep logic waits for the following negative edge of the CPU clock and then asserts a system wide Power Down (PD) signal. In Figure 14-1. the CPU is halted and the system wide power down signal is asserted.
3. The system wide PD signal controls several major circuit blocks: the Flash memory module, the internal 24 MHz oscillator, the EFTB filter, and the bandgap voltage reference. These circuits transition into a zero power state. The only operational circuits on chip are the low power oscillator, the bandgap refresh circuit, and the supply voltage monitor (POR/LVD) circuit.

The external crystal oscillator on enCoRe II LV devices is not automatically powered down when the CPU enters the sleep state. Firmware must explicitly disable the external crystal oscillator to reduce power to levels specified.

#### 14.1.1 Low Power in Sleep Mode

To achieve the lowest possible power consumption during suspend or sleep, the following conditions are observed in addition to considerations for the sleep timer and external crystal oscillator:

- All GPIOs are set to outputs and driven low
- Clear P11CR[0], P10CR[0]
- Set P10CR[1]
- Make sure 32 KHz oscillator clock is not selected as clock source to ITMRCLK, TCAPCLK, and not even as clock output source onto P01\_CLKOUT pin.

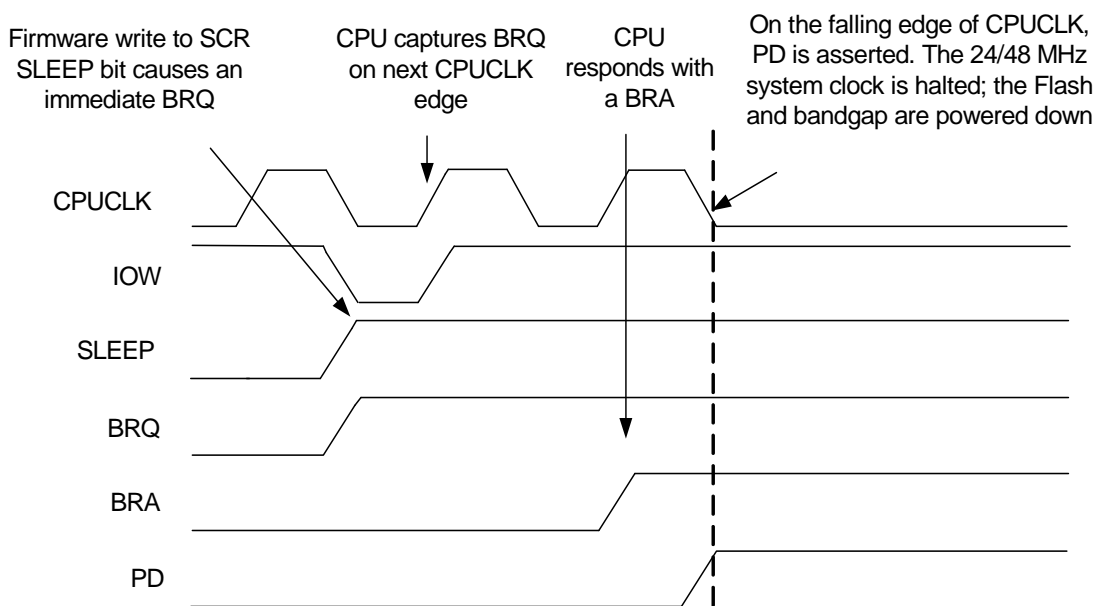
All the other blocks go to the power down mode automatically on suspend.

The following steps are user configurable and help in reducing the average suspend mode power consumption.

1. Configure the power supply monitor at a large regular intervals, control register bits are 1,EB[7:6] (power system sleep duty cycle PSSDC[1:0]).
2. Configure the low power oscillator into low power mode, control register bit is LOPSCCTR[7].

For low power considerations during sleep when external clock is used as the CPUCLK source, the clock source must be held low to avoid unintentional leakage current. If the clock is held high, then there may be a leakage through M8C. To avoid current consumption make sure ITMRCLK and TCPCLK are not sourced by either low power 32 KHz oscillator or 24 MHz crystal-less oscillator. Do not select 24 MHz or 32 KHz oscillator clocks on to the P01\_CLKOUT pin.

Figure 14-1. Sleep Timing





### 14.2 Wakeup Sequence

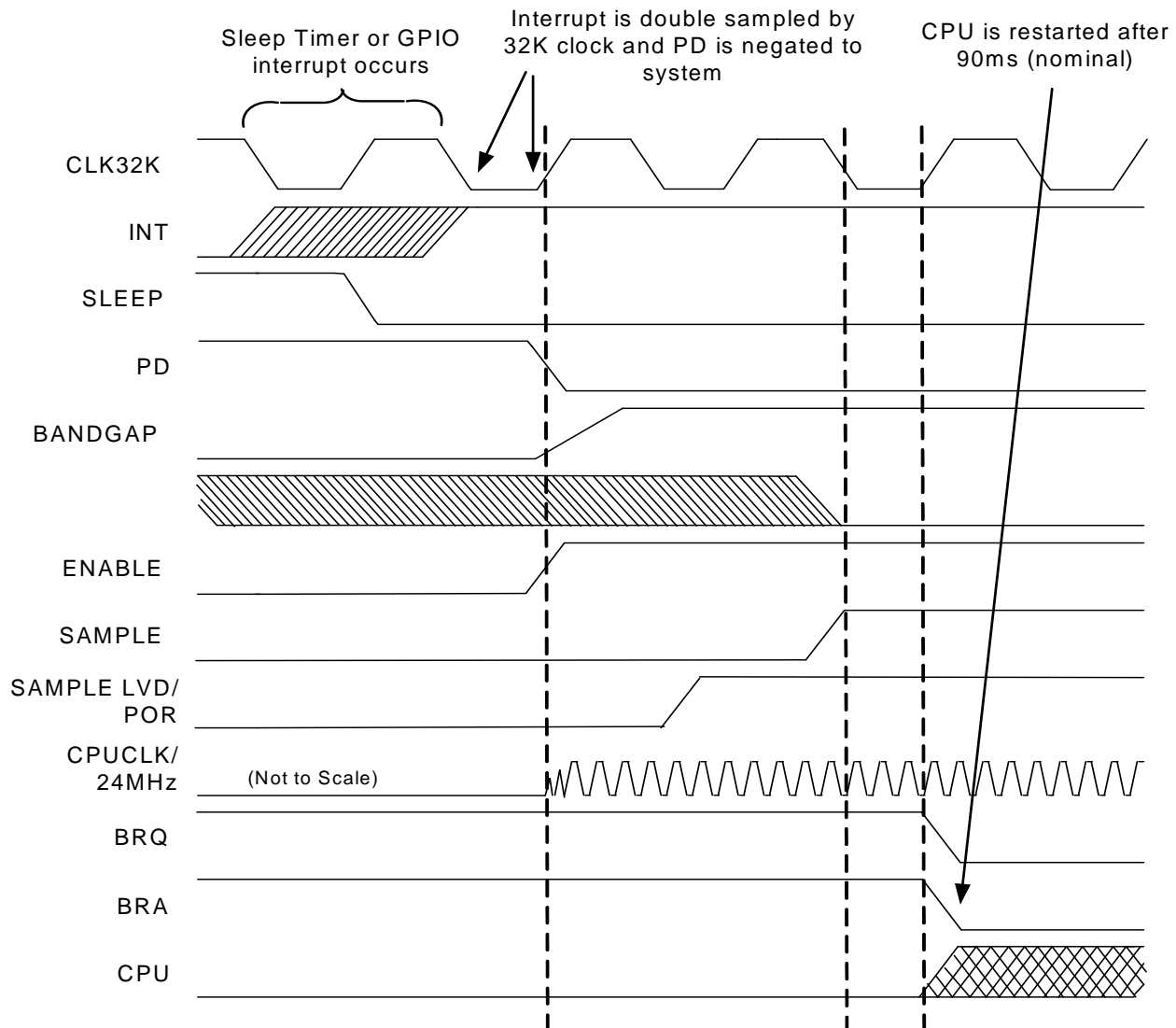
When asleep, the only event that wakes the system up is an interrupt. The global interrupt enable of the CPU flag register need not be set. Any unmasked interrupt wakes the system up. It is optional for the CPU to actually take the interrupt after the wakeup sequence. The wakeup sequence is synchronized to the 32 kHz clock for purposes of sequencing a startup delay, to allow the Flash memory module enough time to power up before the CPU asserts the first read access. Another reason for the delay is to allow the oscillator, Bandgap, and LVD and POR circuits time to settle before actually being used in the system. As shown in Figure 14-2., the wakeup sequence is as follows:

1. The wakeup interrupt occurs and is synchronized by the negative edge of the 32 kHz clock.
2. At the following positive edge of the 32 kHz clock, the system wide PD signal is negated. The Flash memory module,

internal oscillator, EFTB, and bandgap circuit are all powered up to a normal operating state.

3. At the following positive edge of the 32 kHz clock, the current values for the precision POR and LVD have settled and are sampled.
4. At the following negative edge of the 32 kHz clock (after about 15  $\mu$ s nominal), the BRQ signal is negated by the sleep logic circuit. On the following CPUCLK, BRA is negated by the CPU and instruction execution resumes. Note that in Figure 14-2. fixed function blocks, such as Flash, internal oscillator, EFTB, and bandgap, have about 15  $\mu$ s start up. The wakeup times (interrupt to CPU operational) range from 75  $\mu$ s to 105  $\mu$ s.

Figure 14-2. Wakeup Timing



## 15. Low Voltage Detect Control

**Table 15-1. Low Voltage Control Register (LVDCR) [0x1E3] [R/W]**

Bit #	7	6	5	4	3	2	1	0
Field	Reserved		PORLEV[1:0]		Reserved	VM[2:0]		
Read/Write	–	–	R/W	R/W	–	R/W	R/W	R/W
Default	0	0	0	0	0	0	0	0

This register controls the configuration of the Power on Reset and Low Voltage Detection circuit. This register is accessed only in the second bank of IO space. This requires setting the XIO bit in the CPU flags register.

**Bit [7:6]:** Reserved

**Bit [5:4]:** PORLEV[1:0]

This field controls the level below which the precision power on-reset (PPOR) detector generates a reset.

0 0 = 2.7V Range (trip near 2.6V)

0 1 = 3V Range (trip near 2.9V)

1 0 = Reserved

1 1 = PPOR does not generate a reset, but values read from the Voltage Monitor Comparators Register ([Table 15-2](#)) give the internal PPOR comparator state with trip point set to the 3V range setting.

**Bit 3:** Reserved

**Bit [2:0]:** VM[2:0]

This field controls the level below which the low-voltage-detect trips—possibly generating an interrupt and the level at which Flash is enabled for operation.

**Note** This register exists in the second bank of IO space. This requires setting the XIO bit in the CPU flags register.

VM[2:0]	LVD Trip Point (V)		
	Min	Max	Typical
000	2.69	2.72	2.7
001	2.90	2.94	2.92
010	3.00	3.04	3.02
011	3.10	3.15	3.13
100	Reserved		
101	Reserved		
110	Reserved		
111	Reserved		

## 15.1 POR Compare State

**Table 15-2. Voltage Monitor Comparators Register (VLTCMP) [0x1E4] [R]**

Bit #	7	6	5	4	3	2	1	0
Field	Reserved						LVD	PPOR
Read/Write	–	–	–	–	–	–	R	R
Default	0	0	0	0	0	0	0	0

This read-only register allows reading the current state of the LVD and PPOR comparators.

**Bit [7:2]:** Reserved

**Bit 1:** LVD

This bit is set to indicate that the LVD comparator has tripped, indicating that the supply voltage has gone below the trip point set by VM[2:0] (See [Table 15-1](#)).

0 = No low-voltage-detect event

1 = A low-voltage-detect has tripped

**Bit 0:** PPOR

This bit is set to indicate that the PPOR comparator has tripped, indicating that the supply voltage is below the trip point set by PORLEV[1:0].

0 = No precision-power-on-reset event

1 = A precision-power-on-reset event has occurred

**Note** This register exists in the second bank of IO space. This requires setting the XIO bit in the CPU flags register.

## 15.2 ECO Trim Register

**Table 15-3. ECO (ECO\_TR) [0x1EB] [R/W]**

Bit #	7	6	5	4	3	2	1	0
Field	Sleep Duty Cycle [1:0]		Reserved					
Read/Write	R/W	R/W	–	–	–	–	–	–
Default	0	0	0	0	0	0	0	0

This register controls the ratios (in numbers of 32 kHz clock periods) of “on” time versus “off” time for LVD and POR detection circuit.

**Bit [7:6]:** Sleep Duty Cycle [1:0]

0 0 = 1/128 periods of the Internal 32 kHz low speed oscillator.

0 1 = 1/512 periods of the Internal 32 kHz low speed oscillator.

1 0 = 1/32 periods of the Internal 32 kHz low speed oscillator.

1 1 = 1/8 periods of the Internal 32 kHz low speed oscillator.

**Note** This register is only accessed in the second bank of IO space. This requires setting the XIO bit in the CPU flags register.

## 16. General Purpose IO Ports

### 16.1 Port Data Registers

#### 16.1.1 P0 Data

**Table 16-1. P0 Data Register (P0DATA)[0x00] [R/W]**

Bit #	7	6	5	4	3	2	1	0
Field	P0.7	P0.6/TIO1	P0.5/TIO0	P0.4/INT2	P0.3/INT1	P0.2/INT0	P0.1/CLKOUT	P0.0/CLKIN
Read/Write	R/W	R/W	R/W	R/W	R/W	R/W	R/W	R/W
Default	0	0	0	0	0	0	0	0

This register contains the data for Port 0. Writing to this register sets the bit values to be output on output enabled pins. Reading from this register returns the current state of the Port 0 pins.

**Bit 7:** P0.7 Data

**Bit [6:5]:** P0.6–P0.5 Data/TIO1 and TIO0

Beside their use as the P0.6–P0.5 GPIOs, these pins are also used for alternate functions as the Capture Timer input or timer output pins (TIO1 and TIO0). To configure the P0.5 and P0.6 pins, refer to the P0.5/TIO0–P0.6/TIO1 Configuration Register (Table 16-9).

**Bit [4:2]:** P0.4–P0.2 Data/INT2–INT0

Beside their use as the P0.4–P0.2 GPIOs, these pins are also used for the alternate functions as the interrupt pins (INT0–INT2). To configure the P0.4–P0.2 pins, refer to the P0.2/INT0–P0.4/INT2 Configuration Register (Table 16-8).

**Bit 1:** P0.1/CLKOUT

Beside its use as the P0.1 GPIO, this pin is also used for the alternate function as the CLK OUT pin. To configure the P0.1 pin, refer to the P0.1/CLKOUT Configuration Register (Table 16-7).

**Bit 0:** P0.0/CLKIN

Beside its use as the P0.0 GPIO, this pin is also used for the alternate function as the CLKIN pin. To configure the P0.0 pin, refer to the P0.0/CLKIN Configuration Register (Table 16-6).

#### 16.1.2 P1 Data

**Table 16-2. P1 Data Register (P1DATA) [0x01] [R/W]**

Bit #	7	6	5	4	3	2	1	0
Field	P1.7	P1.6/SMISO	P1.5/SMOSI	P1.4/SCLK	P1.3/SSEL	P1.2	P1.1	P1.0
Read/Write	R/W	R/W	R/W	R/W	R/W	R/W	R/W	R/W
Default	0	0	0	0	0	0	0	0

This register contains the data for Port 1. Writing to this register sets the bit values to be output on output enabled pins. Reading from this register returns the current state of the Port 1 pins.

**Bit 7:** P1.7 Data

**Bit [6:3]:** P1.6–P1.3 Data/SPI Pins (SMISO, SMOSI, SCLK, SSEL)

Beside their use as the P1.6–P1.3 GPIOs, these pins are also used for the alternate function as the SPI interface pins. To configure the P1.6–P1.3 pins, refer to the P1.3–P1.6 Configuration Register (Table 16-14).

**Bit [2:0]:** P1.2–P1.0

16.1.3 P2 Data

**Table 16-3. P2 Data Register (P2DATA) [0x02] [R/W]**

Bit #	7	6	5	4	3	2	1	0
Field	P2.7–P2.2						P2.1–P2.0	
Read/Write	R/W	R/W	R/W	R/W	R/W	R/W	R/W	R/W
Default	0	0	0	0	0	0	0	0

This register contains the data for Port 2. Writing to this register sets the bit values to be output on output enabled pins. Reading from this register returns the current state of the Port 2 pins.

**Bit [7:2]:** P2 Data [7:2]

**Bit [1:0]:** P2 Data [1:0]

16.1.4 P3 Data

**Table 16-4. P3 Data Register (P3DATA) [0x03] [R/W]**

Bit #	7	6	5	4	3	2	1	0
Field	P3.7–P3.2						P3.1–P3.0	
Read/Write	R/W	R/W	R/W	R/W	R/W	R/W	R/W	R/W
Default	0	0	0	0	0	0	0	0

This register contains the data for Port 3. Writing to this register sets the bit values to be output on output enabled pins. Reading from this register returns the current state of the Port 3 pins.

**Bit [7:2]:** P3 Data [7:2]

**Bit [1:0]:** P3 Data [1:0]

16.1.5 P4 Data

**Table 16-5. P4 Data Register (P4DATA) [0x04] [R/W]**

Bit #	7	6	5	4	3	2	1	0
Field	Reserved				P4.3–P4.0			
Read/Write	–	–	–	–	R/W	R/W	R/W	R/W
Default	0	0	0	0	0	0	0	0

This register contains the data for Port 4. Writing to this register sets the bit values to be output on output enabled pins. Reading from this register returns the current state of the Port 2 pins.

**Bit [7:4]:** Reserved

**Bit [3:0]:** P4 Data [3:0]

P4.3–P4.0 only exist in the CY7C601xx.

**16.2 GPIO Port Configuration**

All GPIO configuration registers have common configuration controls. By default all GPIOs are configured as inputs. To prevent the inputs from floating, pull up resistors are enabled. Firmware configures each of the GPIOs before use. The following are bit definitions of the GPIO configuration registers.

16.2.1 Int Enable

When set, the Int Enable bit allows the GPIO to generate interrupts. Interrupt generate occurs regardless of whether the pin is configured for input or output. All interrupts are edge sensitive. However, for interrupts that are shared by multiple sources (Ports 2, 3, and 4), all inputs are deasserted before a new interrupt occurs.

When clear, the corresponding interrupt is disabled on the pin.

It is possible to configure GPIOs as outputs, enable the interrupt on the pin, and then generate the interrupt by driving the appropriate pin state. This is useful in test and may find value in applications as well.

16.2.2 Int Act Low

When clear, the corresponding interrupt is active HIGH. When set, the interrupt is active LOW. For P0.2–P0.4 Int Act Low makes interrupts active on the rising edge. Int Act Low set makes interrupts active on the falling edge.

16.2.3 TTL Thresh

When set, the input has TTL threshold. When clear, the input has standard CMOS threshold.

**Note** The GPIOs default to CMOS threshold. User’s firmware needs to configure the threshold to TTL mode if necessary.

16.2.4 High Sink

When set, the output sinks up to 50 mA.

When clear, the output sinks up to 8 mA.

On the CY7C601xx, only the P3.7, P2.7, P0.1, and P0.0 have 50 mA sink drive capability. Other pins have 8 mA sink drive capability.

On the CY7C602xx, only the P1.7–P1.3 have 50 mA sink drive capability. Other pins have 8 mA sink drive capability.

16.2.5 Open Drain

When set, the output on the pin is determined by the Port Data Register. If the corresponding bit in the Port Data Register is set, the pin is in high impedance state; if it is clear, the pin is driven LOW.

When clear, the output is driven LOW or HIGH.

16.2.6 Pull Up Enable

When set the pin has a 7K pull up to V<sub>DD</sub>.

When clear, the pull up is disabled.

16.2.7 Output Enable

When set, the output driver of the pin is enabled.

When clear, the output driver of the pin is disabled.

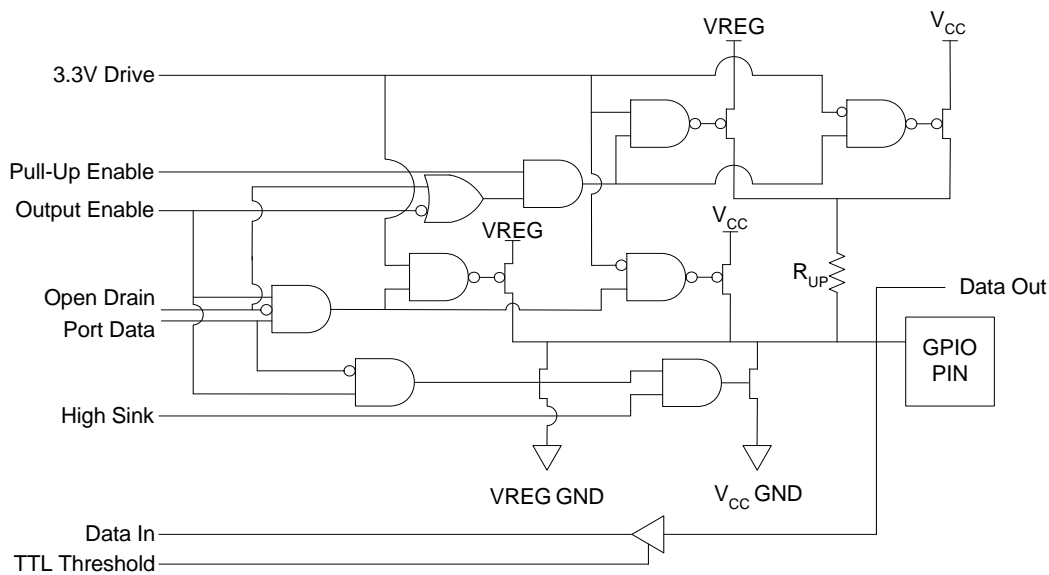
For pins with shared functions there are some special cases.

P0.0(CLKIN) and P0.1(CLKOUT) are not output enabled when the crystal oscillator is enabled. Output enables for these pins are overridden by XOSC Enable.

16.2.8 SPI Use

The P1.3(SSEL), P1.4(SCLK), P1.5(SMOSI), and P1.6(SMISO) pins are used for their dedicated functions or for GPIO. To enable the pin for GPIO, clear the corresponding SPI Use bit. The SPI function controls the output enable for its dedicated function pins when their GPIO enable bit is clear.

Figure 16-1. GPIO Block Diagram



16.2.9 P0.0/CLKIN Configuration

Table 16-6. P0.0/CLKIN Configuration (P00CR) [0x05] [R/W]

Bit #	7	6	5	4	3	2	1	0
Field	Reserved	Int Enable	Int Act Low	TTL Thresh	High Sink	Open Drain	Pull up Enable	Output Enable
Read/Write	–	R/W	R/W	R/W	R/W	R/W	R/W	R/W
Default	0	0	0	0	0	0	0	0

This pin is shared between the P0.0 GPIO use and the CLKIN pin for the external crystal oscillator. When the external oscillator is enabled the settings of this register are ignored.

The alternate function of the pin as the CLKIN is only available in the CY7C601xx. When the external oscillator is enabled (the XOSC Enable bit of the CLKIOCR Register is set—Table 12-4), the GPIO function of the pin is disabled.

The 50 mA sink drive capability is only available in the CY7C601xx. In the CY7C602xx, only 8 mA sink drive capability is available on this pin regardless of the setting of the High Sink bit.

16.2.10 P0.1/CLKOUT Configuration

**Table 16-7. P0.1/CLKOUT Configuration (P01CR) [0x06] R/W**

Bit #	7	6	5	4	3	2	1	0
Field	CLK Output	Int Enable	Int Act Low	TTL Thresh	High Sink	Open Drain	Pull up Enable	Output Enable
Read/Write	R/W	R/W	R/W	R/W	R/W	R/W	R/W	R/W
Default	0	0	0	0	0	0	0	0

This pin is shared between the P0.1 GPIO use and the CLKOUT pin for the external crystal oscillator. When the external oscillator is enabled the settings of this register are ignored. When CLK output is set, the internally selected clock is sent out onto P0.1CLKOUT pin.

The alternate function of the pin as the CLKOUT is only available in the CY7C601xx. When the external oscillator is enabled (the XOSC Enable bit of the CLKIOCR Register is set—[Table 12-4](#)), the GPIO function of the pin is disabled.

The 50 mA sink drive capability is only available in the CY7C601xx. In the CY7C602xx, only 8 mA sink drive capability is available on this pin regardless of the setting of the High Sink bit.

**Bit 7: CLK Output**

0 = The clock output is disabled.

1 = The clock selected by the CLK Select field (Bit [1:0] of the CLKIOCR Register—[Table 12-4](#)) is driven out to the pin.

16.2.11 P0.2/INT0–P0.4/INT2 Configuration

**Table 16-8. P0.2/INT0–P0.4/INT2 Configuration (P02CR–P04CR) [0x07–0x09] R/W**

Bit #	7	6	5	4	3	2	1	0
Field	Reserved		Int Act Low	TTL Thresh	Reserved	Open Drain	Pull up Enable	Output Enable
Read/Write	—	—	R/W	R/W	—	R/W	R/W	R/W
Default	0	0	0	0	0	0	0	0

These registers control the operation of pins P0.2–P0.4 respectively. These pins are shared between the P0.2–P0.4 GPIOs and the INT0–INT2. The INT0–INT2 interrupts are different from all other GPIO interrupts. These pins are connected directly to the interrupt controller to provide three edge-sensitive interrupts with independent interrupt vectors. These interrupts occur on a rising edge when Int Act Low is clear and on a falling edge when Int Act Low is set. These pins are enabled as interrupt sources in the interrupt controller registers ([Table 19-8](#) and [Table 19-6](#)).

To use these pins as interrupt inputs, configure them as inputs by clearing the corresponding Output Enable. If the INT0–INT2 pins are configured as outputs with interrupts enabled, firmware generates an interrupt by writing the appropriate value to the P0.2, P0.3, and P0.4 data bits in the P0 Data Register.

Regardless of whether the pins are used as Interrupt or GPIO pins the Int Enable, Int Act Low, TTL Threshold, Open Drain, and Pull up Enable bits control the behavior of the pin.

The P0.2/INT0–P0.4/INT2 pins are individually configured with the P02CR (0x07), P03CR (0x08), and P04CR (0x09) respectively.

**Note** Changing the state of the Int Act Low bit generates an unintentional interrupt. When configuring these interrupt sources, follow this procedure:

1. Disable interrupt source
2. Configure interrupt source
3. Clear any pending interrupts from the source
4. Enable interrupt source

16.2.12 P0.5/TIO0–P0.6/TIO1 Configuration

**Table 16-9. P0.5/TIO0–P0.6/TIO1 Configuration (P05CR–P06CR) [0x0A–0x0B] [R/W]**

Bit #	7	6	5	4	3	2	1	0
Field	TIO Output	Int Enable	Int Act Low	TTL Thresh	Reserved	Open Drain	Pull up Enable	Output Enable
Read/Write	R/W	R/W	R/W	R/W	–	R/W	R/W	R/W
Default	0	0	0	0	0	0	0	0

These registers control the operation of pins P0.5 through P0.6, respectively.

P0.5 and P0.6 are shared with TIO0 and TIO1 respectively. To use these pins as capture timer inputs, configure them as inputs by clearing the corresponding Output Enable. To use TIO0 and TIO1 as timer outputs, set the TIOx Output and Output Enable bits. If these pins are configured as outputs and the TIO Output bit is clear, firmware controls the TIO0 and TIO1 inputs by writing the value to the P0.5 and P0.6 data bits in the P0 Data Register.

Regardless of whether either pin is used as a TIO or GPIO pin the Int Enable, Int Act Low, TTL Threshold, Open Drain, and Pull up Enable control the behavior of the pin.

TIO0(P0.5) when enabled outputs a positive pulse from the 1024 μs interval timer. This is the same signal that is used internally to generate the 1024 μs timer interrupt. This signal is not gated by the interrupt enable state. The pulse is active for one cycle of the capture timer clock.

TIO1(P0.6) when enabled outputs a positive pulse from the programmable interval timer. This is the same signal that is used internally to generate the programmable timer interval interrupt. This signal is not gated by the interrupt enable state. The pulse is active for one cycle of the interval timer clock.

The P0.5/TIO0 and P0.6/TIO1 pins are individually configured with the P05CR (0x0A) and P06CR (0x0B), respectively.

16.2.13 P0.7 Configuration

**Table 16-10. P0.7 Configuration (P07CR) [0x0C] [R/W]**

Bit #	7	6	5	4	3	2	1	0
Field	Reserved	Int Enable	Int Act Low	TTL Thresh	Reserved	Open Drain	Pull up Enable	Output Enable
Read/Write	–	R/W	R/W	R/W	–	R/W	R/W	R/W
Default	0	0	0	0	0	0	0	0

This register controls the operation of pin P0.7.

16.2.14 P1.0 Configuration

**Table 16-11. P1.0 Configuration (P10CR) [0x0D] [R/W]**

Bit #	7	6	5	4	3	2	1	0
Field	Reserved	Int Enable	Int Act Low	Reserved			P1.0 and P1.1 Pull Up Enable	Output Enable
Read/Write	R/W	R/W	R/W	–	–	–	–	R/W
Default	0	0	0	0	0	0	0	0

This register controls the operation of the P1.0 pin.

**Bit1:** P1.0 and P1.1 Pull Up Enable

0 = Disable the P1.0 and P1.1 pull up resistors.

1 = Enable the internal pull up resistors for both the P1.0 and P1.1. Each of the P1.0 and P1.1 pins is pulled up with R<sub>UP1</sub> (see [DC Characteristics](#) on page 59).

**Note** There is no 2 mA sourcing capability on this pin. The pin can only sink 5 mA at V<sub>OL3</sub> (see [DC Characteristics](#) on page 59) The P1.0 is an open drain only output. It actively drives a signal low, but cannot actively drive a signal high.

If this pin is used as a general purpose output, it draws current. It is therefore configured as an input to reduce current draw.



16.2.15 P1.1 Configuration

**Table 16-12. P1.1 Configuration (P11CR) [0x0E] [R/W]**

Bit #	7	6	5	4	3	2	1	0
Field	Reserved	Int Enable	Int Act Low	Reserved		Open Drain	Reserved	Output Enable
Read/Write	–	R/W	R/W	–	–	R/W	–	R/W
Default	0	0	0	0	0	0	0	0

This register controls the operation of the P1.1 pin.

The pull up resistor on this pin is enabled by the P10CR Register.

**Note** There is no 2 mA sourcing capability on this pin. The pin can only sink 5 mA at  $V_{OL3}$  (see [DC Characteristics](#) on page 59) If this pin is used as a general purpose output, it draws current. It is, therefore, configured as an input to reduce current draw.

16.2.16 P1.2 Configuration

**Table 16-13. P1.2 Configuration (P12CR) [0x0F] [R/W]**

Bit #	7	6	5	4	3	2	1	0
Field	CLK Output	Int Enable	Int Act Low	TTL Threshold	Reserved	Open Drain	Pull up Enable	Output Enable
Read/Write	R/W	R/W	R/W	R/W	–	R/W	R/W	R/W
Default	0	0	0	0	0	0	0	0

This register controls the operation of the P1.2.

**Bit 7: CLK Output**

0 = The internally selected clock is not sent out onto P1.2 pin.

1 = This CLK Output is used to observe connected external crystal oscillator clock connected in CY7C601xx. When CLK Output is set, the internally selected clock is sent out onto P1.2 pin.

**Note:** [Table 12-4](#) on page 25 is used to select the external or internal clock in enCoRe II devices

16.2.17 P1.3 Configuration (SSEL)

**Table 16-14. P1.3 Configuration (P13CR) [0x10] [R/W]**

Bit #	7	6	5	4	3	2	1	0
Field	Reserved	Int Enable	Int Act Low	Reserved	High Sink	Open Drain	Pull Up Enable	Output Enable
Read/Write	–	R/W	R/W	–	R/W	R/W	R/W	R/W
Default	0	0	0	0	0	0	0	0

This register controls the operation of the P1.3 pin. This register exists in all enCoRe II LVparts.

The P1.3 GPIO's threshold is always set to TTL.

When the SPI hardware is enabled or disabled, the pin is controlled by the Output Enable bit and the corresponding bit in the P1 data register.

Regardless of whether the pin is used as an SPI or GPIO pin the Int Enable, Int act Low, High Sink, Open Drain, and Pull Up Enable control the behavior of the pin.

### 16.2.18 P1.4–P1.6 Configuration (SCLK, SMOSI, SMISO)

**Table 16-15. P1.4–P1.6 Configuration (P14CR–P16CR) [0x11–0x13] [R/W]**

Bit #	7	6	5	4	3	2	1	0
Field	SPI Use	Int Enable	Int Act Low	Reserved	High Sink	Open Drain	Pull Up Enable	Output Enable
Read/Write	R/W	R/W	R/W	–	R/W	R/W	R/W	R/W
Default	0	0	0	0	0	0	0	0

These registers control the operation of pins P1.4–P1.6, respectively. These registers exist in all enCoRe II LV parts.

**Bit 7: SPI Use**

0 = Disable the SPI alternate function. The pin is used as a GPIO

1 = Enable the SPI function. The SPI circuitry controls the output of the pin

The P1.4–P1.6 GPIO's threshold is always set to TTL.

When the SPI hardware is enabled, pins that are configured as SPI Use have their output enable and output state controlled by the SPI circuitry. When the SPI hardware is disabled or a pin has its SPI Use bit clear, the pin is controlled by the Output Enable bit and the corresponding bit in the P1 data register.

Regardless of whether any pin is used as an SPI or GPIO pin the Int Enable, Int act Low, High Sink, Open Drain, and Pull up Enable control the behavior of the pin.

**Note for Comm Modes 01 or 10 (SPI Master or SPI Slave, see Table 17-2 on page 45)**

When configured for SPI (SPI Use = 1 and Comm Modes [1:0] = SPI Master or SPI Slave mode), the input and output direction of pins P1.5, and P1.6 is set automatically by the SPI logic. However, pin P1.4's input and output direction is NOT automatically set; it must be explicitly set by firmware. For SPI Master mode, pin P1.4 must be configured as an output; for SPI Slave mode, pin P1.4 must be configured as an input.

### 16.2.19 P1.7 Configuration

**Table 16-16. P1.7 Configuration (P17CR) [0x14] [R/W]**

Bit #	7	6	5	4	3	2	1	0
Field	Reserved	Int Enable	Int Act Low	Reserved	High Sink	Open Drain	Pull Up Enable	Output Enable
Read/Write	–	R/W	R/W	–	R/W	R/W	R/W	R/W
Default	0	0	0	0	0	0	0	0

This register controls the operation of pin P1.7.

The 50 mA sink drive capability is only available in CY7C602xx. In CY7C601xx, only 8 mA sink drive capability is available on this pin regardless of the setting of the High Sink bit.

The P1.7 GPIO's threshold is always set to TTL.

### 16.2.20 P2 Configuration

**Table 16-17. P2 Configuration (P2CR) [0x15] [R/W]**

Bit #	7	6	5	4	3	2	1	0
Field	Reserved	Int Enable	Int Act Low	TTL Thresh	High Sink	Open Drain	Pull Up Enable	Output Enable
Read/Write	–	R/W	R/W	R/W	R/W	R/W	R/W	R/W
Default	0	0	0	0	0	0	0	0

In CY7C602xx, this register controls the operation of pins P2.0–P2.1. In CY7C601xx, this register controls the operation of pins P2.0–P2.7.

The 50 mA sink drive capability is only available on pin P2.7 and only on CY7C601xx. In CY7C602xx, only 8 mA sink drive capability is available on this pin regardless of the setting of the High Sink bit.

16.2.21 P3 Configuration

**Table 16-18. P3 Configuration (P3CR) [0x16] [R/W]**

Bit #	7	6	5	4	3	2	1	0
Field	Reserved	Int Enable	Int Act Low	TTL Thresh	High Sink	Open Drain	Pull Up Enable	Output Enable
Read/Write	–	R/W	R/W	R/W	R/W	R/W	R/W	R/W
Default	0	0	0	0	0	0	0	0

In CY7C602xx, this register controls the operation of pins P3.0–P3.1. In CY7C601xx, this register controls the operation of pins P3.0–P3.7.

The 50 mA sink drive capability is only available on pin P3.7 and only on CY7C601xx. In CY7C602xx, only 8 mA sink drive capability is available on this pin regardless of the setting of the High Sink bit.

16.2.22 P4 Configuration

**Table 16-19. P4 Configuration (P4CR) [0x17] [R/W]**

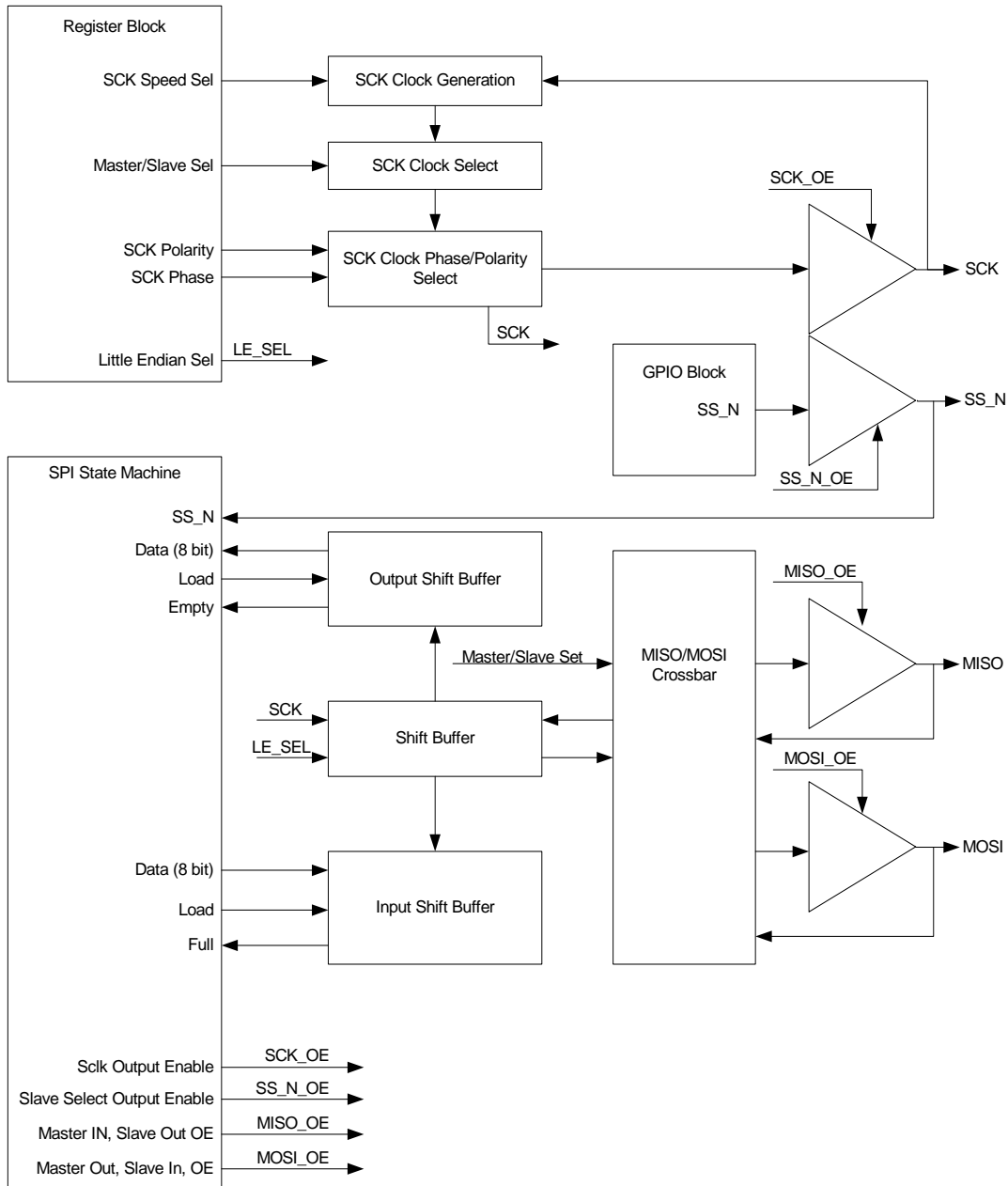
Bit #	7	6	5	4	3	2	1	0
Field	Reserved	Int Enable	Int Act Low	TTL Thresh	High Sink	Open Drain	Pull Up Enable	Output Enable
Read/Write	–	R/W	R/W	R/W	R/W	R/W	R/W	R/W
Default	0	0	0	0	0	0	0	0

This register exists only in CY7C601xx. This register controls the operation of pins P4.0–P4.3.

## 17. Serial Peripheral Interface (SPI)

The SPI Master and Slave Interface core logic runs on the SPI clock domain. The SPI clock is a divider off of the CPUCLK when in Master Mode. SPI is a four pin serial interface comprised of a clock, an enable, and two data pins.

Figure 17-1. SPI Block Diagram



## 17.1 SPI Data Register

**Table 17-1. SPI Data Register (SPIDATA) [0x3C] [R/W]**

Bit #	7	6	5	4	3	2	1	0
Field	SPIData[7:0]							
Read/Write	R/W	R/W	R/W	R/W	R/W	R/W	R/W	R/W
Default	0	0	0	0	0	0	0	0

When read, this register returns the contents of the receive buffer. When written, it loads the transmit holding register.

**Bit [7:0]:** SPI Data [7:0]

When an interrupt occurs to indicate to firmware that a byte of receive data is available or the transmitter holding register is empty, firmware has seven SPI clocks to manage the buffers—to empty the receiver buffer or to refill the transmit holding register. Failure to meet this timing requirement results in incorrect data transfer.

## 17.2 SPI Configure Register

**Table 17-2. SPI Configure Register (SPICR) [0x3D] [R/W]**

Bit #	7	6	5	4	3	2	1	0
Field	Swap	LSB First	Comm Mode		CPOL	CPHA	SCLK Select	
Read/Write	R/W	R/W	R/W	R/W	R/W	R/W	R/W	R/W
Default	0	0	0	0	0	0	0	0

**Bit 7:** Swap

0 = Swap function disabled

1 = The SPI block swaps its use of SMOSI and SMISO. Among other things, this is useful to implement single wire communications similar to SPI.

**Bit 6:** LSB First

0 = The SPI transmits and receives the MSB (Most Significant Bit) first.

1 = The SPI transmits and receives the LSB (Least Significant Bit) first.

**Bit [5:4]:** Comm Mode [1:0]

0 0: All SPI communication disabled

0 1: SPI master mode

1 0: SPI slave mode

1 1: Reserved

**Bit 3:** CPOL

This bit controls the SPI clock (SCLK) idle polarity.

0 = SCLK idles low

1 = SCLK idles high

**Bit 2:** CPHA

The Clock Phase bit controls the phase of the clock on which data is sampled. [Table 17-3](#) shows the timing for various combinations of LSB First, CPOL, and CPHA.

**Bit [1:0]:** SCLK Select

This field selects the speed of the master SCLK. When in master mode, SCLK is generated by dividing the base CPUCLK

**Important Note for Comm Modes 01b or 10b (SPI Master or SPI Slave)**

When configured for SPI, (SPI Use = 1 – [Table 16-15](#)), the input and output direction of pins P1.3, P1.5, and P1.6 is set automatically by the SPI logic. However, pin P1.4's input and output direction is NOT automatically set; it must be explicitly set by firmware. For SPI Master mode, pin P1.4 is configured as an output; for SPI Slave mode, pin P1.4 is configured as an input.

Table 17-3. SPI Mode Timing vs. LSB First, CPOL, and CPHA

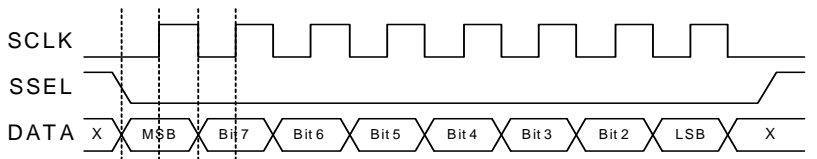
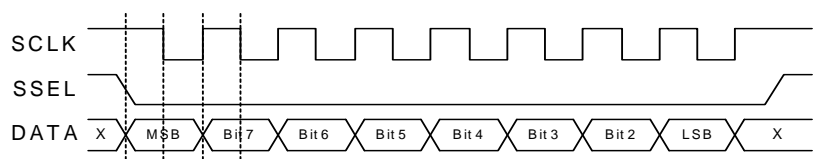
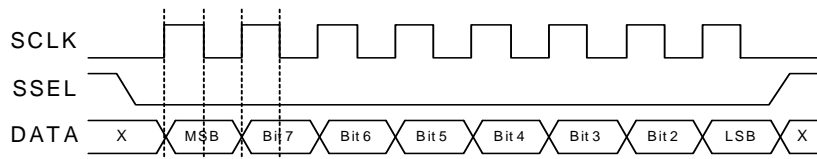
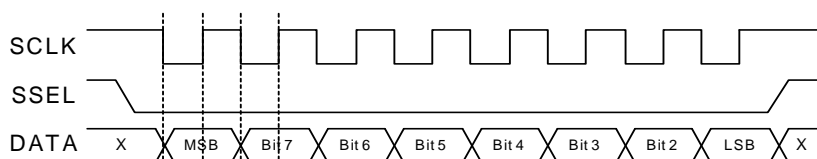
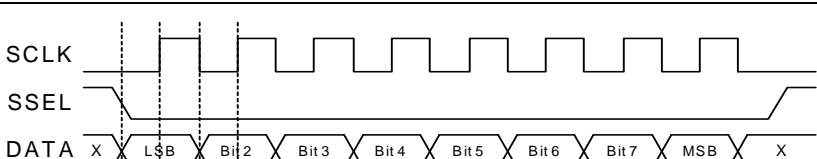
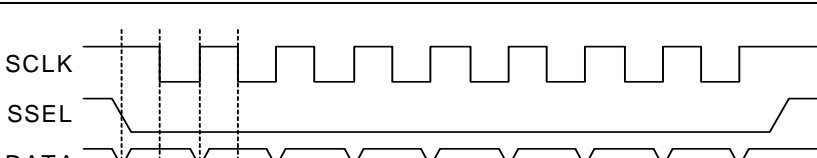
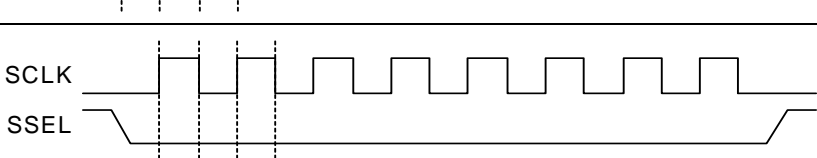
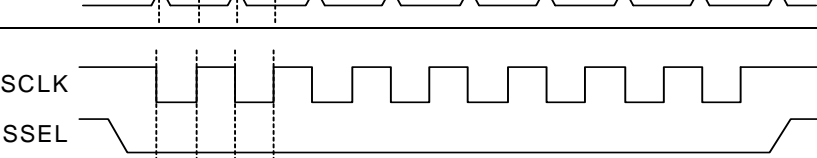
LSB First	CPHA	CPOL	Diagram
0	0	0	
0	0	1	
0	1	0	
0	1	1	
1	0	0	
1	0	1	
1	1	0	
1	1	1	

Table 17-4. SPI SCLK Frequency

SCLK Select	CPUCLK Divisor	SCLK Frequency when CPUCLK = 12 MHz
00	6	2 MHz
01	12	1 MHz
10	48	250 kHz
11	96	125 kHz

17.3 SPI Interface Pins

The SPI interface uses the P1.3–P1.6 pins. These pins are configured using the P1.3 and P1.4–P1.6 configuration.

18. Timer Registers

All timer functions of the enCoRe II LV are provided by a single timer block. The timer block is asynchronous from the CPU clock. The 16-bit free running counter is used as the time base for timer captures and also as a general time base by software.

18.1 Registers

18.1.1 Free Running Counter

The 16-bit free running counter is clocked by the Timer Capture Clock (TCAPCLK). It is read in software for use as a general purpose time base. When reading the low order byte, the high order byte is registered. Reading the high order byte reads this register allowing the CPU to read the 16-bit value atomically (loads all bits at one time). The free running timer generates an interrupt at 1024 μs rate when clocked by a 4 MHz source. It also generates an interrupt when the free running counter overflow occurs—every 16.384 ms (with a 4 MHz source). This extends the length of the timer.

Figure 18-1. 16-Bit Free Running Counter Block Diagram

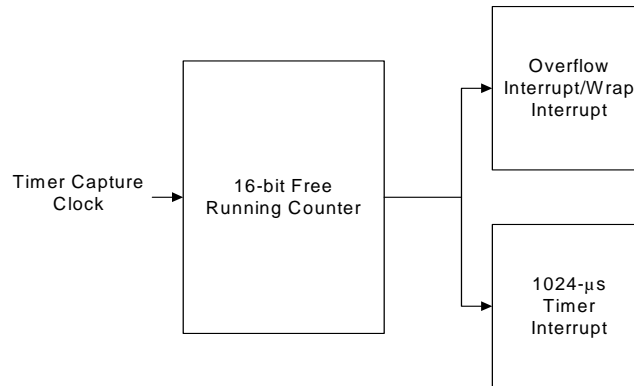


Table 18-1. Free Running Timer Low Order Byte (FRTMRL) [0x20] [R/W]

Bit #	7	6	5	4	3	2	1	0
Field	Free Running Timer [7:0]							
Read/Write	R/W	R/W	R/W	R/W	R/W	R/W	R/W	R/W
Default	0	0	0	0	0	0	0	0

Bit [7:0]: Free Running Timer [7:0]

This register holds the low order byte of the 16-bit free running timer. Reading this register moves the high order byte into a holding register allowing an automatic read of all 16 bits simultaneously.

For reads, the actual read occurs in the cycle when the low order is read. For writes, the actual time the write occurs is the cycle when the high order is written.

When reading the free running timer, the low order byte is read first and the high order second. When writing, the low order byte is written first then the high order byte.

**Table 18-2. Free Running Timer High Order Byte (FRTMRH) [0x21] [R/W]**

Bit #	7	6	5	4	3	2	1	0
Field	Free Running Timer [15:8]							
Read/Write	R/W	R/W	R/W	R/W	R/W	R/W	R/W	R/W
Default	0	0	0	0	0	0	0	0

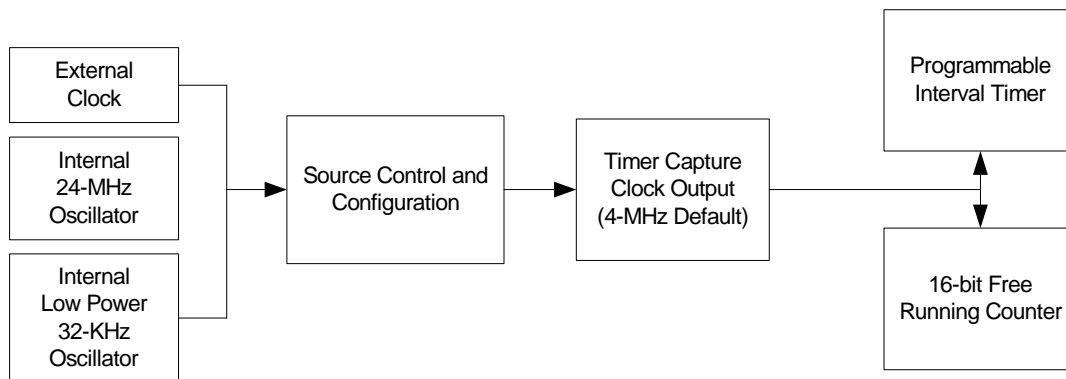
**Bit [7:0]:** Free Running Timer [15:8]

When reading the free running timer, the low order byte is read first and the high order second. When writing, the low order byte is written first, then the high order byte.

**18.1.2 Time Capture**

enCoRe II LV has two 8-bit captures. Each capture has a separate register for rising and falling time. The two 8-bit captures can be configured as a single 16-bit capture. When configured in this way, the capture 1 registers hold the high order byte of the 16-bit timer capture value. Each of the four capture registers can be programmed to generate an interrupt when it is loaded.

**Figure 18-2. Time Capture Block Diagram**



**Table 18-3. Timer Configuration (TMRCR) [0x2A] [R/W]**

Bit #	7	6	5	4	3	2	1	0
Field	First Edge Hold	8-bit Capture Prescale [2:0]			Cap0 16-bit Enable	Reserved		
Read/Write	R/W	R/W	R/W	R/W	R/W	–	–	–
Default	0	0	0	0	0	0	0	0

**Bit 7:** First Edge Hold

The First Edge Hold function applies to all four capture timers.

0 = The time of the most recent edge is held in the Capture Timer Data Register. If multiple edges have occurred since reading the capture timer, the time for the most recent one is read.

1 = The time of the first occurrence of an edge is held in the Capture Timer Data Register until the data is read. Subsequent edges are ignored until the Capture Timer Data Register is read.

**Bit [6:4]:** 8-bit Capture Prescale [2:0]

This field controls which eight bits of the 16 Free Running Timer are captured when in bit mode.

0 0 0 = capture timer[7:0]

0 0 1 = capture timer[8:1]

0 1 0 = capture timer[9:2]

0 1 1 = capture timer[10:3]

1 0 0 = capture timer[11:4]

1 0 1 = capture timer[12:5]

1 1 0 = capture timer[13:6]

1 1 1 = capture timer[14:7]

**Bit 3:** Cap0 16-bit Enable

0 = Capture 0 16-bit mode is disabled

1 = Capture 0 16-bit mode is enabled. Capture 1 is disabled and the Capture 1 rising and falling registers are used as an extension to the Capture 0 registers—extending them to 16 bits.

**Bit [2:0]:** Reserved



**Table 18-4. Capture Interrupt Enable (TCAPINTE) [0x2B] [R/W]**

Bit #	7	6	5	4	3	2	1	0
Field	Reserved				Cap1 Fall Enable	Cap1 Rise Enable	Cap0 Fall Enable	Cap0 Rise Enable
Read/Write	–	–	–	–	R/W	R/W	R/W	R/W
Default	0	0	0	0	0	0	0	0

**Bit [7:4]:** Reserved

**Bit 3:** Cap1 Fall Enable

0 = Disable the capture 1 falling edge interrupt

1 = Enable the capture 1 falling edge interrupt

**Bit 2:** Cap1 Rise Enable

0 = Disable the capture 1 rising edge interrupt

1 = Enable the capture 1 rising edge interrupt

**Bit 1:** Cap0 Fall Enable

0 = Disable the capture 0 falling edge interrupt

1 = Enable the capture 0 falling edge interrupt

**Bit 0:** Cap0 Rise Enable

0 = Disable the capture 0 rising edge interrupt

1 = Enable the capture 0 rising edge interrupt

**Table 18-5. Timer Capture 0 Rising (TCAP0R) [0x22] [R/W]**

Bit #	7	6	5	4	3	2	1	0
Field	Capture 0 Rising [7:0]							
Read/Write	R	R	R	R	R	R	R	R
Default	0	0	0	0	0	0	0	0

**Bit [7:0]:** Capture 0 Rising [7:0]

This register holds the value of the free running timer when the last rising edge occurred on the TIO0 input. When Capture 0 is in 8-bit mode, the bits that are stored here are selected by the Prescale [2:0] bits in the Timer Configuration register. When Capture 0 is in 16-bit mode this register holds the lower order eight bits of the 16-bit timer.

**Table 18-6. Timer Capture 1 Rising (TCAP1R) [0x23] [R/W]**

Bit #	7	6	5	4	3	2	1	0
Field	Capture 1 Rising [7:0]							
Read/Write	R	R	R	R	R	R	R	R
Default	0	0	0	0	0	0	0	0

**Bit [7:0]:** Capture 1 Rising [7:0]

This register holds the value of the free running timer when the last rising edge occurred on the TIO1 input. The bits that are stored here are selected by the Prescale [2:0] bits in the Timer Configuration register. When Capture 0 is in 16-bit mode this register holds the high order eight bits of the 16-bit timer from the last TIO0 rising edge.

**Table 18-7. Timer Capture 0 Falling (TCAP0F) [0x24] [R/W]**

Bit #	7	6	5	4	3	2	1	0
Field	Capture 0 Falling [7:0]							
Read/Write	R	R	R	R	R	R	R	R
Default	0	0	0	0	0	0	0	0

**Bit [7:0]:** Capture 0 Falling [7:0]

This register holds the value of the free running timer when the last falling edge occurred on the TIO0 input. When Capture 0 is in 8-bit mode, the bits that are stored here are selected by the Prescale [2:0] bits in the Timer Configuration register. When Capture 0 is in 16-bit mode this register holds the lower order eight bits of the 16-bit timer.

**Table 18-8. Timer Capture 1 Falling (TCAP1F) [0x25] [R/W]**

Bit #	7	6	5	4	3	2	1	0
Field	Capture 1 Falling [7:0]							
Read/Write	R	R	R	R	R	R	R	R
Default	0	0	0	0	0	0	0	0

**Bit [7:0]:** Capture 1 Falling [7:0]

This register holds the value of the free running timer when the last falling edge occurred on the TIO1 input. The bits stored here are selected by the Prescale [2:0] bits in the Timer Configuration register. When capture 0 is in 16-bit mode this register holds the high order eight bits of the 16-bit timer from the last TIO0 falling edge.

**Table 18-9. Capture Interrupt Status (TCAPINTS) [0x2C] [R/W]**

Bit #	7	6	5	4	3	2	1	0
Field	Reserved				Cap1 Fall Active	Cap1 Rise Active	Cap0 Fall Active	Cap0 Rise Active
Read/Write	–	–	–	–	R/W	R/W	R/W	R/W
Default	0	0	0	0	0	0	0	0

These four bits contains the status bits for the four timer captures for the four timer block capture interrupt sources. Writing any of these bits with 1 clears that interrupt.

**Bit [7:4]:** Reserved

**Bit 3:** Cap1 Fall Active

0 = No event

1 = A falling edge has occurred on TIO1

**Bit 2:** Cap1 Rise Active

0 = No event

1 = A rising edge has occurred on TIO1

**Bit 1:** Cap0 Fall Active

0 = No event

1 = A falling edge has occurred on TIO0

**Bit 0:** Cap0 Rise Active

0 = No event

1 = A rising edge has occurred on TIO0

**Note** The interrupt status bits are cleared by firmware to enable subsequent interrupts. This is achieved by writing a ‘1’ to the corresponding Interrupt status bit.

18.1.3 Programmable Interval Timer

**Table 18-10. Programmable Interval Timer Low (PITMRL) [0x26] [R]**

Bit #	7	6	5	4	3	2	1	0
Field	Prog Interval Timer [7:0]							
Read/Write	R	R	R	R	R	R	R	R
Default	0	0	0	0	0	0	0	0

**Bit [7:0]:** Prog Interval Timer [7:0]

This register holds the low order byte of the 12-bit programmable interval timer. Reading this register moves the high order byte into a holding register allowing an automatic read of all 12 bits simultaneously.

**Table 18-11. Programmable Interval Timer High (PITMRH) [0x27] [R]**

Bit #	7	6	5	4	3	2	1	0
Field	Reserved				Prog Interval Timer [11:8]			
Read/Write	--	--	--	--	R	R	R	R
Default	0	0	0	0	0	0	0	0

**Bit [7:4]:** Reserved

**Bit [3:0]:** Prog Internal Timer [11:8]

This register holds the high order nibble of the 12-bit programmable interval timer. Reading this register returns the high order nibble of the 12-bit timer at the instant when the low order byte was last read.

**Table 18-12. Programmable Interval Reload Low (PIRL) [0x28] [R/W]**

Bit #	7	6	5	4	3	2	1	0
Field	Prog Interval [7:0]							
Read/Write	R/W	R/W	R/W	R/W	R/W	R/W	R/W	R/W
Default	0	0	0	0	0	0	0	0

**Bit [7:0]:** Prog Interval [7:0]

This register holds the lower eight bits of the timer. When writing into the 12-bit reload register, write lower byte first then the higher nibble.

**Table 18-13. Programmable Interval Reload High (PIRH) [0x29] [R/W]**

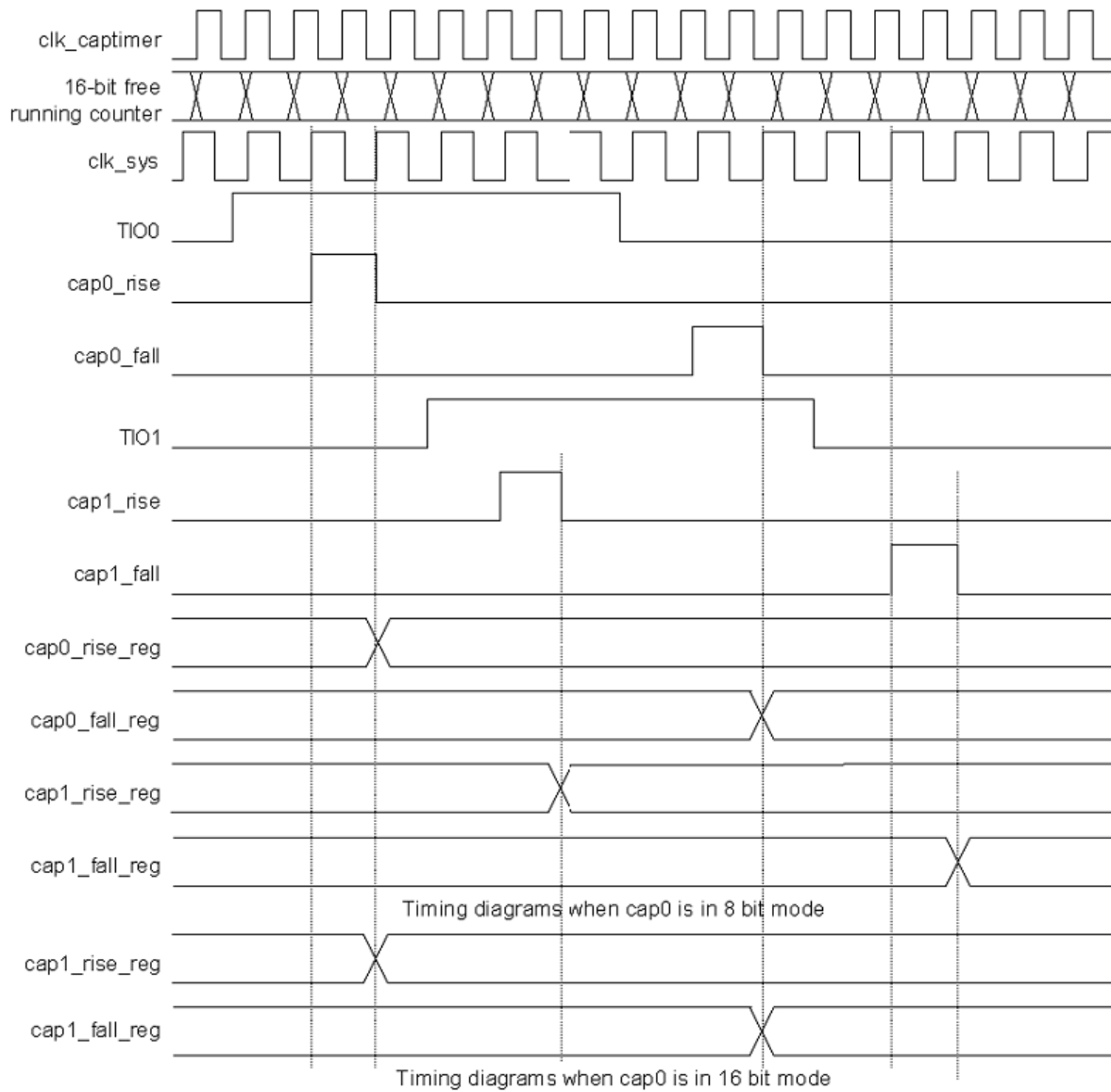
Bit #	7	6	5	4	3	2	1	0
Field	Reserved				Prog Interval[11:8]			
Read/Write	--	--	--	--	R/W	R/W	R/W	R/W
Default	0	0	0	0	0	0	0	0

**Bit [7:4]:** Reserved

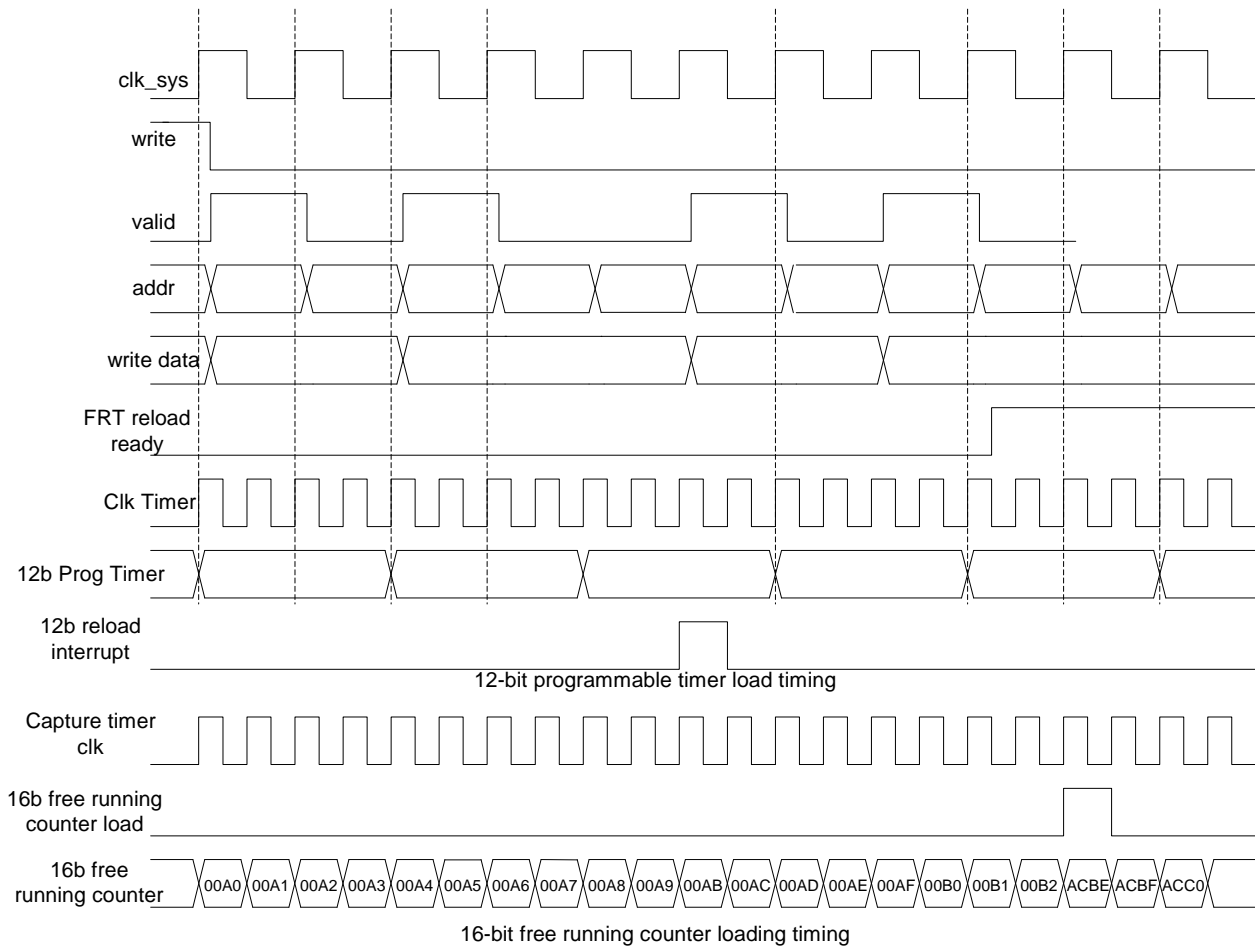
**Bit [3:0]:** Prog Interval [11:8]

This register holds the higher 4 bits of the timer. When writing into the 12-bit reload register, write lower byte first then the higher nibble.

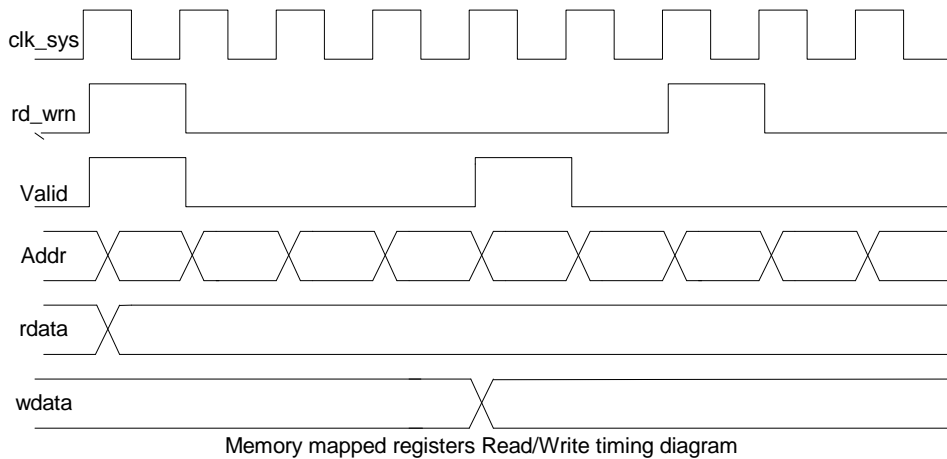
**Figure 18-3. Timer Functional Sequence Diagram**



**Figure 18-4. 16-Bit Free Running Counter Loading Timing Diagram**



**Figure 18-5. Memory Mapped Registers Read and Write Timing Diagram**



## 19. Interrupt Controller

The interrupt controller and its associated registers allow the user's code to respond to an interrupt from almost every functional block in the enCoRe II LV devices. The registers associated with the interrupt controller are disabled either globally or individually. The registers also provide a mechanism for users to clear all pending and posted interrupts or clear individual posted or pending interrupts.

Table 19-1 lists all interrupts and the priorities that are available in the enCoRe II LV devices.

**Table 19-1. Interrupt Priorities, Address, and Name**

Interrupt Priority	Interrupt Address	Name
0	0000h	Reset
1	0004h	POR/LVD
2	0008h	INT0
3	000Ch	SPI Transmitter Empty
4	0010h	SPI Receiver Full
5	0014h	GPIO Port 0
6	0018h	GPIO Port 1
7	001Ch	INT1
8	0020h	Reserved
9	0024h	Reserved
10	0028h	Reserved
11	002Ch	Reserved
12	0030h	Reserved
13	0034h	1 mS Interval timer
14	0038h	Programmable Interval Timer
15	003Ch	Timer Capture 0

**Table 19-1. Interrupt Priorities, Address, and Name (contin-**

Interrupt Priority	Interrupt Address	Name
16	0040h	Timer Capture 1
17	0044h	16-bit Free Running Timer Wrap
18	0048h	INT2
19	004Ch	Reserved
20	0050h	GPIO Port 2
21	0054h	GPIO Port 3
22	0058h	GPIO Port 4
23	005Ch	Reserved
24	0060h	Reserved
25	0064h	Sleep Timer

### 19.1 Architectural Description

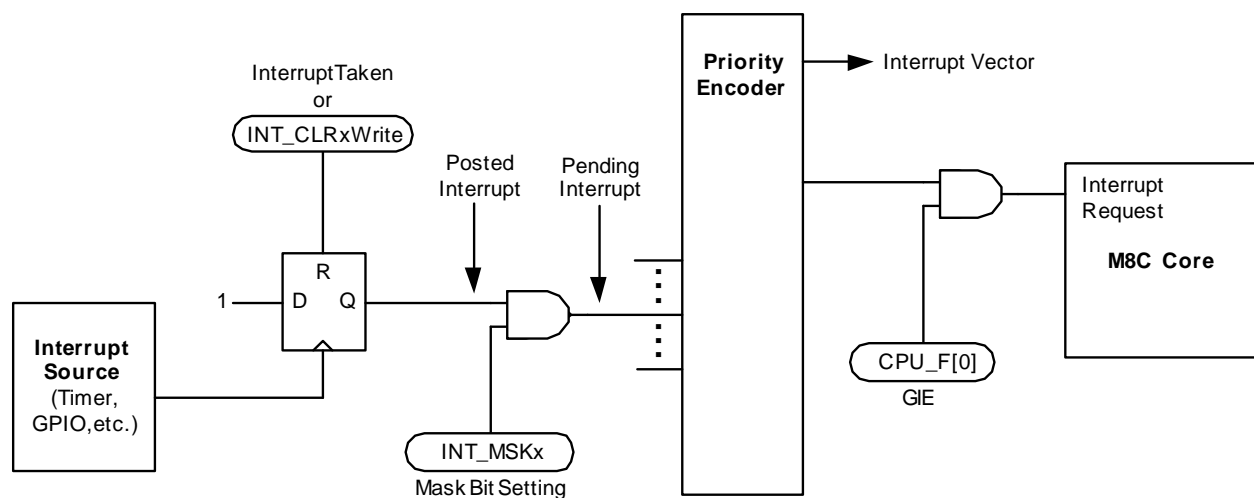
An interrupt is posted when its interrupt conditions occur. This results in the flip-flop in Figure 19-1. clocking in a '1'. The interrupt remains posted until the interrupt is taken or until it is cleared by writing to the appropriate INT\_CLRx register.

A posted interrupt is not pending unless it is enabled by setting its interrupt mask bit (in the appropriate INT\_MSKx register). All pending interrupts are processed by the Priority Encoder to determine the highest priority interrupt which is taken by the M8C if the Global Interrupt Enable bit is set in the CPU\_F register.

Disabling an interrupt by clearing its interrupt mask bit (in the INT\_MSKx register) does not clear a posted interrupt, nor does it prevent an interrupt from being posted. It simply prevents a posted interrupt from becoming pending.

Nested interrupts are accomplished by reenabling interrupts inside an interrupt service routine. To do this, set the IE bit in the Flag Register. A block diagram of the enCoRe II LV Interrupt Controller is shown in Figure 19-1..

**Figure 19-1. Interrupt Controller Block Diagram**



## 19.2 Interrupt Processing

The sequence of events that occur during interrupt processing is as follows:

1. An interrupt becomes active, either because:
  - a. The interrupt condition occurs (for example, a timer expires).
  - b. A previously posted interrupt is enabled through an update of an interrupt mask register.
  - c. An interrupt is pending and GIE is set from 0 to 1 in the CPU Flag register.
2. The current executing instruction finishes.
3. The internal interrupt is dispatched, taking 13 cycles. During this time, the following actions occur:
  - a. The MSB and LSB of Program Counter and Flag registers (CPU\_PC and CPU\_F) are stored onto the program stack by an automatic CALL instruction (13 cycles) generated during the interrupt acknowledge process.
  - b. The PCH, PCL, and Flag register (CPU\_F) are stored onto the program stack (in that order) by an automatic CALL instruction (13 cycles) generated during the interrupt acknowledge process.
  - c. The CPU\_F register is then cleared. Since this clears the GIE bit to 0, additional interrupts are temporarily disabled.
  - d. The PCH (PC[15:8]) is cleared to zero.
  - e. The interrupt vector is read from the interrupt controller and its value placed into PCL (PC[7:0]). This sets the program counter to point to the appropriate address in the interrupt table (for example, 0004h for the POR and LVD interrupt).
4. Program execution vectors to the interrupt table. Typically, a LJMP instruction in the interrupt table sends execution to the user's Interrupt Service Routine (ISR) for this interrupt.
5. The ISR executes. Note that interrupts are disabled since GIE = 0. In the ISR, interrupts are re-enabled if desired, by setting GIE = 1 (avoid stack overflow).

6. The ISR ends with a RETI instruction which restores the Program Counter and Flag registers (CPU\_PC and CPU\_F). The restored Flag register re-enables interrupts, since GIE = 1 again.
7. Execution resumes at the next instruction, after the one that occurred before the interrupt. However, if there are more pending interrupts, the subsequent interrupts are processed before the next normal program instruction.

## 19.3 Interrupt Latency

The time between the assertion of an enabled interrupt and the start of its ISR is calculated from the following equation.

Latency = Time for current instruction to finish + Time for internal interrupt routine to execute + Time for LJMP instruction in interrupt table to execute.

For example, if the 5 cycle JMP instruction is executing when an interrupt becomes active, the total number of CPU clock cycles before the ISR begins is as follows:

(1 to 5 cycles for JMP to finish) + (13 cycles for interrupt routine) + (7 cycles for LJMP) = 21 to 25 cycles.

In the example above, at 12 MHz, 25 clock cycles take 2.08 μs.

## 19.4 Interrupt Registers

### 19.4.1 Interrupt Clear Register

The Interrupt Clear Registers (INT\_CLRx) are used to enable the individual interrupt sources' ability to clear posted interrupts.

When an INT\_CLRx register is read, any bits that are set indicates an interrupt has been posted for that hardware resource. Therefore, reading these registers gives the user the ability to determine all posted interrupts.

**Table 19-2. Interrupt Clear 0 (INT\_CLR0) [0xDA] [R/W]**

Bit #	7	6	5	4	3	2	1	0
Field	GPIO Port 1	Sleep Timer	INT1	GPIO Port 0	SPI Receive	SPI Transmit	INT0	POR/LVD
Read/Write	R/W	R/W	R/W	R/W	R/W	R/W	R/W	R/W
Default	0	0	0	0	0	0	0	0

When reading this register,

0 = There is no posted interrupt for the corresponding hardware.

1 = There is a posted interrupt for the corresponding hardware.

Writing a '0' to the bits clears the posted interrupts for the corresponding hardware. Writing a '1' to the bits and to the ENSWINT (Bit 7 of the INT\_MSK3 Register) posts the corresponding hardware interrupt.

The GPIO interrupts are edge-triggered.

**Table 19-3. Interrupt Clear 1 (INT\_CLR1) [0xDB] [R/W]**

Bit #	7	6	5	4	3	2	1	0
Field	TCAP0	Prog Interval Timer	1-ms Programmable Interrupt	Reserved				
Read/Write	R/W	R/W	R/W	–	–	–	–	–
Default	0	0	0	0	0	0	0	0

When reading this register,

0 = There is no posted interrupt for the corresponding hardware.

1 = There is a posted interrupt for the corresponding hardware.

Writing a '0' to the bits clears the posted interrupts for the corresponding hardware. Writing a '1' to the bits AND to the ENSWINT (Bit 7 of the INT\_MSK3 Register) posts the corresponding hardware interrupt.

**Table 19-4. Interrupt Clear 2 (INT\_CLR2) [0xDC] [R/W]**

Bit #	7	6	5	4	3	2	1	0
Field	Reserved	GPIO Port 4	GPIO Port 3	GPIO Port 2	Reserved	INT2	16-bit Counter Wrap	TCAP1
Read/Write	–	R/W	R/W	R/W	–	R/W	R/W	R/W
Default	0	0	0	0	0	0	0	0

When reading this register,

0 = There is no posted interrupt for the corresponding hardware.

1 = There is a posted interrupt for the corresponding hardware.

Writing a '0' to the bits clears the posted interrupts for the corresponding hardware. Writing a '1' to the bits AND to the ENSWINT (Bit 7 of the INT\_MSK3 Register) posts the corresponding hardware interrupt.

**19.4.2 Interrupt Mask Registers**

The Interrupt Mask Registers (INT\_MSKx) enable the individual interrupt sources' ability to create pending interrupts.

There are four Interrupt Mask Registers (INT\_MSK0, INT\_MSK1, INT\_MSK2, and INT\_MSK3) which are referred to in general as INT\_MSKx. If cleared, each bit in an INT\_MSKx register prevents a posted interrupt from becoming a pending interrupt (input to the priority encoder). However, an interrupt can still post even if its mask bit is zero. All INT\_MSKx bits are independent of all other INT\_MSKx bits.

If an INT\_MSKx bit is set, the interrupt source associated with that mask bit generates an interrupt that becomes a pending interrupt.

The Enable Software Interrupt (ENSWINT) bit in INT\_MSK3[7] determines the way an individual bit value written to an INT\_CLRx register is interpreted. When cleared, writing 1s to an INT\_CLRx register has no effect. However, writing 0s to an INT\_CLRx register, when ENSWINT is cleared, causes the corresponding interrupt to clear. If the ENSWINT bit is set, 0s written to the INT\_CLRx registers are ignored. However, 1s written to an INT\_CLRx register, when ENSWINT is set, causes an interrupt to post for the corresponding interrupt.

Software interrupts aid in debugging interrupt service routines by eliminating the need to create system level interactions that are sometimes necessary to create a hardware only interrupt.

**Table 19-5. Interrupt Mask 3 (INT\_MSK3) [0xDE] [R/W]**

Bit #	7	6	5	4	3	2	1	0
Field	ENSWINT	Reserved						
Read/Write	R	–	–	–	–	–	–	–
Default	0	0	0	0	0	0	0	0

**Bit 7:** Enable Software Interrupt (ENSWINT)

0= Disable. Writing 0s to an INT\_CLRx register, when ENSWINT is cleared, clears the corresponding interrupt.

1= Enable. Writing 1s to an INT\_CLRx register, when ENSWINT is set, posts the corresponding interrupt.

**Bit [6:0]:** Reserved



**Table 19-6. Interrupt Mask 2 (INT\_MSK2) [0xDF] [R/W]**

Bit #	7	6	5	4	3	2	1	0
Field	Reserved	GPIO Port 4 Int Enable	GPIO Port 3 Int Enable	GPIO Port 2 Int Enable	Reserved	INT2 Int Enable	16-bit Counter Wrap Int Enable	TCAP1 Int Enable
Read/Write	–	R/W	R/W	R/W	–	R/W	R/W	R/W
Default	0	0	0	0	0	0	0	0

**Bit 7:** Reserved

**Bit 6:** GPIO Port 4 Interrupt Enable

0 = Mask GPIO Port 4 interrupt

1 = Unmask GPIO Port 4 interrupt

**Bit 5:** GPIO Port 3 Interrupt Enable

0 = Mask GPIO Port 3 interrupt

1 = Unmask GPIO Port 3 interrupt

**Bit 4:** GPIO Port 2 Interrupt Enable

0 = Mask GPIO Port 2 interrupt

1 = Unmask GPIO Port 2 interrupt

**Bit 3:** Reserved

**Bit 2:** INT2 Interrupt Enable

0 = Mask INT2 interrupt

1 = Unmask INT2 interrupt

**Bit 1:** 16-bit Counter Wrap Interrupt Enable

0 = Mask 16-bit Counter Wrap interrupt

1 = Unmask 16-bit Counter Wrap interrupt

**Bit 0:** TCAP1 Interrupt Enable

0 = Mask TCAP1 interrupt

1 = Unmask TCAP1 interrupt

The GPIO interrupts are edge-triggered.

**Table 19-7. Interrupt Mask 1 (INT\_MSK1) [0xE1] [R/W]**

Bit #	7	6	5	4	3	2	1	0
Field	TCAP0 Int Enable	Prog Interval Timer Int Enable	1-ms Timer Int Enable	Reserved				
Read/Write	R/W	R/W	R/W	–	–	–	–	–
Default	0	0	0	0	0	0	0	0

**Bit 7:** TCAP0 Interrupt Enable

0 = Mask TCAP0 interrupt

1 = Unmask TCAP0 interrupt

**Bit 6:** Prog Interval Timer Interrupt Enable

0 = Mask Prog Interval Timer interrupt

1 = Unmask Prog Interval Timer interrupt

**Bit 5:** 1 ms Timer Interrupt Enable

0 = Mask 1 ms interrupt

1 = Unmask 1 ms interrupt

**Bit [4:0]:** Reserved

**Table 19-8. Interrupt Mask 0 (INT\_MSK0) [0xE0] [R/W]**

Bit #	7	6	5	4	3	2	1	0
Field	GPIO Port 1 Int Enable	Sleep Timer Int Enable	INT1 Int Enable	GPIO Port 0 Int Enable	SPI Receive Int Enable	SPI Transmit Int Enable	INT0 Int Enable	POR/LVD Int Enable
Read/Write	R/W	R/W	R/W	R/W	R/W	R/W	R/W	R/W
Default	0	0	0	0	0	0	0	0

**Bit 7: GPIO Port 1 Interrupt Enable**

0 = Mask GPIO Port 1 interrupt

1 = Unmask GPIO Port 1 interrupt

**Bit 6: Sleep Timer Interrupt Enable**

0 = Mask Sleep Timer interrupt

1 = Unmask Sleep Timer interrupt

**Bit 5: INT1 Interrupt Enable**

0 = Mask INT1 interrupt

1 = Unmask INT1 interrupt

**Bit 4: GPIO Port 0 Interrupt Enable**

0 = Mask GPIO Port 0 interrupt

1 = Unmask GPIO Port 0 interrupt

**Bit 3: SPI Receive Interrupt Enable**

0 = Mask SPI Receive interrupt

1 = Unmask SPI Receive interrupt

**Bit 2: SPI Transmit Enable**

0 = Mask SPI Transmit interrupt

1 = Unmask SPI Transmit interrupt

**Bit 1: INT0 Interrupt Enable**

0 = Mask INT0 interrupt

1 = Unmask INT0 interrupt

**Bit 0: POR/LVD Interrupt Enable**

0 = Mask POR/LVD interrupt

1 = Unmask POR/LVD interrupt

*19.4.3 Interrupt Vector Clear Register*
**Table 19-9. Interrupt Vector Clear Register (INT\_VC) [0xE2] [R/W]**

Bit #	7	6	5	4	3	2	1	0
Field	Pending Interrupt [7:0]							
Read/Write	R/W	R/W	R/W	R/W	R/W	R/W	R/W	R/W
Default	0	0	0	0	0	0	0	0

The Interrupt Vector Clear Register (INT\_VC) holds the interrupt vector for the highest priority pending interrupt when read, and when written clears all pending interrupts.

**Bit [7:0]: Pending Interrupt [7:0]**

8-bit data value holds the interrupt vector for the highest priority pending interrupt. Writing to this register clears all pending interrupts.

**Note**

4. Available only on CY7C601xx P2.7, P3.7, P0.0, P0.1; CY7C602xx P1.3,P1.4,P1.5,P1.6,P1.7.

## 20. Absolute Maximum Ratings

Storage Temperature ..... -40°C to +90°C  
 Ambient Temperature with Power Applied..... -0°C to +70°C  
 Supply Voltage on V<sub>CC</sub> Relative to V<sub>SS</sub>..... -0.5V to +7.0V  
 DC Input Voltage ..... -0.5V to + V<sub>CC</sub> + 0.5V  
 DC Voltage Applied to Outputs in High-Z State..... -0.5V to + V<sub>CC</sub> + 0.5V

Maximum Total Sink Output Current into Port 0 and 1 and Pins..... 70 mA  
 Maximum Total Source Output Current into GPIO Pins..... 30 mA  
 Maximum On-chip Power Dissipation on any GPIO Pin..... 50 mW  
 Power Dissipation ..... 300 mW  
 Static Discharge Voltage ..... 2200V  
 Latch-up Current ..... 200 mA

### 20.1 DC Characteristics

Parameter	Description	Conditions	Min	Typical	Max	Unit
	General					
V <sub>CC1</sub>	Operating Voltage	CPU speed <= 12 MHz	2.7		3.6	V
T <sub>FP</sub>	Operating Temp	Flash Programming	0		70	°C
I <sub>CC1</sub>	V <sub>CC</sub> Operating Supply Current	CPU =12 MHz, V <sub>dd</sub> = 3.3V, T = 75C		4.25	11	mA
		CPU =12 MHz, V <sub>dd</sub> = 2.7V, T = 25C		3.25	-	mA
I <sub>CC2</sub>	V <sub>CC</sub> Operating Supply Current	CPU = 6 MHz, V <sub>dd</sub> = 3.3V, T = 75C		3.15	9	mA
		CPU = 6 MHz, V <sub>dd</sub> = 3.3V, T = 25C		2.45	-	mA
I <sub>CC3</sub>	V <sub>CC</sub> Operating Supply Current	CPU = 3 MHz, V <sub>dd</sub> = 2.7V, T = 25C		2.0	-	mA
I <sub>SB1</sub>	Standby Current	Internal and External Oscillators, Bandgap, Flash, CPU Clock, Timer Clock all disabled			10	µA
<b>Low Voltage Detect</b>						
V <sub>LVD</sub>	Low Voltage Detect Trip Voltage	LVDCR [2:0] set to 000	2.681		2.7	V
<b>General Purpose IO Interface</b>						
R <sub>UP</sub>	Pull Up Resistance		4		12	KΩ
V <sub>ICR</sub>	Input Threshold Voltage Low, CMOS mode	Low to High edge	40%		65%	V <sub>CC</sub>
V <sub>ICF</sub>	Input Threshold Voltage Low, CMOS mode	High to Low edge	30%		55%	V <sub>CC</sub>
V <sub>HC</sub>	Input Hysteresis Voltage, CMOS Mode	High to Low edge	3%		10%	V <sub>CC</sub>
V <sub>ILTTL</sub>	Input Low Voltage, TTL Mode				0.72	V
V <sub>IHTTL</sub>	Input HIGH Voltage, TTL Mode		1.6			V
V <sub>OL1</sub>	Output Low Voltage, High Drive <sup>[4]</sup>	I <sub>OL1</sub> = 50 mA			1.4	V
V <sub>OL2</sub>	Output Low Voltage, High Drive <sup>[4]</sup>	I <sub>OL1</sub> = 25 mA			0.4	V
V <sub>OL3</sub>	Output Low Voltage, Low Drive	I <sub>OL2</sub> = 8 mA			0.8	V
V <sub>OH</sub>	Output High Voltage <sup>[4]</sup>	I <sub>OH</sub> = 2 mA	V <sub>CC</sub> - 0.5			V

#### Notes

5. Refer to [Clocking](#) for details on loading proper trim values.
6. In Master mode first bit is available 0.5 SPICLK cycle before Master clock edge available on the SCLK pin.

20.2 AC Characteristics

Parameter	Description	Conditions	Min	Typical	Max	Unit
<b>Clock</b>						
$T_{ECLKDC}$	External Clock Duty Cycle		45		55	%
$T_{ECLK2}$	External Clock Frequency		1		24	MHz
$F_{IMO}$	Internal Main Oscillator Frequency	With proper trim values loaded <sup>[5]</sup>	18.72		26.4	MHz
$F_{ILO}$	Internal Low Power Oscillator	With proper trim values loaded <sup>[5]</sup>	15.0001		50.0	KHz
<b>GPIO Timing</b>						
$T_{R\_GPIO}$	Output Rise Time	Measured between 10 and 90% Vdd and Vreg with 50 pF load			50	ns
$T_{F\_GPIO}$	Output Fall Time	Measured between 10 and 90% Vdd and Vreg with 50 pF load			15	ns
<b>SPI Timing</b>						
$T_{SMCK}$	SPI Master Clock Rate	$F_{CPUCLK}/6$			2	MHz
$T_{SSCK}$	SPI Slave Clock Rate				2.2	MHz
$T_{SCKH}$	SPI Clock High Time	High for CPOL = 0, Low for CPOL = 1	125			ns
$T_{SCKL}$	SPI Clock Low Time	Low for CPOL = 0, High for CPOL = 1	125			ns
$T_{MDO}$	Master Data Output Time <sup>[6]</sup>	SCK to data valid	-25		50	ns
$T_{MDO1}$	Master Data Output Time, First bit with CPHA = 0	Time before leading SCK edge	100			ns
$T_{MSU}$	Master Input Data Setup time		50			ns
$T_{MHD}$	Master Input Data Hold time		50			ns
$T_{SSU}$	Slave Input Data Setup Time		50			ns
$T_{SHD}$	Slave Input Data Hold Time		50			ns
$T_{SDO}$	Slave Data Output Time	SCK to data valid			100	ns
$T_{SDO1}$	Slave Data Output Time, First bit with CPHA = 0	Time after SS LOW to data valid			100	ns
$T_{SSS}$	Slave Select Setup Time	Before first SCK edge	150			ns
$T_{SSH}$	Slave Select Hold Time	After last SCK edge	150			ns

Figure 20-1. Clock Timing

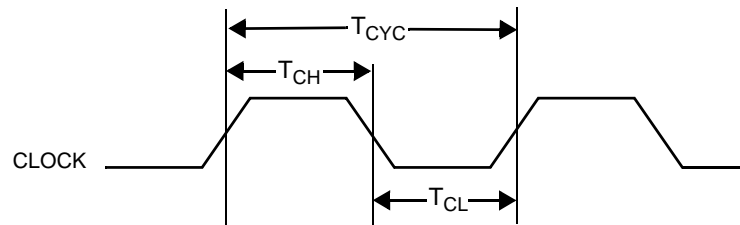


Figure 20-2. GPIO Timing Diagram

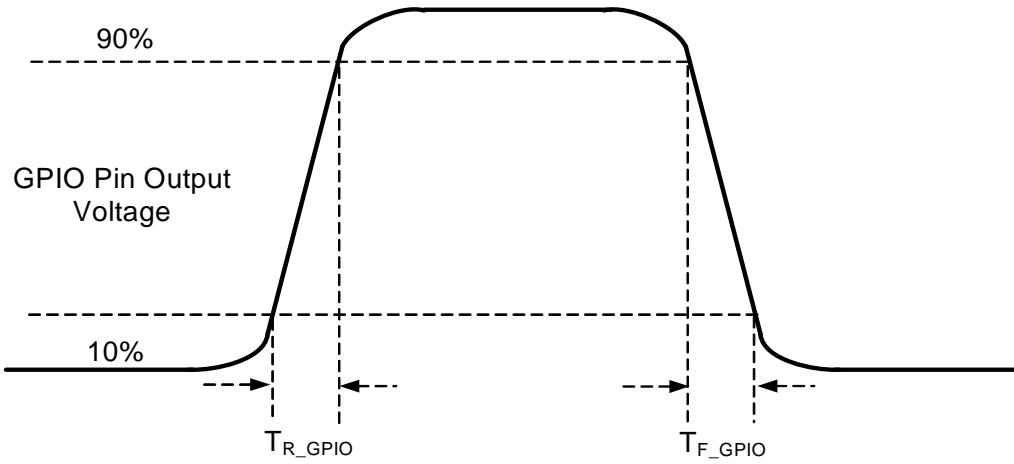


Figure 20-3. SPI Master Timing, CPHA = 1

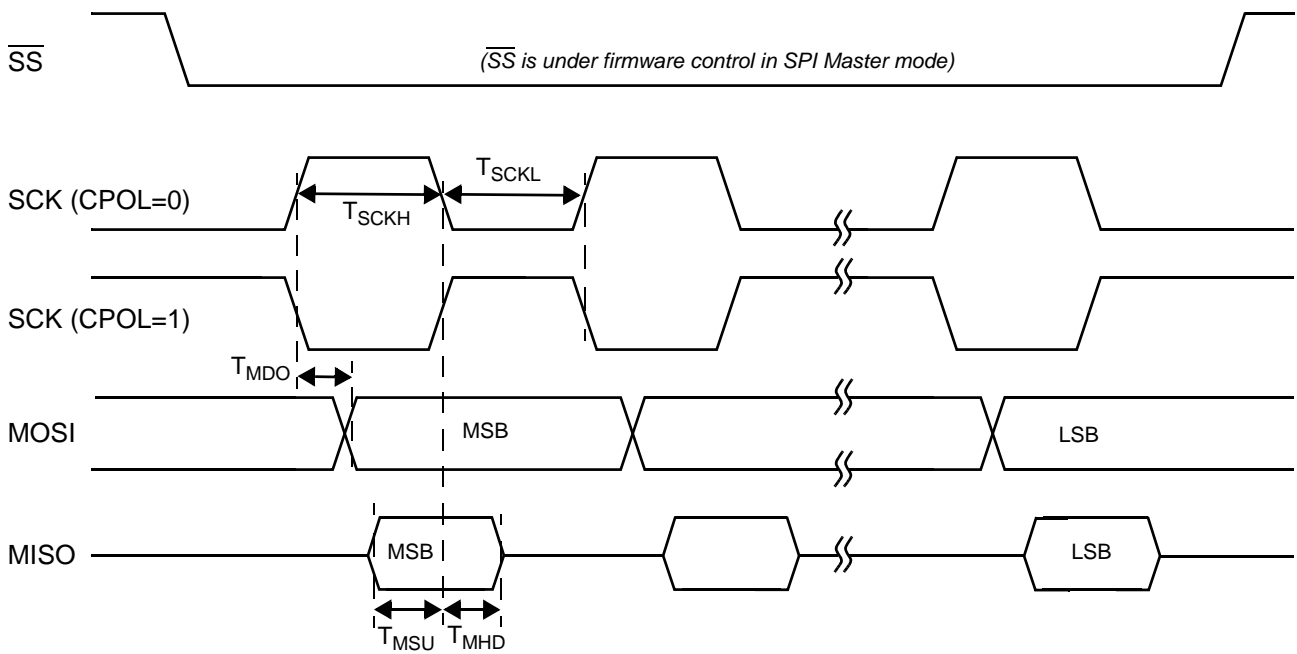


Figure 20-4. SPI Slave Timing, CPHA = 1

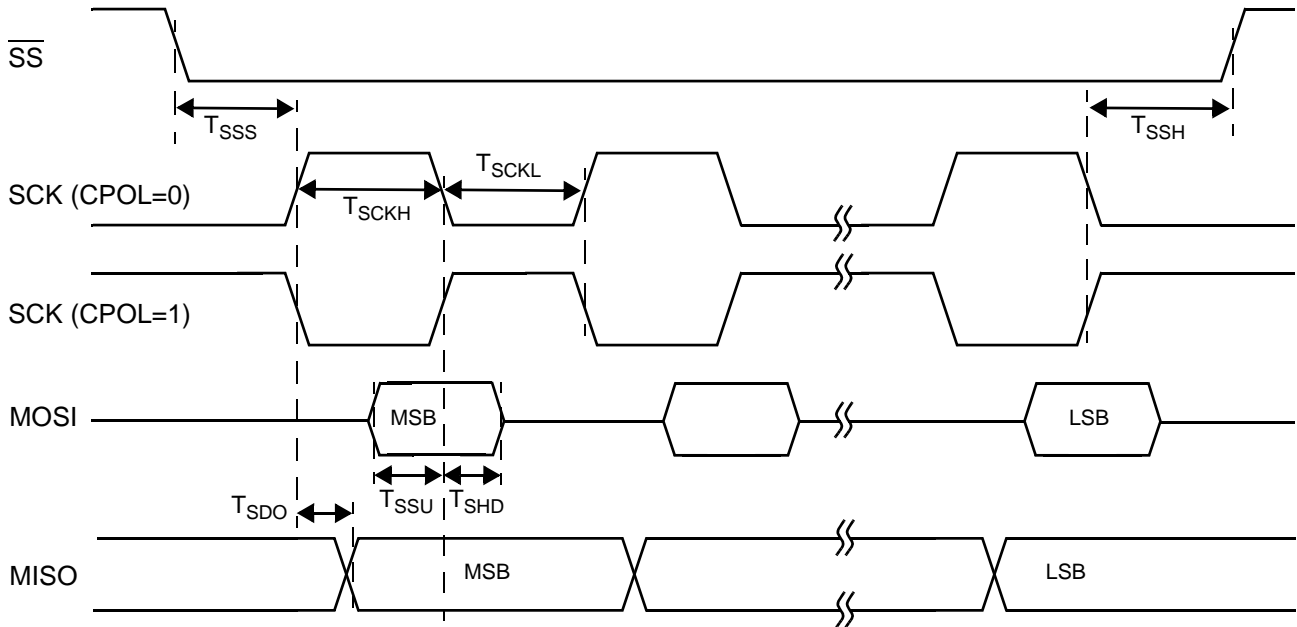


Figure 20-5. SPI Master Timing, CPHA = 0

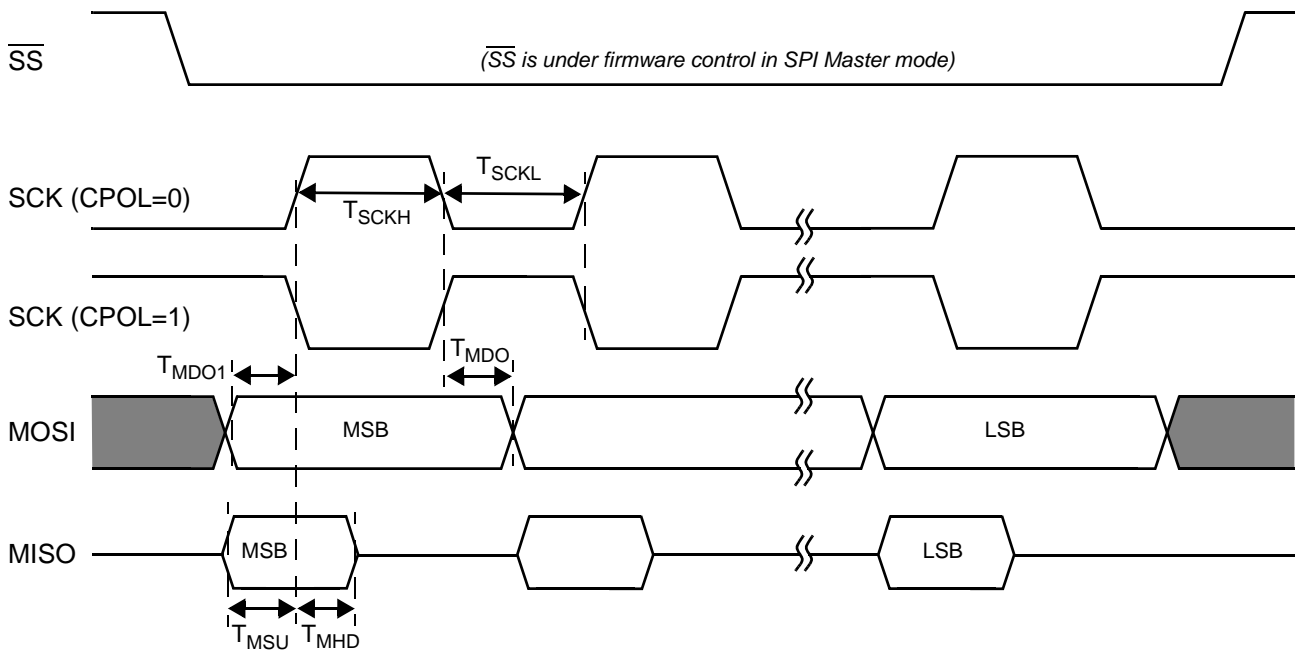
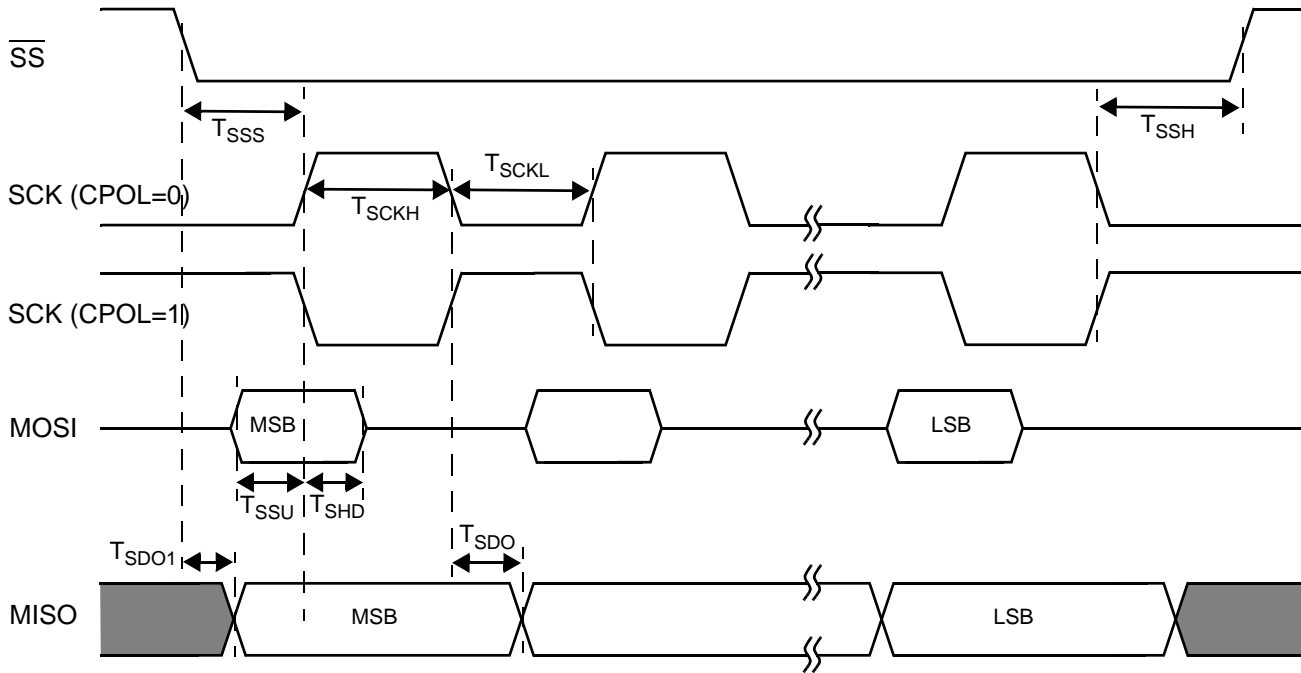


Figure 20-6. SPI Slave Timing, CPHA = 0



## 21. Ordering Information

Ordering Code	FLASH Size	RAM Size	Package Type
CY7C60123-PVXC	8K	256	48-SSOP
CY7C60123-PXC	8K	256	40-PDIP
CY7C60113-PVXC	8K	256	28-SSOP
CY7C60223-PXC	8K	256	24-PDIP
CY7C60223-SXC	8K	256	24-SOIC
CY7C60223-QXC	8K	256	24-QSOP

## 22. Package Diagrams

Figure 22-1. 24-Pin (300-Mil) SOIC S13

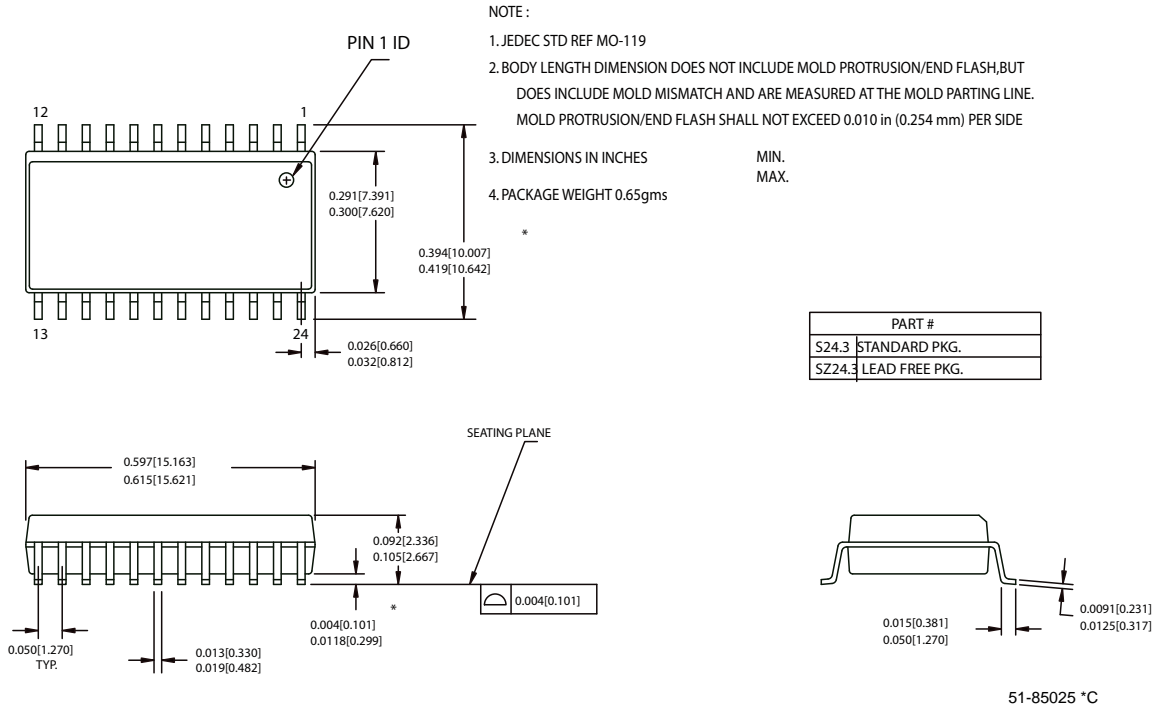


Figure 22-2. 24-Pin (300-Mil) PDIP P13

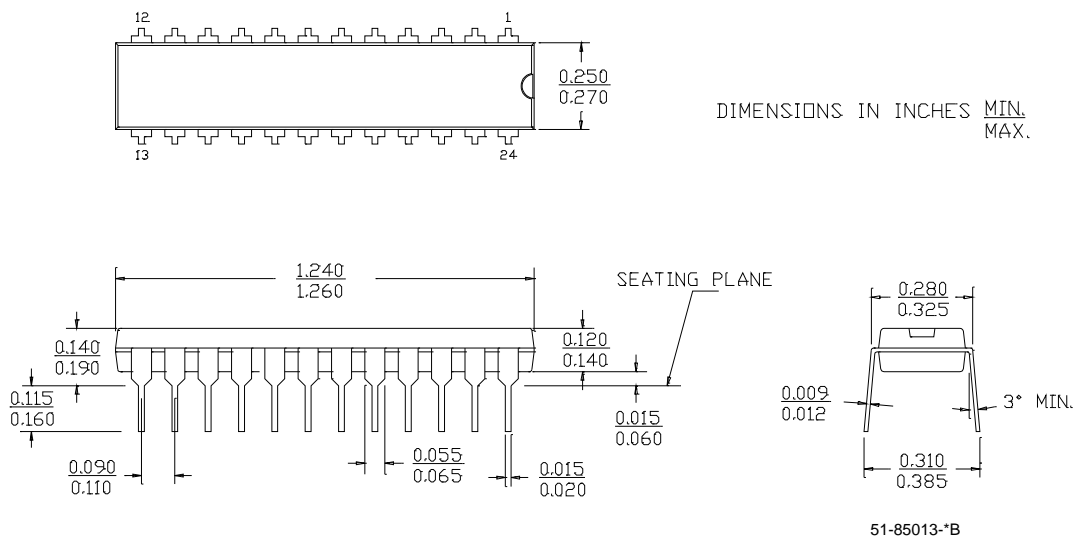
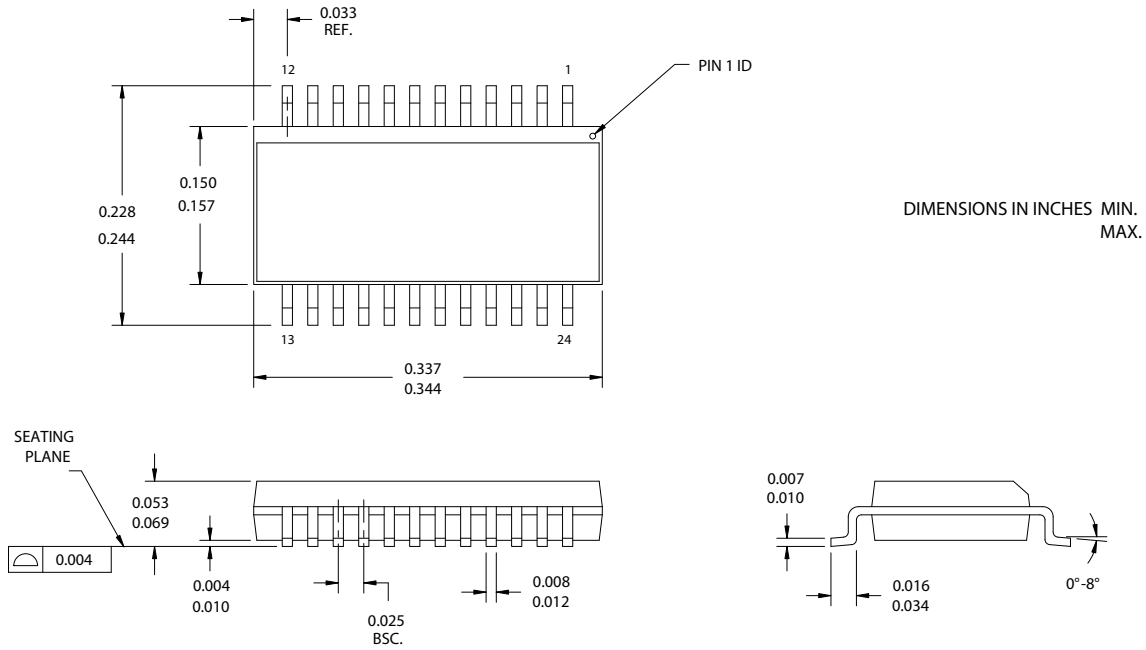


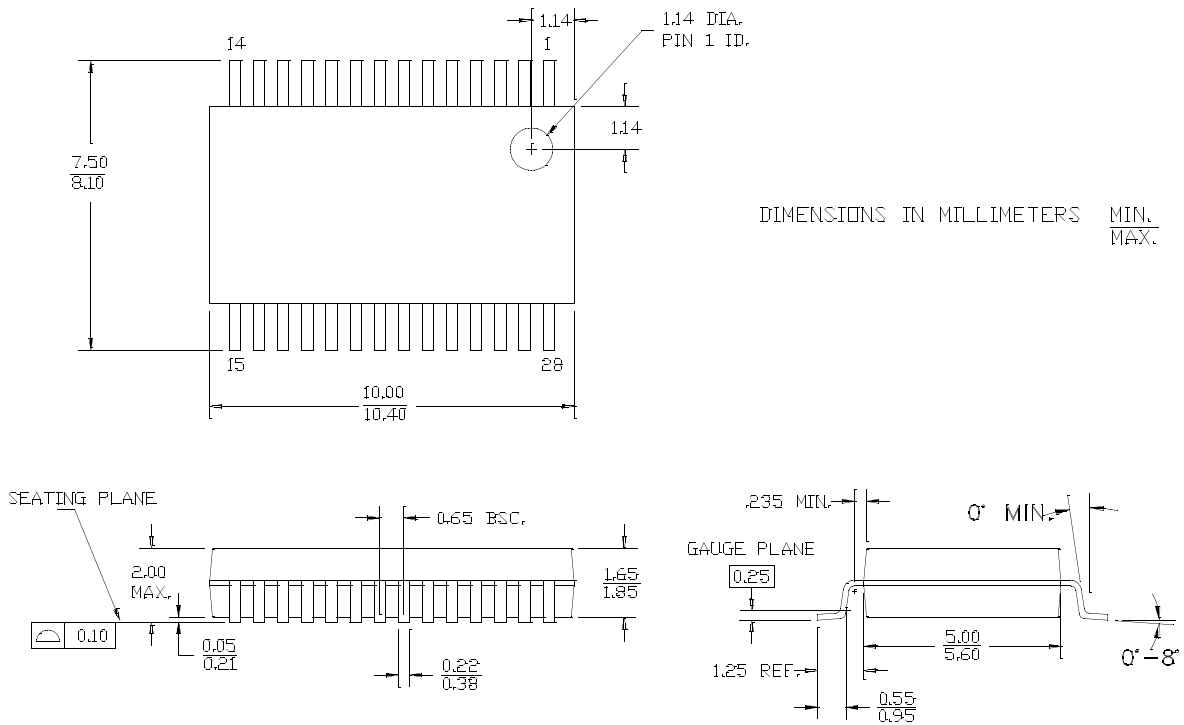


Figure 22-3. 24-Pin QSOP O241



51-85055-B

Figure 22-4. 28-Pin (5.3 mm) Shrink Small Outline Package O28



51-85079-C

Figure 22-5. 40-Pin (600-Mil) Molded DIP P17

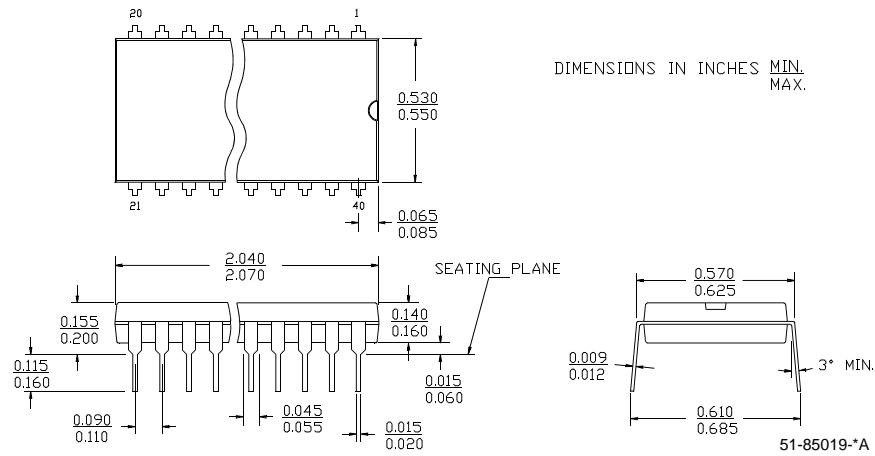
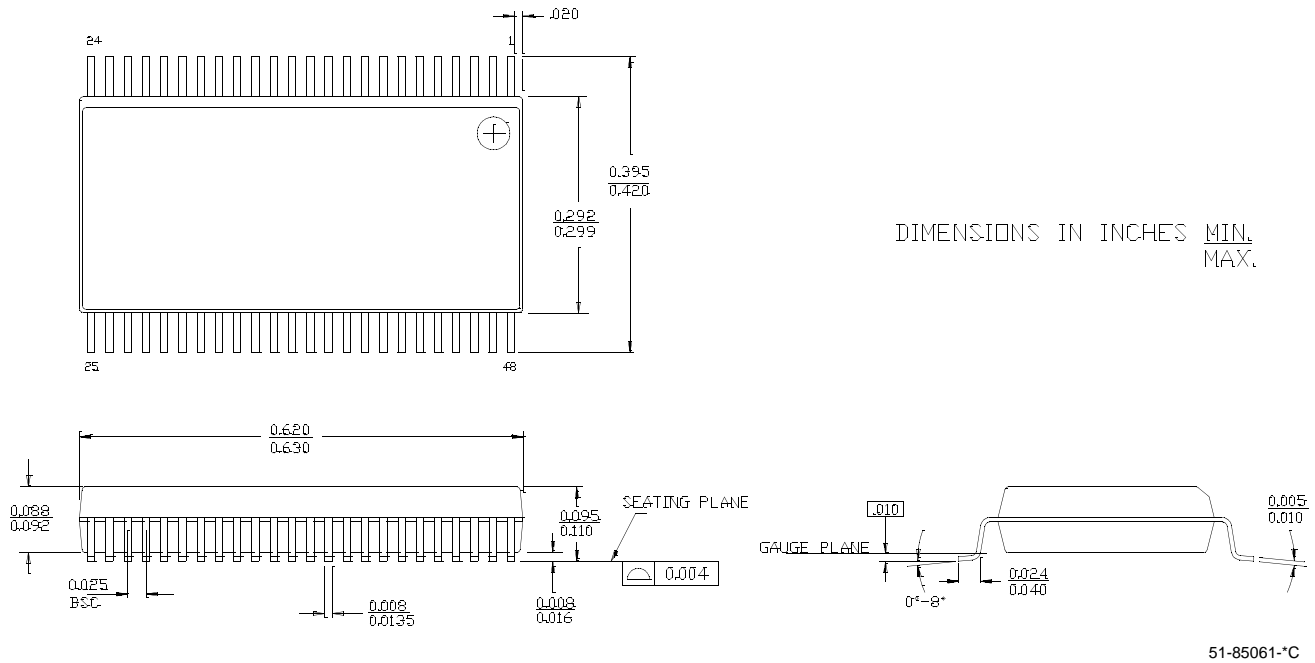


Figure 22-6. 48-Pin Shrunk Small Outline Package O48



### 23. Document History Page

Document Title: CY7C601xx, CY7C602xx enCoRe™ II Low Voltage Microcontroller Document Number: 38-16016				
Revision	ECN	Submission Date	Orig. of Change	Description of Change
**	327601	See ECN	BON	New data sheet
*A	400134	See ECN	BHA	Updated Power consumption values Corrected Pin Assignment Table for 24 QSOP, 24 PDIP and 28 SSOP packages Minor text changes for clarification purposes Corrected INT_MSK0 and INT_MSK1 register address Corrected register bit definitions Corrected Protection Mode Settings in Table 10-7 Updated LVD Trip Point values Added Block diagrams for Timer functional timing Replaced TBD's with actual values Added SPI Block Diagram Added Timing Block Diagrams Removed CY7C60123 DIE from Figure 5-1 Removed CY7C60123-WXC from Section 22.0 Ordering Information Updated internal 24 MHz oscillator accuracy information Added information on sending/receiving data when using 32 KHz oscillator
*B	505222	See ECN	TYJ	Minor text changes GPIO capacitance and timing diagram included Method to clear Capture Interrupt Status bit discussed Sleep and Wakeup sequence documented PIT Timer registers' R/W capability corrected to read only Modified Free Running Counter text in section 17.1.1
*C	524104	See ECN	KKV/TMP	Change title from Wireless enCoRe II to enCoRe II Low Voltage
*D	1821746	See ECN	VGT/FSU /AESA	Changed "High current drive" on GPIO pins to "2 mA source current on all GPIO pins". Changed the storage temperature from -40C to 90C in "Absolute Maximum ratings" section. Added the line "The GPIOs interrupts are edge-triggered." in Tables 19-2 and 19-6. Made timing changes in Table 43. Added Figure 12-1 (SRAM Table) and text after it. Also modified Table 12-1 based on Figure 12-1 (SRAM Table). Changed "CAPx" to "TIOx" in Tables 18-8 and 18-9. Changed "Capturex" to "TIOx" in Figure 18-3.

© Cypress Semiconductor Corporation, 2006-2008. The information contained herein is subject to change without notice. Cypress Semiconductor Corporation assumes no responsibility for the use of any circuitry other than circuitry embodied in a Cypress product. Nor does it convey or imply any license under patent or other rights. Cypress products are not warranted nor intended to be used for medical, life support, life saving, critical control or safety applications, unless pursuant to an express written agreement with Cypress. Furthermore, Cypress does not authorize its products for use as critical components in life-support systems where a malfunction or failure may reasonably be expected to result in significant injury to the user. The inclusion of Cypress products in life-support systems application implies that the manufacturer assumes all risk of such use and in doing so indemnifies Cypress against all charges.

Any Source Code (software and/or firmware) is owned by Cypress Semiconductor Corporation (Cypress) and is protected by and subject to worldwide patent protection (United States and foreign), United States copyright laws and international treaty provisions. Cypress hereby grants to licensee a personal, non-exclusive, non-transferable license to copy, use, modify, create derivative works of, and compile the Cypress Source Code and derivative works for the sole purpose of creating custom software and/or firmware in support of licensee product to be used only in conjunction with a Cypress integrated circuit as specified in the applicable agreement. Any reproduction, modification, translation, compilation, or representation of this Source Code except as specified above is prohibited without the express written permission of Cypress.

Disclaimer: CYPRESS MAKES NO WARRANTY OF ANY KIND, EXPRESS OR IMPLIED, WITH REGARD TO THIS MATERIAL, INCLUDING, BUT NOT LIMITED TO, THE IMPLIED WARRANTIES OF MERCHANTABILITY AND FITNESS FOR A PARTICULAR PURPOSE. Cypress reserves the right to make changes without further notice to the materials described herein. Cypress does not assume any liability arising out of the application or use of any product or circuit described herein. Cypress does not authorize its products for use as critical components in life-support systems where a malfunction or failure may reasonably be expected to result in significant injury to the user. The inclusion of Cypress' product in a life-support systems application implies that the manufacturer assumes all risk of such use and in doing so indemnifies Cypress against all charges.

Use may be limited by and subject to the applicable Cypress software license agreement.