

**PLEASE CHECK WWW.MOLEX.COM FOR LATEST PART INFORMATION**

**Part Number:** [0352040396](#)  
**Status:** **Planned for Obsolescence**  
**Description:** 5.00mm (.197") Pitch, 2.36mm (.093") Diameter Wire-to-Board Header, Vertical, with Positive Latch, 3 Circuits, Lead-free, White

**Documents:**

[3D Model](#)  
[Drawing \(PDF\)](#)  
[RoHS Certificate of Compliance \(PDF\)](#)

**General**

Product Family	PCB Headers
Series	<a href="#">35204</a>
Application	Wire-to-Board
Product Name	N/A

**Physical**

Breakaway	No
Circuits (Loaded)	3
Circuits (maximum)	3
Durability (mating cycles max)	30
First Mate / Last Break	No
Glow-Wire Compliant	No
Guide to Mating Part	No
Keying to Mating Part	None
Lock to Mating Part	Yes
Material - Plating Mating	Tin
Material - Plating Termination	Tin
Number of Rows	1
Orientation	Vertical
PC Tail Length (in)	0.154 In
PC Tail Length (mm)	3.90 mm
PCB Locator	No
PCB Retention	Yes
PCB Thickness Recommended (in)	0.062 In
PCB Thickness Recommended (mm)	1.60 mm
Packaging Type	Tube
Pitch - Mating Interface (in)	0.197 In
Pitch - Mating Interface (mm)	5.00 mm
Polarized to Mating Part	Yes
Polarized to PCB	No
Shrouded	Partial
Stackable	No
Surface Mount Compatible (SMC)	No
Temperature Range - Operating	-40°C to +105°C
Termination Interface: Style	Through Hole

**Electrical**

Current - Maximum per Contact	7A
Voltage - Maximum	300V

**Material Info**

**Reference - Drawing Numbers**

Sales Drawing	SD-35204-003
---------------	--------------

**EU RoHS**

**ELV and RoHS Compliant**

**REACH SVHC**

Not Reviewed

**Halogen-Free**

**Status**

**Not Reviewed**

**China RoHS**



**Need more information on product environmental compliance?**

Email [productcompliance@molex.com](mailto:productcompliance@molex.com)  
 For a multiple part number RoHS Certificate of Compliance, [click here](#)

Please visit the [Contact Us](#) section for any non-product compliance questions.

**Search Parts in this Series**

[35204Series](#)

**Mates With**

[35108 Wire-to-Board Housing](#)

This document was generated on 06/07/2010

**PLEASE CHECK [WWW.MOLEX.COM](http://WWW.MOLEX.COM) FOR LATEST PART INFORMATION**

10 9 8 7 6 5 4 3 2 1

F

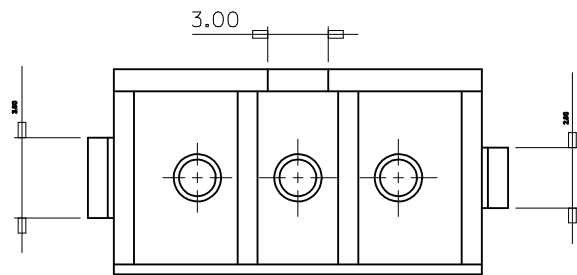
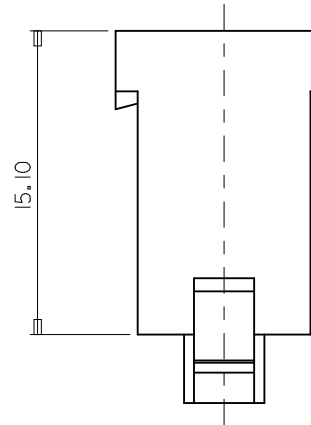
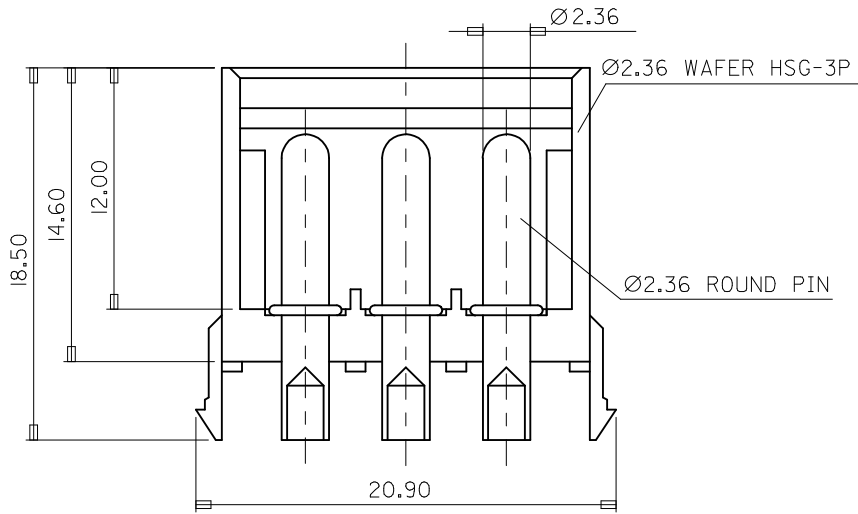
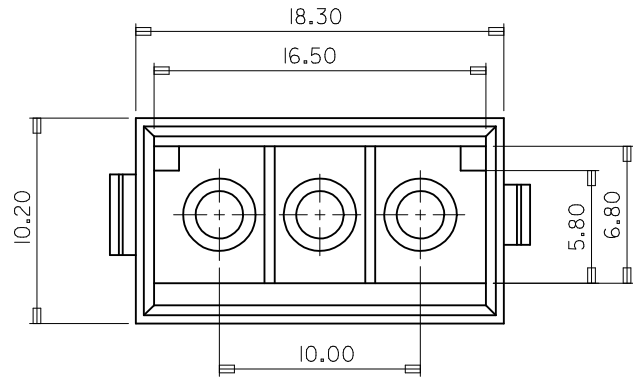
E

D

C

B

A



NOTES.

1. MATERIAL & COLOR :

TABLE	ENG. NO.	COLOR
	35204-03*2	RED
	35204-03*3	YELLOW
	35204-03*4	BLUE
	35204-03*5	GREEN
	35204-03*6	WHITE

\* 4 : PA66 9 : PC/PET

2. MATES HOUSING : 35108-03\*\*

3. MATES PIN : 35601-1561

<b>REVISED</b> IEC NO: KOR2009-0124 DRWN: JHPARK01 2009/02/25 CHKD: WYANG 2009/02/25 APPR: YUNSIKIM 2009/02/26	QUALITY SYMBOLS ▽=0 ▽=0	GENERAL TOLERANCES (UNLESS SPECIFIED) mm INCH 4 PLACES ± --- ± --- 3 PLACES ± --- ± --- 2 PLACES ± 0.30 ± --- 1 PLACE ± 0.30 ± --- ANGULAR ± 3 °	DIMENSION STYLE <b>MM ONLY</b> DRAWN BY WY. YANG DATE 1996/01/12 CHECKED BY BK. CHOI DATE 1996/01/12 APPROVED BY CW. LEE DATE 1996/01/12	SCALE <b>4:1</b> DESIGN UNITS <b>METRIC</b> THIRD ANGLE PROJECTION	TITLE <b>2.36 DIA WAFER-3P</b>
	DRAFT WHERE APPLICABLE MUST REMAIN WITHIN DIMENSIONS	MATERIAL NO. <b>SEE NOTES</b>	MOLEX INCORPORATED DOCUMENT NO. <b>SD-35204-003</b>	SHEET NO. <b>1 OF 01</b>	
	THIS DRAWING CONTAINS INFORMATION THAT IS PROPRIETARY TO MOLEX INCORPORATED AND SHOULD NOT BE USED WITHOUT WRITTEN PERMISSION				
	SIZE <b>A3</b>				

9 8 7 6 5 4 3 2 1