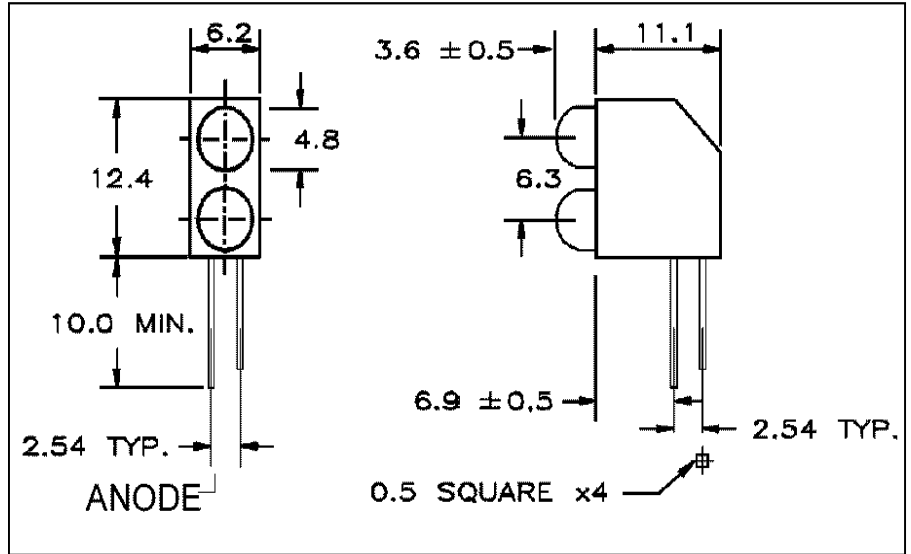


Features

Diffused lens



Series Line-Up

Part Number	Color	Material
MTA1164H-GG	Yellow Green	GaP
MTA1164H-HRG	High Efficiency Red	GaAsP
	Yellow Green	GaP
MTA1164H-HRHR	High Efficiency Red	GaAsP
MTA1164H-YG	Pure Yellow	GaAsP
	Yellow Green	GaP
MTA1164H-YY	Pure Yellow	GaAsP

Maximum Ratings (Ta=25°C)

Part Number	Forward Current I _F	Reverse Voltage V _R	Power Dissipation P _D	Operating Temperature T _{opr}	Storage Temperature T _{stg}
MTA1164H-GG	30	5	85.00	-25 ~ +60	-25 ~ +60
MTA1164H-HRG	30	5	85.00	-25 ~ +60	-25 ~ +60
	30	5	85.00	-25 ~ +60	-25 ~ +60
MTA1164H-HRHR	30	5	85.00	-25 ~ +60	-25 ~ +60
MTA1164H-YG	30	5	85.00	-25 ~ +60	-25 ~ +60
	30	5	85.00	-25 ~ +60	-25 ~ +60
MTA1164H-YY	30	5	85.00	-25 ~ +60	-25 ~ +60
Unit	mA	V	mW	°C	°C

Electrical and Optical Characteristics (Ta=25°C)

Part Number	PWL nm λ_P	Material	View Angle $2\theta_{1/2}$	Luminous Intensity I_v				Forward Voltage V_F				Rev Current I_R	
				min.	typ.	max.	IF@	min.	typ.	max.	IF@	max.	VR@
MTA1164H-GG	567	GaP	34°	7.20	100.00	-	20mA	-	2.10	3.00	20mA	100	5V
MTA1164H-HRG	635	GaAsP	34°	8.20	75.00	-	20mA	-	2.10	3.00	20mA	100	5V
	567	GaP	34°	7.20	100.00	-	20mA	-	2.10	3.00	20mA	100	5V
MTA1164H-HRHR	635	GaAsP	34°	8.20	75.00	-	20mA	-	2.10	3.00	20mA	100	5V
MTA1164H-YG	585	GaAsP	34°	5.80	65.00	-	20mA	-	2.10	3.00	20mA	100	5V
	567	GaP	34°	7.20	100.00	-	20mA	-	2.10	3.00	20mA	100	5V
MTA1164H-YY	585	GaAsP	34°	5.80	65.00	-	20mA	-	2.10	3.00	20mA	100	5V
-	nm	-	deg	mcd				-	V		-	μA	-

NOTES:

- All Dimensions are in millimeters.
- Tolerance is ± 0.25 mm unless otherwise stated.
- An Epoxy Meniscus may extend about 1mm down the leads.
- Burr around bottom of epoxy may be around 0.5mm MAX.
- Specifications are subject to change without notice.