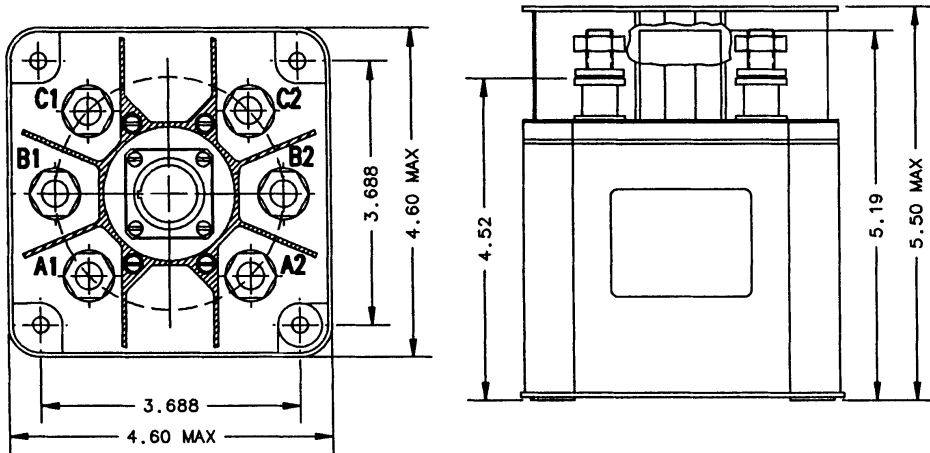


B-493E 3PST, Magnetic Latch, 160 Amps, 230 VAC, 400 Hz

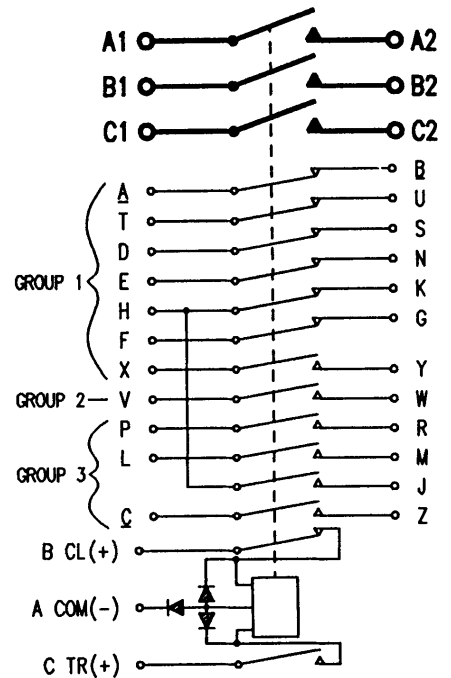
Features:

- 3PST Main Contacts
- Magnetic Latch
- Main Contacts Rated 230 Volts Line to Neutral
- Self De-Energizing Coil
- 230 VAC
- 160 Amps
- High Reliability
- Meets many requirements of MIL-R-6106



Dimensions for this product are expressed in inches. Multiply values by 25.4 for millimeters.

CONTACTOR CONFIGURATION



Notes:

| PRODUCT SPECIFICATIONS | |
|-------------------------------|--------------------------------------|
| Construction | Gasket Sealed, Vented |
| Main Contacts: | |
| Configuration | 3PST Magnetic Latch |
| Voltage (Nominal) | 230 VAC, 400 Hz |
| Current (Resistive) | 160 Amps |
| Auxiliary Contacts: | |
| Configuration | 6-SPST N.O., 6-SPST N.C. |
| Ratings | |
| Group 1 | 0.10 Amps, 28 VDC or 120 VAC, 400 Hz |
| Group 2 | 6.40 Amps, 28 VDC |
| Group 3 | 0.01 Amps, 15 VDC |
| Coil Data: | |
| Duty Cycle | Continuous, Self De-Energizing |
| Voltage (Nominal) | 28 VDC |
| Operate Voltage | |
| Close | 15 VDC Maximum |
| Trip | 15 VDC Maximum |
| Coil Current @ 28 VDC & +25°C | |
| Close | 7 Amps Maximum |
| Trip | 7 Amps Maximum |
| Operating Temperature | -55°C to +71°C |
| Life: | |
| Electrical | 50,000 Cycles |
| Mechanical | 100,000 Cycles |
| Weight | 4.3 Lbs. |

For factory-direct application assistance, contact the HARTMAN product team at (419) 521-9500, Fax (419) 526-2749.

© 2004 by Tyco Electronics Corporation. All Rights Reserved. HARTMAN and TYCO are trademarks.