

# 0.50mm

## (0.02") PITCH CONNECTOR



**05002HR-NNI**

### Material

I/NO	DESCRIPTION	MATERIAL
1	HOUSING	THERMO PLASTIC, UL94V-0
2	ACTUATOR	THERMO PLASTIC, UL94V-0
3	TERMINAL	Phosphor Bronze, Au-plated
4	HOOK	Phosphor Bronze, Au-plated

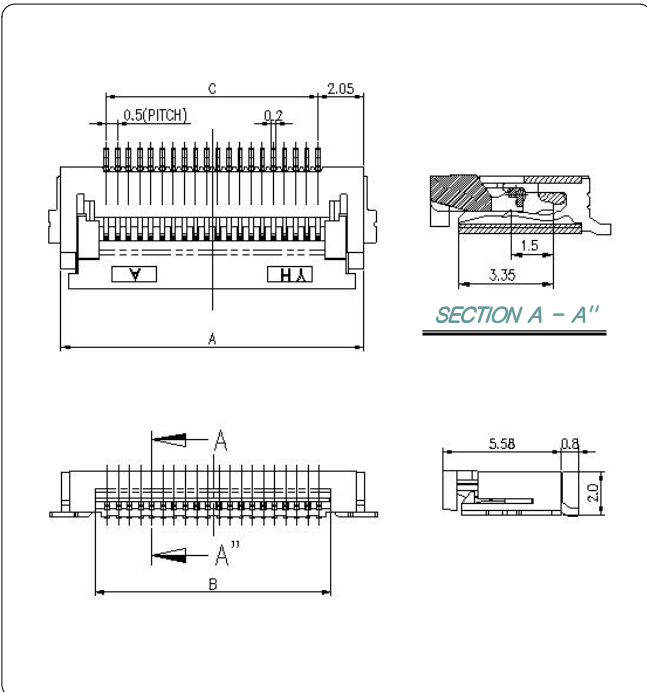
**FPC/FFC  
Connectors**

### Housing

Emboss Type	SMT Type
ZIF Type	Bottom Contact

### Available Pin

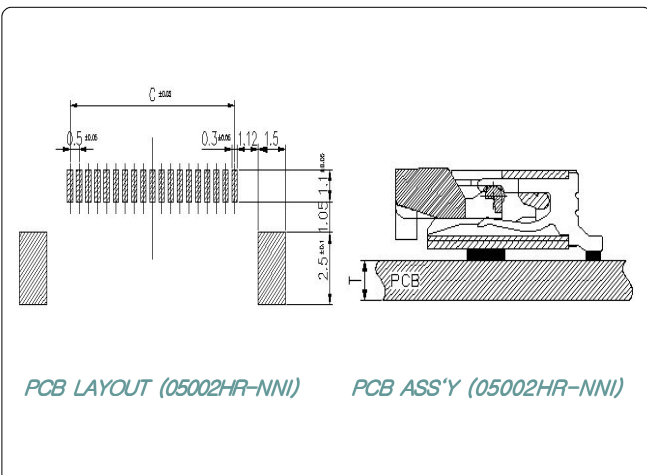
PARTS NO.	A	B	C
05002HR-45I	26.1	23.0	22.0
05002HR-50I	28.6	25.5	24.5
05002HR-60I	33.6	30.5	29.5



**SECTION A - A''**

### Specification

ITEM	SPEC
Voltage Rating	AC/DC 50V
Current Rating	AC/DC 0.4A
Operating Temperature	-25°C~+85°C
Contact Resistance	30mΩ MAX
Withstanding Voltage	AC250V/1min
Insulation Resistance	100MΩ MIN
Applicable Wire	-
Applicable P.C.B	0.8 ~ 1.6mm
Applicable FPC/FFC	0.12±0.02mm
Solder Height	0.15mm
Crimp Tensile Strength	-
UL FILE NO	-



**PCB LAYOUT (05002HR-NNI)**

**PCB ASS'Y (05002HR-NNI)**