



ETA-USA

HIGH QUALITY SWITCHING POWER SUPPLIES

AC/DC SWITCHING DESKTOP ADAPTOR
POWER SUPPLY
SINGLE OUTPUT / UNIVERSAL RANGE INPUT
70 WATTS



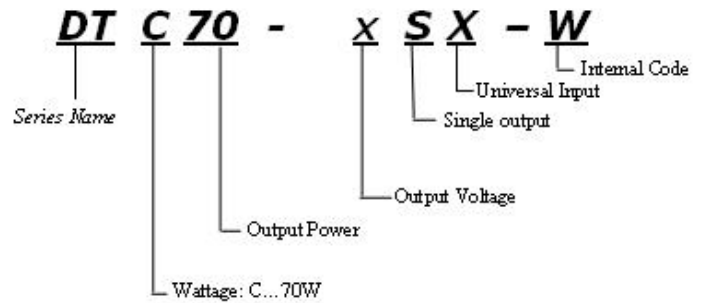
DTC70-xSX-W SERIES



DIMENSION: L155×W85×H50mm

Input	
Input Voltage Range:	90-264VAC(Full Range)
Input Current (rms):	2A @ 90VAC; 1A @ 264VAC MAX.
Frequency:	47 - 63Hz
Efficiency:	>80%@full load, 115VAC
Options	
N/A	

General Description



Features

1. High Reliability
2. 100% BURN-IN Tested
3. 100% Hi-Pot tested
4. Safety Approvals, EMC compliance
5. Single Output
6. Total Power : 70Watts
7. Input : 90~264VAC
8. AC Input : IEC 320-C14 Inlet
9. Dimension : L155×W85×H50mm

Output Characteristic	Unit	DTC 70-12SX	DTC 70-13SX	DTC 70-14SX	DTC 70-15SX	DTC 70-16SX	DTC 70-17SX	DTC 70-18SX	DTC 70-19SX	DTC 70-20SX	DTC 70-21SX	DTC 70-22SX	DTC 70-23SX	DTC 70-24SX
		-W	-W	-W	-W	-W	-W	-W	-W	-W	-W	-W	-W	-W
Output Voltage	Vdc	12	13	14	15	16	17	18	19	20	21	22	23	24
Output Current	A	5.8	5.4	5	4.6	4.37	4.11	3.88	3.68	3.5	3.33	3.18	3.04	2.9
Output Power	W	70	70	70	70	70	70	70	70	70	70	70	70	70
Ripple and Noise	mVpp	120	130	140	150	160	170	180	190	200	210	220	230	240
Output Regulation	%	±3 ~ 5%												
Hold up time	mS	>16ms typical at full load @ 115VAC												

Efficiency	%	>80% @ full load, 115VAC
-------------------	---	------------------------------------

Note: 1. Peak to Peak with 20MHz bandwidth with a tantalum 10uF in parallel with a 0.1uF ceramic capacitor.



ETA USA
16170 Vineyard Blvd. Suite 180, Morgan Hill, CA 95037
Phone: 1-800-ETA-POWER, (408) 778-2793 Fax: (408) 779-2753

Visit us at: www.eta-usa.com
email at: sales@eta-usa.com

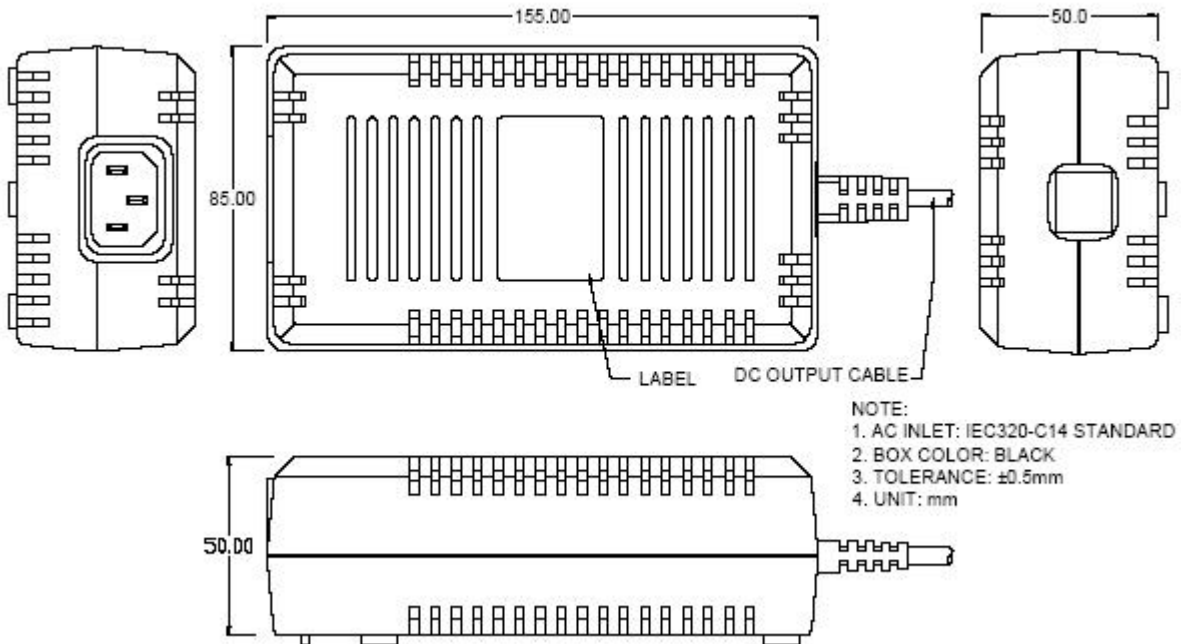


ETA-USA

HIGH QUALITY SWITCHING POWER SUPPLIES

Environmental Specification	
Operating Temperature	0°C TO +40°C
Storage Temperature	-10°C +70°C
MTBF	>80'000 Hours at full load and 25°C ambient temp.
Protection	
Over voltage protection: AC recycle Short circuit protection: Auto recovery	
Safety	UL 60950 CSA C22.2-No.60950 TUV EN60950 CB IEC 60950 PSE J60950 CCC
EMI STANDARDS	FCC Part 15 Class B CISPR22 Class B EN 55022 Class B EN 61000-3-2 Class D EN 55054 CE
Dimension	L155×W85×H50mm
AC Input Connector	IEC 320-C14

DIMENSION DIAGRAM mm



ETA USA
16170 Vineyard Blvd. Suite 180, Morgan Hill, CA 95037
Phone: 1-800-ETA-POWER, (408) 778-2793 Fax: (408) 779-2753

Visit us at: www.eta-usa.com
email at: sales@eta-usa.com