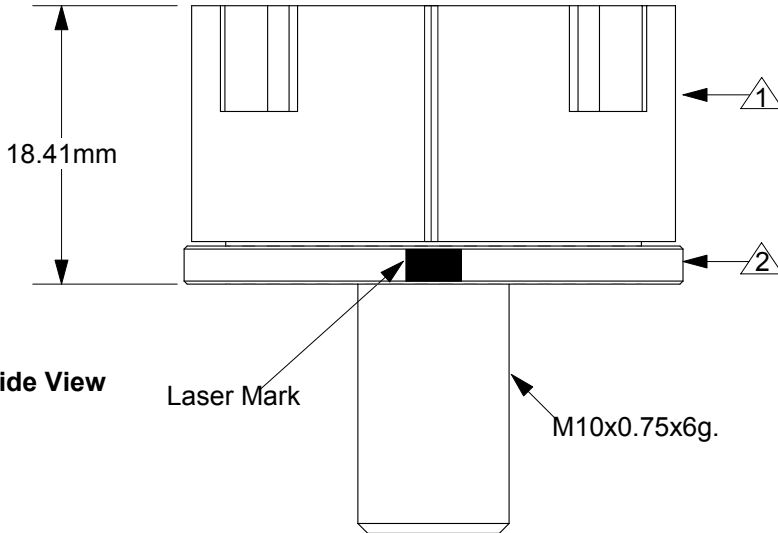
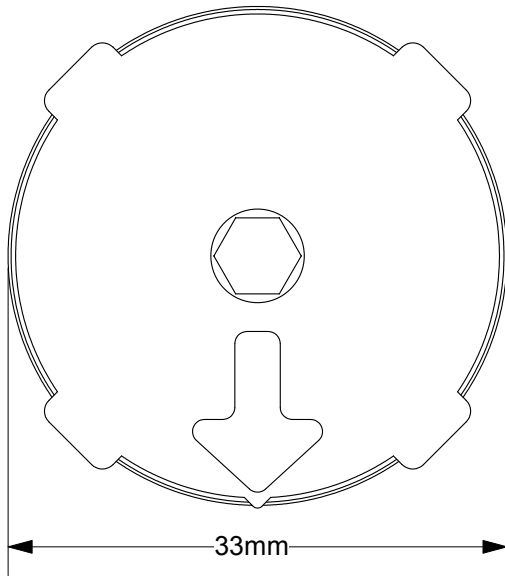


TS-SS-12-X.X Drawing

**Note: Screw needs to be calibrated for a specific torque.
Use part numbers shown in the table below to order appropriate screw**

Top View



Side View

Laser Mark

M10x0.75x6g.



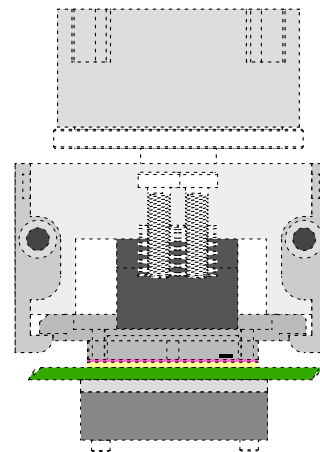
Compression Screw Top: Clear anodized Aluminum.



Compression Screw Bottom: Black anodized Aluminum M10 x0.75x6g Thread.

Ordering Information

Part Number	Torque (in. lbs)
TS-SS-12-0.5	0.5
TS-SS-12-1.0	1.0
TS-SS-12-1.5	1.5
TS-SS-12-2.0	2.0
TS-SS-12-2.5	2.5
TS-SS-12-3.0	3.0
TS-SS-12-3.5	3.5
TS-SS-12-4.0	4.0
TS-SS-12-4.5	4.5
TS-SS-12-5.0	5.0



Clamshell lid socket with Torque Indicating Screw


Description: Torque Indicating Screw

Torque screw for 0.5 in lbs -5.2 in lbs.

To be used with clamshell sockets

Compression screw needs to be turned clockwise up to the point where the arrow on top of the compression screw aligns with laser mark on the compression screw bottom.

Tolerances: All tolerances are $\pm 0.13\text{mm}$ [$\pm 0.005''$] unless stated otherwise. Materials and specifications are subject to change without notice.

 <p>TS-SS-12-X.X Drawing © 2008 IRONWOOD ELECTRONICS, INC. Tele: (952) 229-8200 www.ironwoodelectronics.com</p>	Status: Released	Scale: -	Rev: C
	Drawing: Vinayak R		Date: 6/4/08
	File: TS-SS-12-X_X Dwg		Modified: 10/21/09