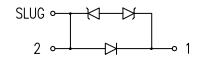
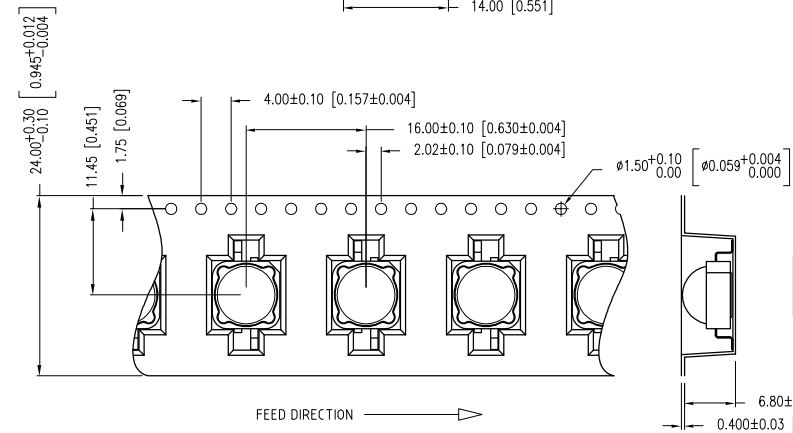
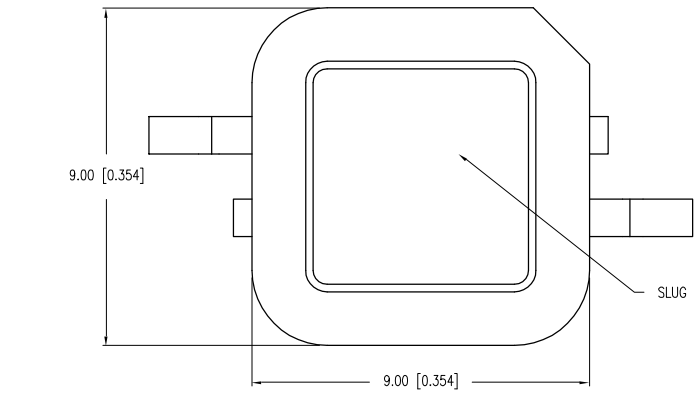
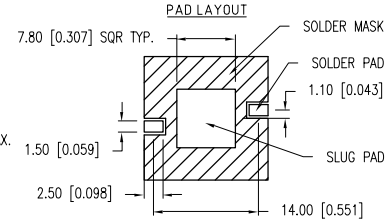
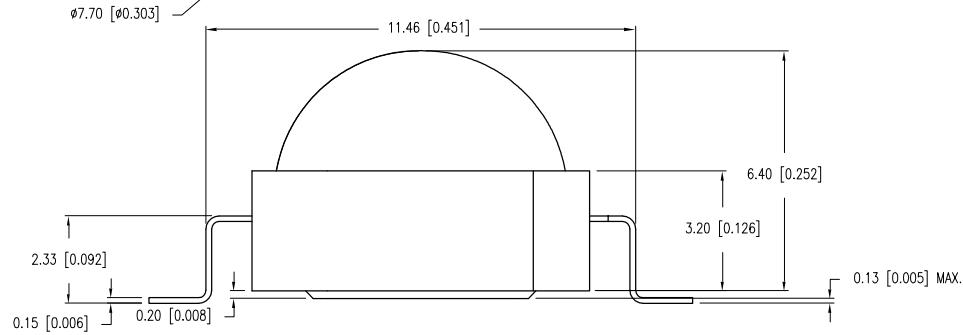
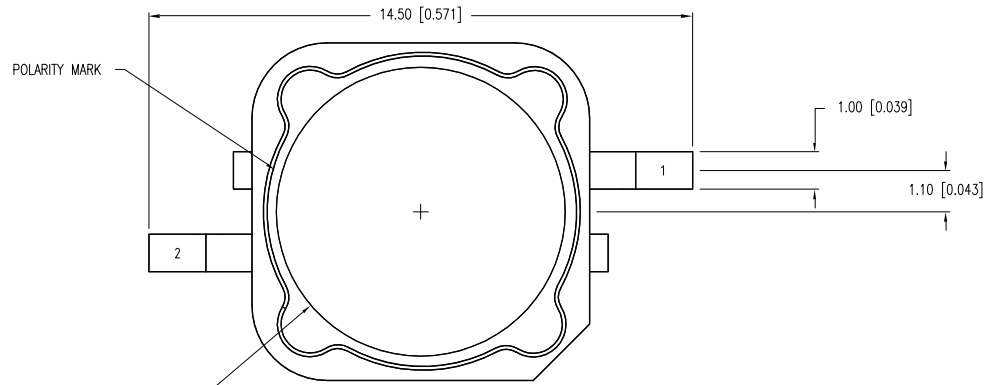


PART NUMBER	SML-LXL99UWC-TR/5	REV.	
DATE	E.C.N. NUMBER AND REVISION COMMENTS	REV.	
06.15.10	E.C.N. #: 11648 & REDRAWN	A	



CAUTION: STATIC SENSITIVE DEVICE
FOLLOW PROPER E.S.D. HANDLING PROCEDURES
WHEN WORKING WITH THIS PART.

ELECTRO-OPTICAL CHARACTERISTICS $T_A=25^{\circ}\text{C}$ $I_f=1200\text{mA}$

PARAMETER	MIN	TYP	MAX	UNITS	TEST COND
PEAK WAVELENGTH		4.5	5.1	nm	
FORWARD VOLTAGE				V_f	$I_f = 1200\text{mA}$
REVERSE VOLTAGE	5.0			V_r	$I_f = 100\mu\text{A}$
AXIAL INTENSITY	140		240	lm	$I_f = 1200\text{mA}$
COLOR TEMP	5310	6000	7040	K	
VIEWING ANGLE		100		$2x$ theta	
EMITTED COLOR:	WHITE				
EPOXY LENS FINISH:	WATER CLEAR				

LIMITS OF SAFE OPERATION AT 25°C

PARAMETER	MAX	UNITS
PEAK FORWARD CURRENT*	1500	mA
STEADY CURRENT	1200	mA
LED JUNCTION TEMPERATURE	110	°C
DERATE FROM 25°C	- 1.2	mW/°C
OPERATING, STORAGE TEMP.	-40 TO +100	°C
IRON SOLDERING	350	°C
SOLDERING TIME	3	SEC

* $T < 10\mu\text{s}$

NOTES:
1. NOT REFLOW SOLDERING COMPATIBLE.

