

### FEATURES

- 10-Year Minimum Data Retention in the Absence of External Power
- Data is Automatically Protected During a Power Loss
- Separate Upper Byte and Lower Byte Chip Select Inputs
- Unlimited Write Cycles
- Low-Power CMOS
- Read and Write Access Times as Fast as 100ns
- Lithium Energy Source is Electrically Disconnected to Retain Freshness Until Power is Applied for the First Time
- Optional Industrial Temperature Range of -40°C to +85°C, Designated IND

### PIN ASSIGNMENT

|                  |    |    |                 |
|------------------|----|----|-----------------|
| $\overline{CEU}$ | 1  | 40 | $V_{CC}$        |
| $\overline{CEL}$ | 2  | 39 | $\overline{WE}$ |
| DQ15             | 3  | 38 | A16             |
| DQ14             | 4  | 37 | A15             |
| DQ13             | 5  | 36 | A14             |
| DQ12             | 6  | 35 | A13             |
| DQ11             | 7  | 34 | A12             |
| DQ10             | 8  | 33 | A11             |
| DQ9              | 9  | 32 | A10             |
| DQ8              | 10 | 31 | A9              |
| GND              | 11 | 30 | GND             |
| DQ7              | 12 | 29 | A8              |
| DQ6              | 13 | 28 | A7              |
| DQ5              | 14 | 27 | A6              |
| DQ4              | 15 | 26 | A5              |
| DQ3              | 16 | 25 | A4              |
| DQ2              | 17 | 24 | A3              |
| DQ1              | 18 | 23 | A2              |
| DQ0              | 19 | 22 | A1              |
| $\overline{OE}$  | 20 | 21 | A0              |

40-Pin Encapsulated Package  
740mil Extended

### PIN DESCRIPTION

|                  |                          |
|------------------|--------------------------|
| A0 - A16         | - Address Inputs         |
| DQ0 - DQ15       | - Data In/Data Out       |
| $\overline{CEU}$ | - Chip Enable Upper Byte |
| $\overline{CEL}$ | - Chip Enable Lower Byte |
| $\overline{WE}$  | - Write Enable           |
| $\overline{OE}$  | - Output Enable          |
| $V_{CC}$         | - Power (+3.3V)          |
| GND              | - Ground                 |

### DESCRIPTION

The DS1258W 3.3V 128k x 16 Nonvolatile SRAM is a 2,097,152-bit, fully static, nonvolatile (NV) SRAM, organized as 131,072 words by 16 bits. Each NV SRAM has a self-contained lithium energy source and control circuitry, which constantly monitors  $V_{CC}$  for an out-of-tolerance condition. When such a condition occurs, the lithium energy source is automatically switched on and write protection is unconditionally enabled to prevent data corruption. DIP-package DS1258W devices can be used in place of solutions which build nonvolatile 128k x 16 memory by utilizing a variety of discrete components. There is no limit on the number of write cycles that can be executed and no additional support circuitry is required for microprocessor interfacing.

## READ MODE

The DS1258W executes a read cycle whenever  $\overline{WE}$  (Write Enable) is inactive (high) and either/both of  $\overline{CEU}$  or  $\overline{CEL}$  (Chip Enables) are active (low) and  $\overline{OE}$  (Output Enable) is active (low). The unique address specified by the 17 address inputs (A0-A16) defines which of the 131,072 words of data is accessed. The status of  $\overline{CEU}$  and  $\overline{CEL}$  determines whether all or part of the addressed word is accessed. If  $\overline{CEU}$  is active with  $\overline{CEL}$  inactive, then only the upper byte of the addressed word is accessed. If  $\overline{CEU}$  is inactive with  $\overline{CEL}$  active, then only the lower byte of the addressed word is accessed. If both the  $\overline{CEU}$  and  $\overline{CEL}$  inputs are active (low), then the entire 16-bit word is accessed. Valid data will be available to the 16 data output drivers within  $t_{ACC}$  (Access Time) after the last address input signal is stable, providing that  $\overline{CEU}$ ,  $\overline{CEL}$  and  $\overline{OE}$  access times are also satisfied. If  $\overline{CEU}$ ,  $\overline{CEL}$ , and  $\overline{OE}$  access times are not satisfied, then data access must be measured from the later-occurring signal, and the limiting parameter is either  $t_{CO}$  for  $\overline{CEU}$ ,  $\overline{CEL}$ , or  $t_{OE}$  for  $\overline{OE}$  rather than address access.

## WRITE MODE

The DS1258W executes a write cycle whenever  $\overline{WE}$  and either/both of  $\overline{CEU}$  or  $\overline{CEL}$  are active (low) after address inputs are stable. The unique address specified by the 17 address inputs (A0-A16) defines which of the 131,072 words of data is accessed. The status of  $\overline{CEU}$  and  $\overline{CEL}$  determines whether all or part of the addressed word is accessed. If  $\overline{CEU}$  is active with  $\overline{CEL}$  inactive, then only the upper byte of the addressed word is accessed. If  $\overline{CEU}$  is inactive with  $\overline{CEL}$  active, then only the lower byte of the addressed word is accessed. If both the  $\overline{CEU}$  and  $\overline{CEL}$  inputs are active (low), then the entire 16-bit word is accessed. The write cycle is terminated by the earlier rising edge of  $\overline{CEU}$  and/or  $\overline{CEL}$ , or  $\overline{WE}$ . All address inputs must be kept valid throughout the write cycle.  $\overline{WE}$  must return to the high state for a minimum recovery time ( $t_{WR}$ ) before another cycle can be initiated. The  $\overline{OE}$  control signal should be kept inactive (high) during write cycles to avoid bus contention. However, if the output drivers are enabled ( $\overline{CEU}$  and/or  $\overline{CEL}$ , and  $\overline{OE}$  active) then  $\overline{WE}$  will disable the outputs in  $t_{ODW}$  from its falling edge.

**READ/WRITE FUNCTION Table 1**

| $\overline{OE}$ | $\overline{WE}$ | $\overline{CEL}$ | $\overline{CEU}$ | $V_{CC}$<br>CURRENT | DQ0-DQ7 | DQ8-DQ15 | CYCLE<br>PERFORMED |
|-----------------|-----------------|------------------|------------------|---------------------|---------|----------|--------------------|
| H               | H               | X                | X                | $I_{CCO}$           | High-Z  | High-Z   | Output Disabled    |
| L               | H               | L                | L                | $I_{CCO}$           | Output  | Output   | Read Cycle         |
| L               | H               | L                | H                |                     | Output  | High-Z   |                    |
| L               | H               | H                | L                |                     | High-Z  | Output   |                    |
| X               | L               | L                | L                | $I_{CCO}$           | Input   | Input    | Write Cycle        |
| X               | L               | L                | H                |                     | Input   | High-Z   |                    |
| X               | L               | H                | L                |                     | High-Z  | Input    |                    |
| X               | X               | H                | H                | $I_{CCS}$           | High-Z  | High-Z   | Output Disabled    |

## DATA RETENTION MODE

The DS1258W provides full functional capability for  $V_{CC}$  greater than 3.0V, and write-protects by 2.8V. Data is maintained in the absence of  $V_{CC}$  without any additional support circuitry. The nonvolatile static RAMs constantly monitor  $V_{CC}$ . Should the supply voltage decay, the NV SRAMs automatically write-protect themselves, all inputs become “don’t care,” and all outputs become high impedance. As  $V_{CC}$  falls below approximately 2.5V, a power-switching circuit connects the lithium energy source to RAM to retain data. During power-up, when  $V_{CC}$  rises above approximately 2.5V, the power switching circuit

---

connects external  $V_{CC}$  to RAM and disconnects the lithium energy source. Normal RAM operation can resume after  $V_{CC}$  exceeds 3.0V.

### **FRESHNESS SEAL**

Each DS1258W device is shipped from Dallas Semiconductor with its lithium energy source disconnected, guaranteeing full energy capacity. When  $V_{CC}$  is first applied at a level greater than 3.0V, the lithium energy source is enabled for battery backup operation.

**ABSOLUTE MAXIMUM RATINGS\***

|                                       |   |
|---------------------------------------|---|
| Voltage on Any Pin Relative to Ground | -0.3V to +4.6V                                      |
| Operating Temperature Range           | 0°C to 70°C, -40°C to +85°C for Industrial Parts    |
| Storage Temperature Range             | -40°C to +70°C, -40°C to +85°C for Industrial Parts |
| Soldering Temperature                 | See IPC/JEDEC J-STD-020A Specification              |

\* This is a stress rating only and functional operation of the device at these or any other conditions above those indicated in the operation sections of this specification is not implied. Exposure to absolute maximum rating conditions for extended periods of time may affect reliability.

**RECOMMENDED DC OPERATING CONDITIONS** ( $t_A$ : See Note 10)

| PARAMETER            | SYMBOL   | MIN | TYP | MAX      | UNITS | NOTES |
|----------------------|----------|-----|-----|----------|-------|-------|
| Power Supply Voltage | $V_{CC}$ | 3.0 | 3.3 | 3.6      | V     |       |
| Logic 1              | $V_{IH}$ | 2.2 |     | $V_{CC}$ | V     |       |
| Logic 0              | $V_{IL}$ | 0.0 |     | 0.4      | V     |       |

**DC ELECTRICAL CHARACTERISTICS** ( $t_A$ : See Note 10) ( $V_{CC} = 3.3V \pm 0.3V$ )

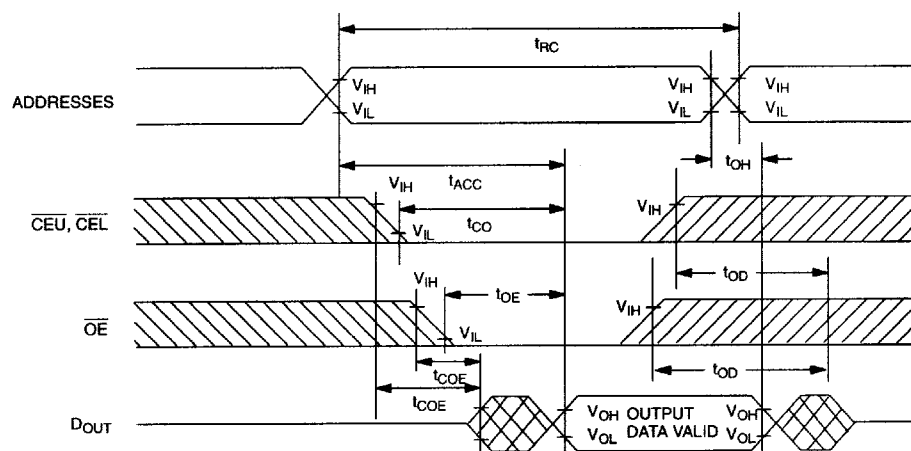
| PARAMETER  | SYMBOL     | MIN  | TYP | MAX  | UNITS   | NOTES |
|--|------------|------|-----|------|---------|-------|
| Input Leakage Current  | $I_{IL}$   | -2.0 |     | +2.0 | $\mu A$ |       |
| I/O Leakage Current $\overline{CE} \geq V_{IH} \leq V_{CC}$      | $I_{IO}$   | -1.0 |     | +1.0 | $\mu A$ |       |
| Output Current @ 2.2V  | $I_{OH}$   | -1.0 |     |      | mA      |       |
| Output Current @ 0.4V  | $I_{OL}$   | 2.0  |     |      | mA      |       |
| Standby Current $\overline{CEU}, \overline{CEL} = 2.2V$          | $I_{CCS1}$ |      | 100 | 450  | $\mu A$ |       |
| Standby Current $\overline{CEU}, \overline{CEL} = V_{CC} - 0.2V$ | $I_{CCS2}$ |      | 60  | 250  | $\mu A$ |       |
| Operating Current  | $I_{CCO1}$ |      |     | 100  | mA      |       |
| Write Protection Voltage   | $V_{TP}$   | 2.8  | 2.9 | 3.0  | V       |       |

**CAPACITANCE** ( $t_A = +25^\circ C$ )

| PARAMETER                | SYMBOL    | MIN | TYP | MAX | UNITS | NOTES |
|--------------------------|-----------|-----|-----|-----|-------|-------|
| Input Capacitance        | $C_{IN}$  |     | 20  | 25  | pF    |       |
| Input/Output Capacitance | $C_{I/O}$ |     | 5   | 10  | pF    |       |

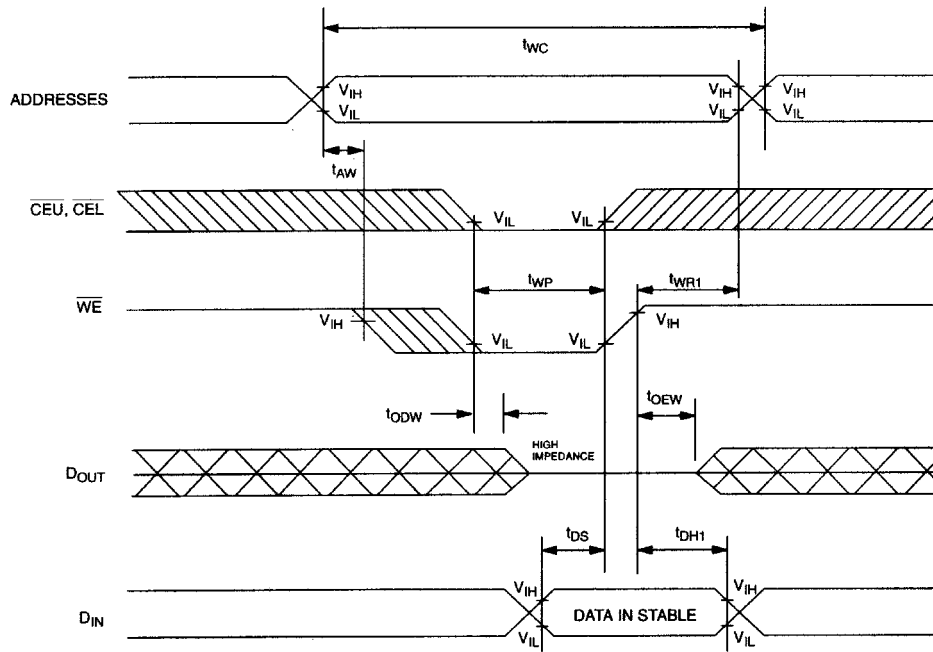
**DC ELECTRICAL CHARACTERISTICS** ( $t_A$ : See Note 10) ( $V_{CC} = 3.3V \pm 0.3V$ )

| PARAMETER  | SYMBOL    | DS1258W-100 |     | DS1258W-150 |     | UNITS | NOTES |
|--|-----------|-------------|-----|-------------|-----|-------|-------|
|  |           | MIN         | MAX | MIN         | MAX |       |       |
| Read Cycle Time                                    | $t_{RC}$  | 100         |     | 150         |     | ns    |       |
| Access Time  | $t_{ACC}$ |             | 100 |             | 150 | ns    |       |
| $\overline{OE}$ to Output Valid                    | $t_{OE}$  |             | 50  |             | 70  | ns    |       |
| $\overline{CE}$ to Output Valid                    | $t_{CO}$  |             | 100 |             | 150 | ns    |       |
| $\overline{OE}$ or $\overline{CE}$ to Output Valid | $t_{COE}$ | 5           |     | 5           |     | ns    | 5     |
| Output High-Z from Deselection                     | $t_{OD}$  |             | 35  |             | 35  | ns    | 5     |
| Output Hold from Address Change                    | $t_{OH}$  | 5           |     | 5           |     | ns    |       |
| Write Cycle Time                                   | $t_{WC}$  | 100         |     | 150         |     | ns    |       |
| Write Pulse Width                                  | $t_{WP}$  | 75          |     | 100         |     | ns    | 3     |
| Address Setup Time                                 | $t_{AW}$  | 0           |     | 0           |     | ns    |       |
| Write Recovery Time                                | $t_{WR1}$ | 5           |     | 5           |     | ns    | 12    |
|  | $t_{WR2}$ | 20          |     | 20          |     | ns    | 13    |
| Output High Z from $\overline{WE}$                 | $t_{ODW}$ |             | 35  |             | 35  | ns    | 5     |
| Output Active from $\overline{WE}$                 | $t_{OEW}$ | 5           |     | 5           |     | ns    | 5     |
| Data Setup Time                                    | $t_{DS}$  | 40          |     | 60          |     | ns    | 4     |
| Data Hold Time                                     | $t_{DH1}$ | 0           |     | 0           |     | ns    | 12    |
|  | $t_{DH2}$ | 20          |     | 20          |     | ns    | 13    |

**READ CYCLE**

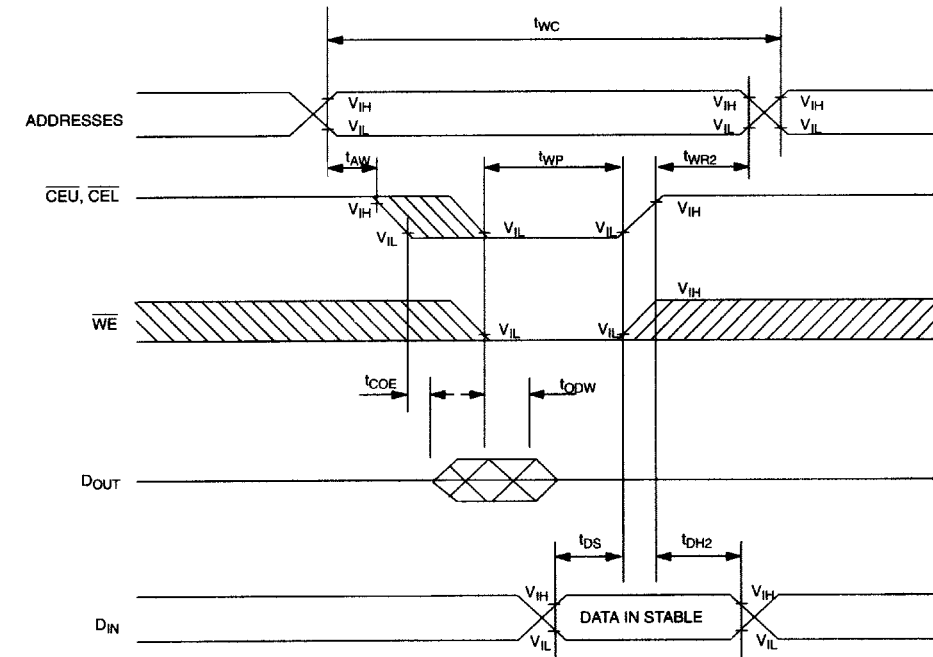
SEE NOTE 1

## WRITE CYCLE 1



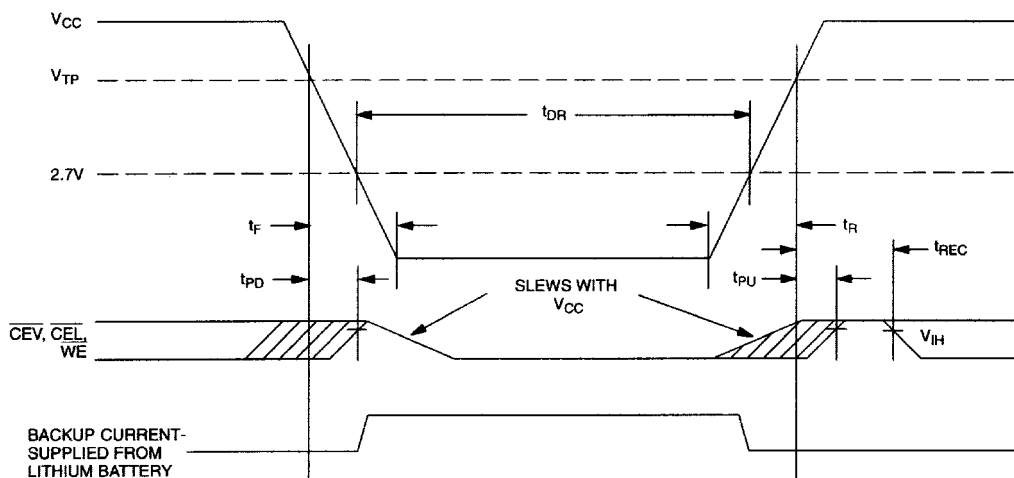
SEE NOTE 2, 3, 4, 6, 7, 8 AND 12

## WRITE CYCLE 2



SEE NOTES 2, 3, 4, 6, 7 AND 13

## POWER-DOWN/POWER-UP CONDITION



## POWER-DOWN/POWER-UP TIMING

( $t_A$ : See Note 10)

| PARAMETER  | SYMBOL    | MIN | TYP | MAX | UNITS   | NOTES |
|--|-----------|-----|-----|-----|---------|-------|
| $V_{CC}$ Fail Detect to $\overline{CE}$ and $\overline{WE}$ Inactive | $t_{PD}$  |     |     | 1.5 | $\mu s$ | 11    |
| $V_{CC}$ slew from $V_{TP}$ to 0V                                    | $t_F$     | 150 |     |     | $\mu s$ |       |
| $V_{CC}$ slew from 0V to $V_{TP}$                                    | $t_R$     | 150 |     |     | $\mu s$ |       |
| $V_{CC}$ Valid to $\overline{CE}$ and $\overline{WE}$ Inactive       | $t_{PU}$  |     |     | 2   | ms      |       |
| $V_{CC}$ Valid to End of Write Protection                            | $t_{REC}$ |     |     | 125 | ms      |       |

( $t_A = +25^\circ C$ )

| PARAMETER                    | SYMBOL   | MIN | TYP | MAX | UNITS | NOTES |
|------------------------------|----------|-----|-----|-----|-------|-------|
| Expected Data Retention Time | $t_{DR}$ | 10  |     |     | years | 9     |

### WARNING:

Under no circumstance are negative undershoots, of any amplitude, allowed when device is in battery backup mode.

**NOTES:**

- 1)  $\overline{WE}$  is high for a Read Cycle.
- 2)  $\overline{OE} = V_{IH}$  or  $V_{IL}$ . If  $\overline{OE} = V_{IH}$  during write cycle, the output buffers remain in a high impedance state.
- 3)  $t_{WP}$  is specified as the logical AND of  $\overline{CEU}$  or  $\overline{CEL}$  and  $\overline{WE}$ .  $t_{WP}$  is measured from the latter of  $\overline{CEU}$ ,  $\overline{CEL}$  or  $\overline{WE}$  going low to the earlier of  $\overline{CEU}$ ,  $\overline{CEL}$  or  $\overline{WE}$  going high.
- 4)  $t_{DS}$  is measured from the earlier of  $\overline{CEU}$  or  $\overline{CEL}$  or  $\overline{WE}$  going high.
- 5) These parameters are sampled with a 5pF load and are not 100% tested.
- 6) If the  $\overline{CEU}$  or  $\overline{CEL}$  low transition occurs simultaneously with or later than the  $\overline{WE}$  low transition in the output buffers remain in a high impedance state during this period.
- 7) If the  $\overline{CEU}$  or  $\overline{CEL}$  high transition occurs prior to or simultaneously with the  $\overline{WE}$  high transition, the output buffers remain in high impedance state during this period.
- 8) If  $\overline{WE}$  is low or the  $\overline{WE}$  low transition occurs prior to or simultaneously with the  $\overline{CEU}$  or  $\overline{CEL}$  low transition, the output buffers remain in a high impedance state during this period.
- 9) Each DS1258W has a built-in switch that disconnects the lithium source until  $V_{CC}$  is first applied by the user. The expected  $t_{DR}$  is defined as accumulative time in the absence of  $V_{CC}$  starting from the time power is first applied by the user.
- 10) All AC and DC electrical characteristics are valid over the full operating temperature range. For commercial products, this range is 0 to +70°C. For industrial products, this range is -40°C to +85°C.
- 11) In a power-down condition the voltage on any pin may not exceed the voltage on  $V_{CC}$ .
- 12)  $t_{WR1}$ ,  $t_{DH1}$  are measured from  $\overline{WE}$  going high.
- 13)  $t_{WR2}$ ,  $t_{DH2}$  are measured from  $\overline{CEU}$  OR  $\overline{CEL}$  going high.
- 14) DS1258W DIP modules are recognized by Underwriters Laboratory (U.L.®) under file E99151.

**DC TEST CONDITIONS**

Outputs Open

Cycle = 200ns

All voltages are referenced to ground

**AC TEST CONDITIONS**

Output Load: 100pF + 1TTL Gate

Input Pulse Levels:

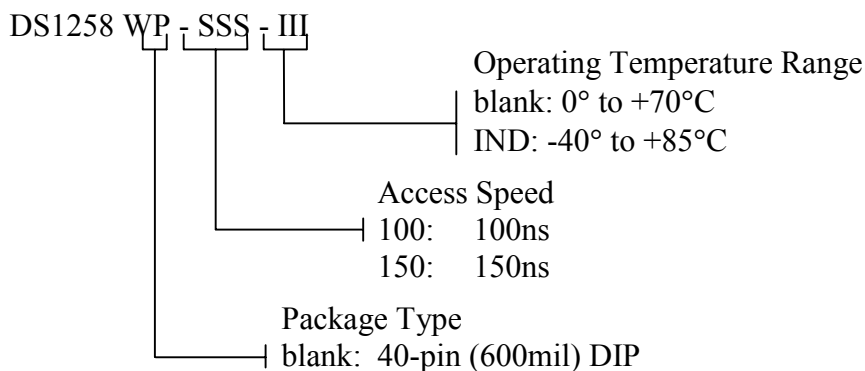
0.0V to 2.7V

Timing Measurement Reference Levels

Input: 1.5V

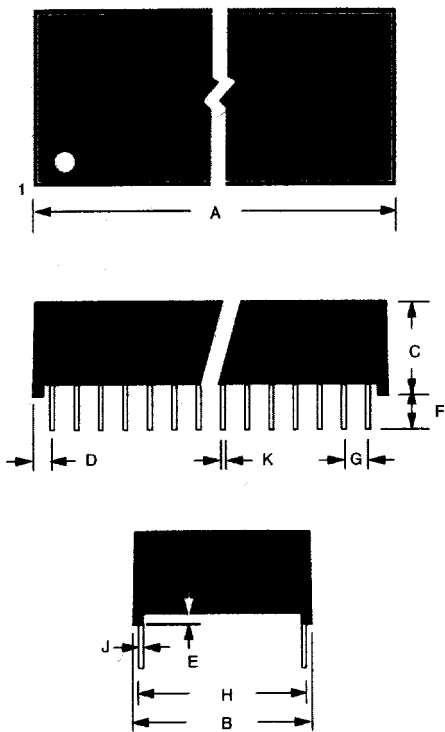
Output: 1.5V

Input pulse Rise and Fall Times: 5ns

**ORDERING INFORMATION**



## DS1258W NONVOLATILE SRAM 40-PIN, 740-MIL EXTENDED MODULE



| PKG         | 40-PIN         |                |
|-------------|----------------|----------------|
| DIM         | MIN            | MAX            |
| A IN.<br>MM | 2.080<br>52.83 | 2.100<br>53.34 |
| B IN.<br>MM | 0.715<br>18.16 | 0.740<br>18.80 |
| C IN.<br>MM | 0.345<br>8.76  | 0.365<br>9.27  |
| D IN.<br>MM | 0.085<br>2.16  | 0.115<br>2.92  |
| E IN.<br>MM | 0.015<br>0.38  | 0.030<br>0.76  |
| F IN.<br>MM | 0.120<br>3.05  | 0.160<br>4.06  |
| G IN.<br>MM | 0.090<br>2.29  | 0.110<br>2.79  |
| H IN.<br>MM | 0.590<br>14.99 | 0.630<br>16.00 |
| J IN.<br>MM | 0.008<br>0.20  | 0.012<br>0.30  |
| K IN.<br>MM | 0.015<br>0.43  | 0.025<br>0.58  |