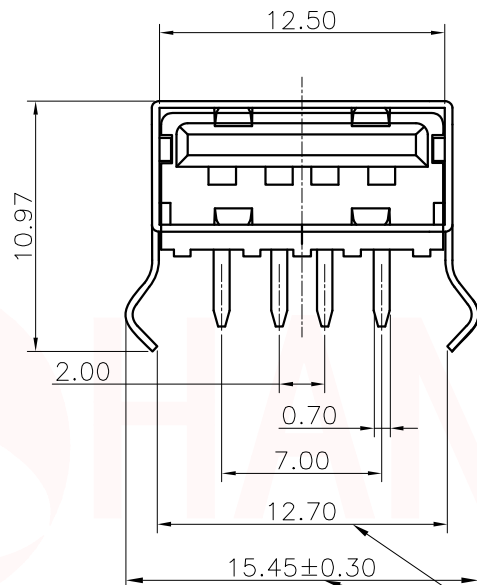
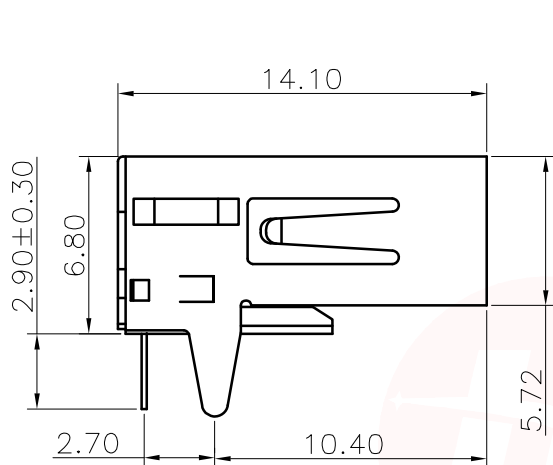




REV.	ECN NO OR DESCRIPTION	REVISED	DATE



此尺寸以能顺利下板为标准

NOTES:

1. MATERIAL:

- 1.1 Housing: thermoplastic plastics
- 1.2 terminals: Copper Alloy  
Gold plated in contact area:  
Tin plated in termination  
Nickel Plated overall
- 1.3 Shell: Steel & Copper Alloy  
Nickel Plated overall

2. ELECTRICAL CHARACTERISTICS:

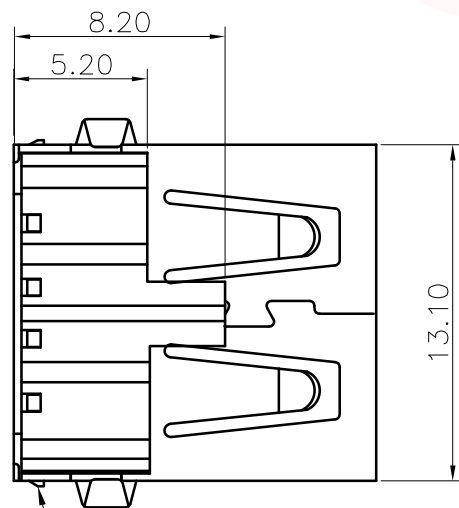
- 2.1 Rating Current : 1.5 Ampere
- 2.2 Rating Voltage : 30 V Max
- 2.3 Contact Resistance: 30 Milli ohms
- 2.4 Insulation Resistance: 1000 Mega ohms Min.

3. MECHANICAL CHARACTERISTICS:

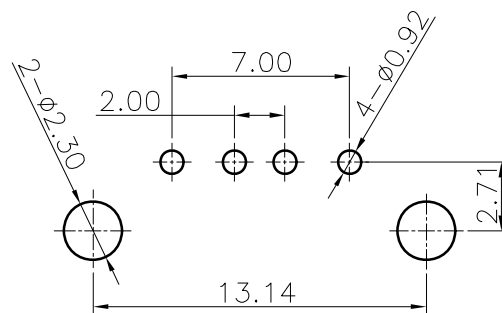
- 3.1 Connector Mating force: 35N MAX (3.57Kgf)
- 3.2 Connector Unmating force: 10N min (1.02Kgf)
- 3.3 Durability: 1500 Cycles.

4. ENVIRONMENT CHARACTERISTICS:

- 4.1 Operating temperature: -0°C to +50°C
- 4.2 Storage temperature: -20°C to +60°C



外壳后盖内扣卡点



PCB. LAYOUT

TOL: ± 0.05

UNLESS OTHERWISE SPECIFIED TOLERANCES		东莞市汉博电子科技有限公司 DONGGUAN HANBO TECHNOLOGY CO., LTD			
DECIMALS:	ANGLES:	TITLE	USB A/F 90° DIP (加盖弯脚)		
X : ±0.35	X : ±2°	DWN	xiong	PART NO. USB-U212-BWS	
X.X : ±0.25	X.X : ±1°	CHKD	lee	SCALE: 1:1	UNIT: mm
X.XX : ±0.15		APVD	wang	SIZE: A4	SHEET: 10F 1
		REV: A4			
CUSTOMER COPY					