

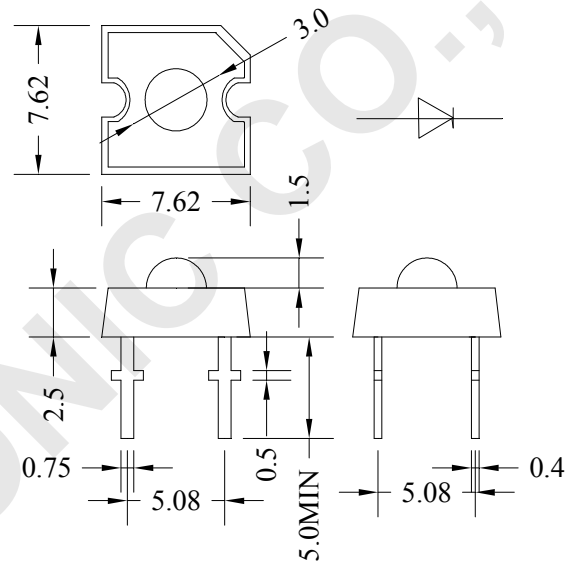
Features

- ※ High intensity
- ※ Reliable and rugged
- ※ Low current requirement
- ※ IC compatible

Description

The White Lamps are made
With InGaN/Sapphire chip and Water
clear epoxy resin

Package Dimensions



Part NO.	LED chip		Lens Color
	Material	Emitting Color	
WEJS31WC-C83	InGaN/Sapphire	White	Water clear

Notes:

1. All dimensions in mm tolerance is $\pm 0.2\text{mm}$ unless otherwise noted.
2. An epoxy meniscus may extend about 1.5mm down the lead.
3. Burr around bottom of epoxy may be 0.5mm max.

PART NO.: WEJS31WC-C83

Page:2/4

3.0mm HIGH POWER WHITE LED LAMP

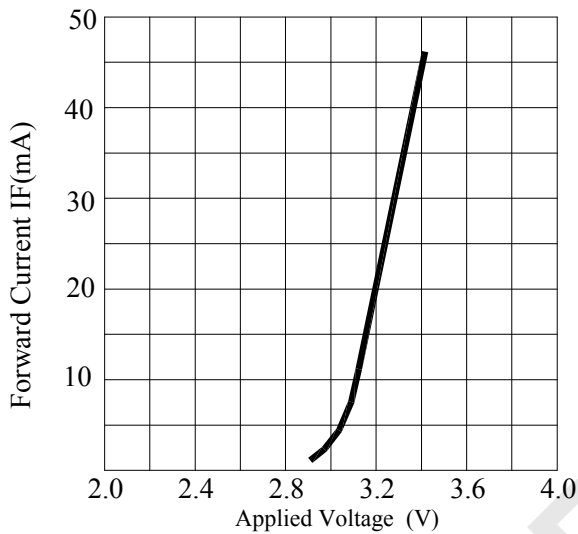
Absolute Maximum Ratings(Ta=25°C)

Parameter	Symbol	Rating	Unit
Power Dissipation	PD	120	mW
Forward Current (DC)	IF	30	mA
Peak Forward Current(Pulse width ≤0.1msec duty ≤1/10)	IFP	100	mA
Reverse Voltage	VR	5.0	V
Electro-Static-Discharge	ESD	200	V
Operation Temperature Range	Topr	-25to+85	°C
Storage Temperature Range	Tstg	-40to+100	°C
Lead Soldering Temperature(1.6mm from body) for 5 seconds		260	°C

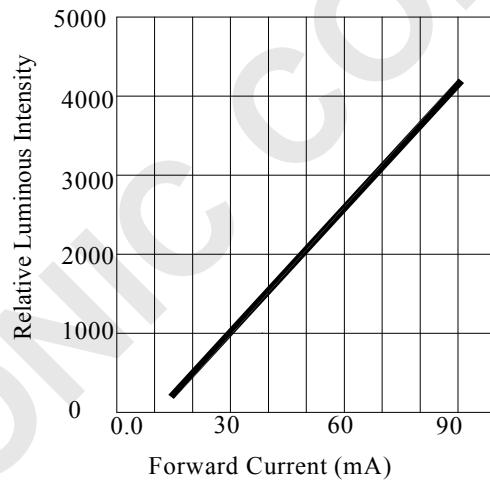
Typical Electrical and Optical Characteristics(Ta=25°C)

Parameter	Symbol	Condition	Min.	Typ.	Max.	Unit
Luminous Intensity	Iv	If=20mA	1800	3600		mcd
Forward Voltage	Vf	If=20mA		3.2	3.8	v
CIE Chromaticity Coordinates :X Axis	X	If=20mA		0.28		nm
CIE Chromaticity Coordinates :Y Axis	Y	If=20mA		0.29		nm
Reverse Current	Ir	Vr=5v			10	uA
Viewing Angle	2 θ 1/2	If=20mA		60		deg
Spectrum Line Half width	Δ λ	If=20mA		26		nm

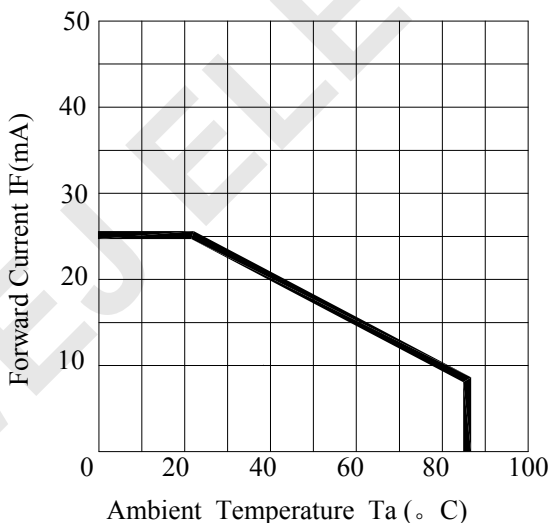
Typical Electrical / Optical Characteristics Curves



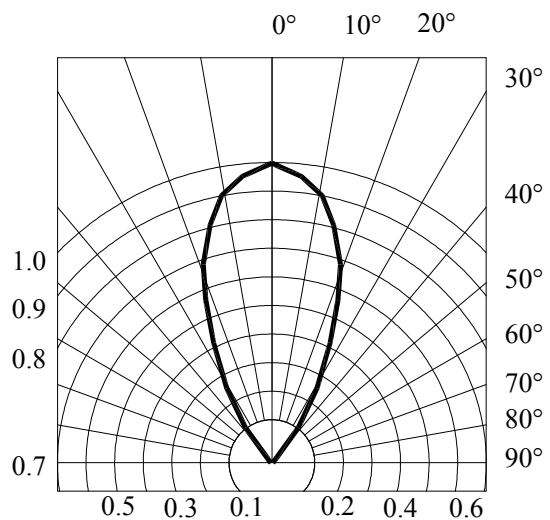
FORWARD CURRENT VS. APPLIED VOLTAGE



FORWARD CURRENT VS. LUMINOUS INTENSITY



AMBIENT TEMPERA TURE VS. FORWARD CURRENT



RADIATION DIAGRAM



SHENZHEN YONGERJIA ELECTRONIC CO.,LTD

Light Emitting Diode

PART NO.: WEJS31WC-C83

Page:4/4

3.0mm HIGH POWER WHITE LED LAMP

ENCASED TYPE

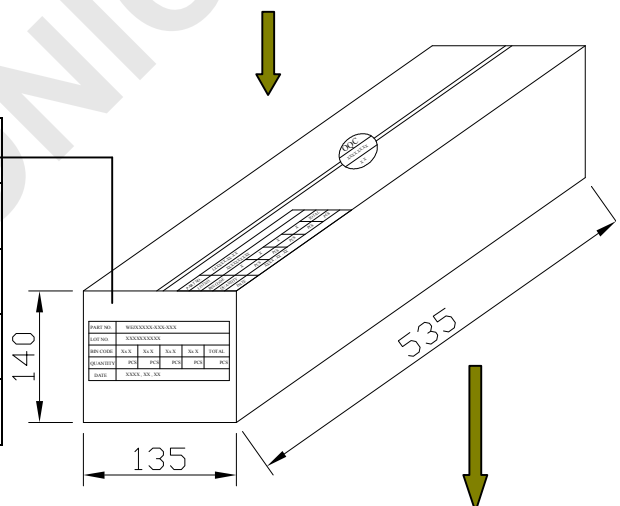
PLASTIC PACKAGE
QUANTITY : 200 PCS

YONG ER JIA ELECTRONIC CO.,LTD	
PART NO. : WEJS31WC-C83	
V f: ___ v	IV: ___ mcd
Wld: ___ nm	BIN: _____
Date: _____	QC: _____
Q'TY: ___ PCS	LOT NO: _____



INNER BOX
QUANTITY: 10 PACKETS
TOTAL:2,000 PCS

PART NO.	WEJS31WC-C83					
LOT NO.	XXXXXXXXXXXX					
BIN CODE	XX	XX	XX	XX	XX	TOTAL
QUANTITY	xxpcs	xxpcs	xxpcs	xxpcs	xxpcs	xxpcs
DATE	XXXX XX XX					



OUTER CARTON
QUANTITY: 4 BOX
TOTAL:8,000 PCS

C/T NO.	XX
PART NO.	WEJS31WC-C83
QUANTITY	Xxxxx pcs
N.W.	XX KGS
G.W	XX KGS
REMARK	

