

# POC-S196

## 19" Slim Point-of-Care Terminal with Intel® Core™ Duo Processor

**NEW**



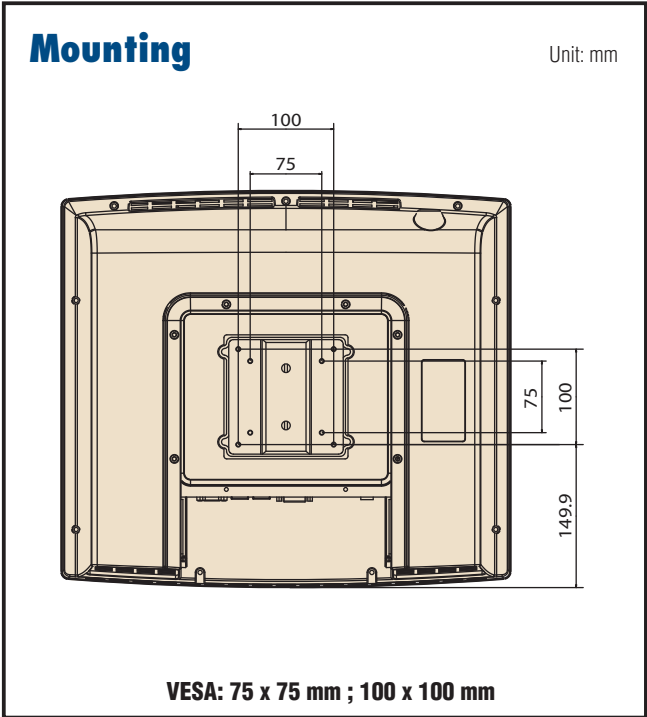
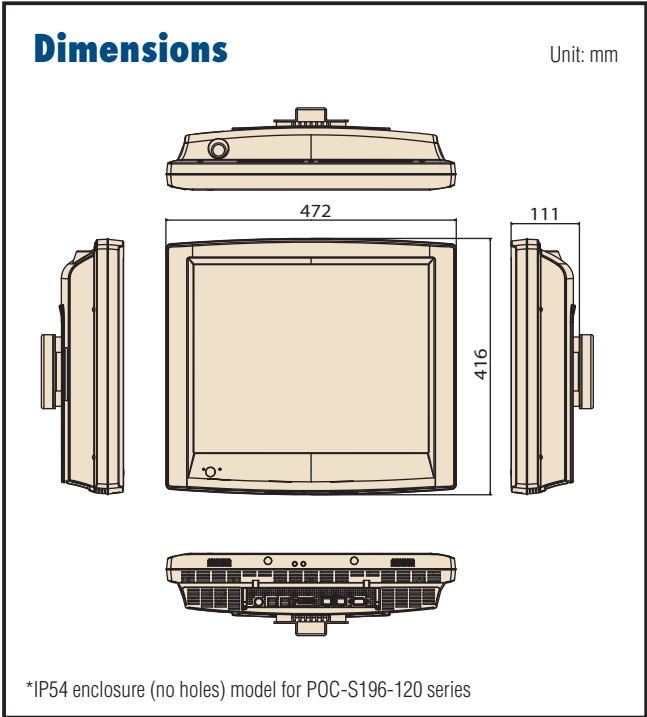
### Features

- 19" LCD display with 16.7 M colors
- Intel® Core™ Duo (low-power) processor
- Fanless design with low audible noise
- Isolated design provides unique electric leakage protection for COM ports and LAN ports
- IP54/IPX1 enclosure with additional IP65 dust-tight front panel
- UL60601-1/EN60601-1, CE & FCC Class B certified
- Optional 802.11a/b/g/n WLAN module and touchscreen

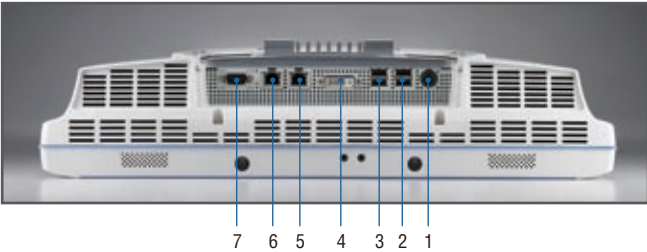
### Specifications

Computing System	Chipset	Intel 945GME GMCH/ICH7M
	CPU	Intel Core Duo processor 1.66 GHz/1.2 GHz
	Front Side Bus	667 MHz/533 MHz
	Memory	Supports up to 4 GB DDR2 533/667 Mhz SDRAM*
Graphics	Controller	Intel 945GME integrated
	VRAM	Dynamic Video Memory Technology (DVMT) 3.0 to dynamically allocate up to 224 MB of system memory for graphics usage.
Expansion Slot	Mini PCI	1 x Mini PCI slot, supports type IIIA Mini PCI
	Mini PCI-E	1 x Mini PCI-E slot
Storage	HDD	1 x 2.5" SATA device
Ethernet	Interface	2 x Gigabit Ethernet interfaces (RJ-45)
I/O Ports		1 x RS-232/422/485 (by jumper option, isolated) serial port; 4 x USB ports; 1 x DVI-I port
Speakers		2 x 1 W speakers; 1 x MIC-in and 1 x Line/Headphone Out
Display	Display Type	19" TFT LCD.
	Max. Resolution	1280 x 1024
	Max. Colors	16.7 M (RGB 8-bit data)
	Dot Size (mm)	0.294 x 0.294
	Viewing angle	178/178°
	Luminance	300 cd/m <sup>2</sup>
	Contrast Ratio	1300 : 1
	LCD MTBF	50,000 hours
Power Supply	Backlight Lifetime	50,000 hours
		Universal AC/DC adapter (Sinpro Model no. MPU100-107)
	Input Voltage	100 ~ 240 V <sub>AC</sub> , 47 ~ 63 Hz, 1.25 ~ 0.5 A
	Output Voltage	+18 V <sub>DC</sub> , 5.55 A max. (100 watts)
Optional Touchscreen	Type	Analog Resistive
	Light Transmission	75%
	Controller	RS-232 interface (use COM3)
	Durability	30 million touches
Environment	Temperature	0 ~ 40° C (Operating) for POC-S196-166 series 0 ~ 35° C (Operating) for POC-S196-120 series
	Humidity	10 ~ 95% @ 40° C (non-condensing)
	Shock Resistance	20 G peak acceleration (11 ms duration)
	Water/Dust Resistance	IPX1 water resistant rating for POC-S196 with 1.66G CPU IP54 enclosure for POC-S196 with 1.2G CPU
Physical Characteristics	Dimensions (W x H x D)	472 x 416 x 111 mm (18.58" x 16.38" x 4.37")
	Weight	10 kg (22.05 lb)

\* For memory-mapped I/O (MMIO) space reserved, 32-bit operating systems limit the total available memory to 3.12 GB to avoid potential driver compatibility issues.



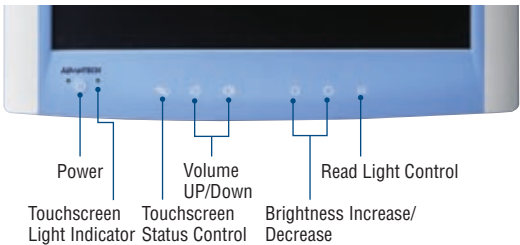
### I/O Drawing



- 1. 4-pin mini-DIN DC connector
- 2. USB 2.0 Ports x 2
- 3. USB 2.0 Ports x 2
- 4. DVI port
- 5. 10/100/1000 Mbps Ethernet interface (RJ-45)
- 6. 10/100/1000 Mbps Ethernet interface (RJ-45)
- 7. Isolated RS-232/422/485 COM port (By jumper setting)

\*IP54 enclosure (no holes) model for POC-S196-120 series

### Function keys



### Ordering Information

Part Number	CPU	Touch Panel	IP Rating	RAM
POC-S196-166-AE	1.66 GHz	-	IPX1	2 G
POC-S196-166-ATE	1.66 GHz	Res.TS	IPX1	2 G
POC-S196-120-AE	1.2 GHz	-	IP54	2 G
POC-S196-120-ATE	1.2 GHz	Res TS	IP54	2 G

### Packing List

Description	Quantity
AC 100W SPS MPU100-107 W/PFC 100-240	1
User manual for POC-S196 model	1
Advantech 2-year warranty card	1
Startup manual	1
CD-ROM for POC-S series Driver & Utility	1
China RoHS report	1
HDD Mounting Accessories	1

### Accessories

Part Number	Description
1702002600	Power Cable (USA) 1.83M
1702002605	Power Cable (Europe) 1.8M
*	802.11a/b/g/n wireless LAN mini-PCI module & external antenna

\* This accessory goes with the T Part Number. Please contact Advantech sales for more details.