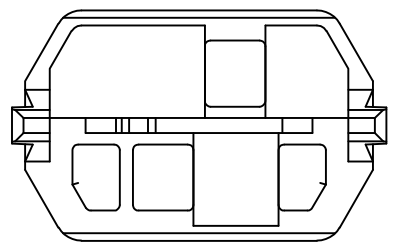
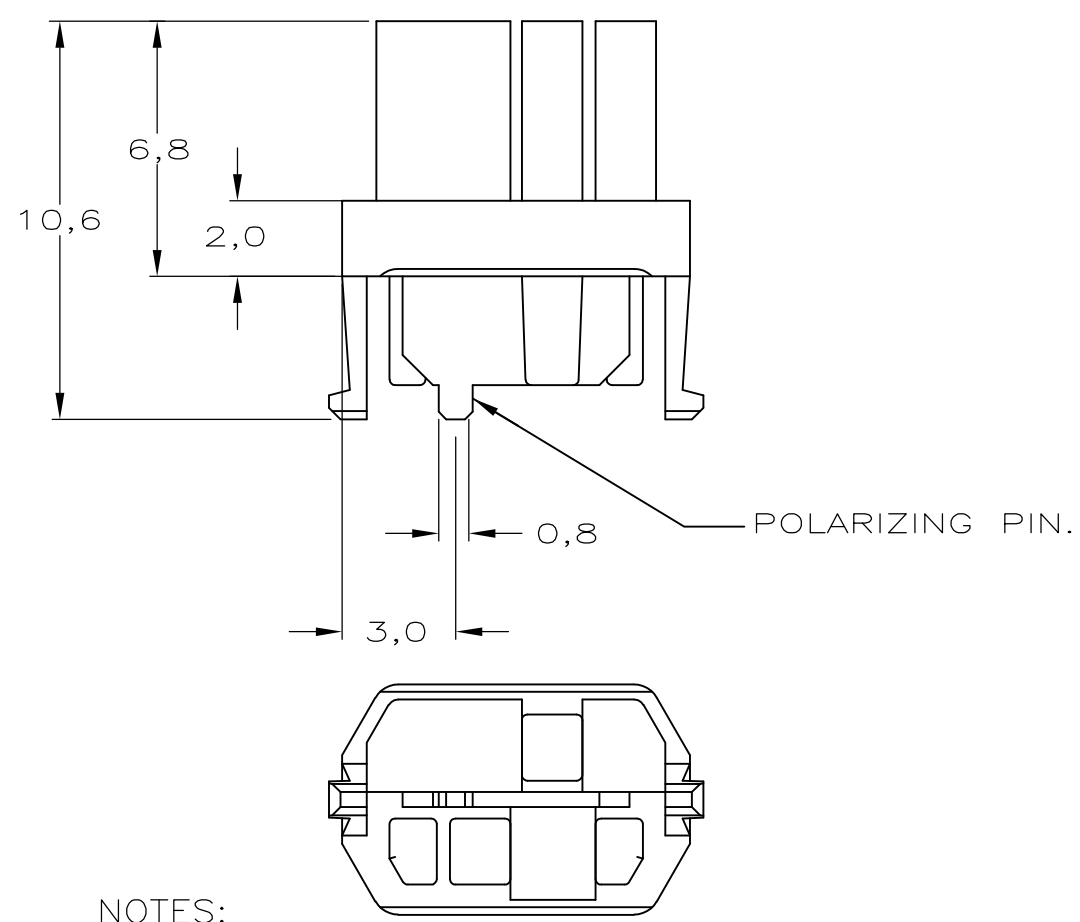
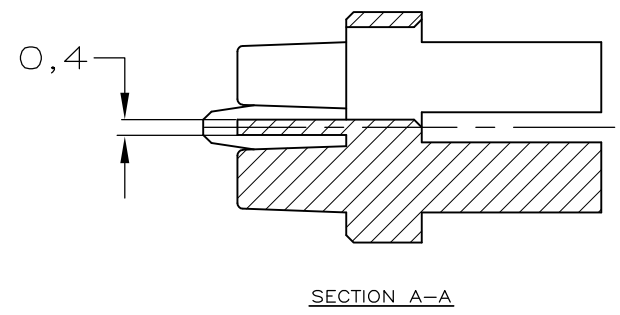
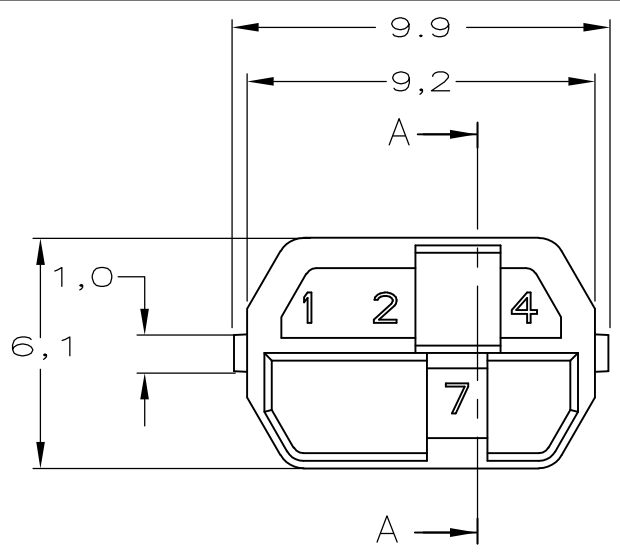


THIS DRAWING IS UNPUBLISHED. RELEASED FOR PUBLICATION  
 © COPYRIGHT - By - ALL RIGHTS RESERVED.

LOC	DIST	REVISIONS			
P	LTR	DESCRIPTION	DATE	DWN	APVD
-	-	D1	REVISED PER ECO-11-005030	11MAR11	RK HMR



Part Number	Colour	RAL NR.	ID. NUMBER	Part Number
6-100525-3	PASTEL ORANGE	2003	1247	6-100526-3
6-100525-1	STEEL BLUE	5011	1256	6-100526-1
5-100525-9	SLATE GREY	7015	1258	5-100526-9
5-100525-6	CADMIUM YELLOW	1021	1278	5-100526-6
5-100525-4	RESADA GREEN	6011	1346	5-100526-4
3-100525-2	BRILLIANT BLUE	5007	2348	3-100526-2
100525-9	STRAWBERRY RED	3018	3567	100526-9
100525-3	NUT BROWN	8011	4578	100526-3
MALE KEY	COLOUR	RAL NR.	ID. NUMBER	PARTNUMBER

NOTES:

- 1 DRAWING SHOWS CODING KEY 6-100526-3 WITH CODE NUMBER 1247 AS AN EXAMPLE. REINFORCED CODING KEYS ARE DESIGNED FOR THE 8 ROW CONNECTOR SYSTEM, BUT FIT THE 5 ROW CONNECTOR SYSTEM AS WELL.
- 2 DRAWING SHOWS CODING KEY 2-100526-4 WITH CODE NUMBER 2457 AS AN EXAMPLE.
- 3 MATERIAL: GLASSFILLED POLYAMIDE 6.6.; COLOUR: SEE TABLE.
- 4 EACH CODING KEY HAS FOUR BLOCKING PINS AND FOUR CAVITIES. THE NUMBERS ON TOP OF THE BLOCKING PINS FORM THE FOUR-FIGURE IDENTIFICATION NUMBER (ASCENDING).
- 5 PARTNUMBER MATCHING FEMALE CODING KEY, FOR REFERENCE ONLY.

THIS DRAWING IS A CONTROLLED DOCUMENT.

DIMENSIONS: mm	TOLERANCES UNLESS OTHERWISE SPECIFIED:
	0 PLC ± -
	1 PLC ± -
	2 PLC ± -
	3 PLC ± -
	4 PLC ± -
	ANGLES ± -
MATERIAL	FINISH
-	-

DWN RvHEUVEN 08-MAY-98	NAME Z-PACK 2mm HM FEMALE CODING KEYS
CHK D. TRUREN 08-MAY-98	
APVD F.v.KONINGSBRUGGE	
PRODUCT SPEC	
APPLICATION SPEC	RESTRICTED TO
WEIGHT	-
CUSTOMER DRAWING	



SIZE	CAGE CODE	DRAWING NO	RESTRICTED TO
A3	00779	C-100526	-
SCALE	SHEET	REV	
-	1 OF 2	D1	

THIS DRAWING IS UNPUBLISHED. RELEASED FOR PUBLICATION  
 © COPYRIGHT - By - ALL RIGHTS RESERVED.

LOC	DIST	REVISIONS					
		P	LTR	DESCRIPTION	DATE	DWN	APVD
-	-	-	-	SEE SHEET1	-	-	-



MALE KEY	COLOUR	RAL NR.	ID. NUMBER	PARTNUMBER
-	-	-	-	-
-	-	-	-	-
-	-	-	-	-
-	-	-	-	-
-	-	-	-	-
-	-	-	-	-
-	-	-	-	-
-	-	-	-	-
-	-	-	-	-
6-100525-9	OCHER YELLOW	1024	1235	6-100526-9
6-100525-4	RASPBERRY RED	3027	1246	6-100526-4
5-100525-3	OCEAN BLUE	5020	1347	5-100526-3
5-100525-2	EMERALD GREEN	6001	1348	5-100526-2
4-100525-9	YELLOW ORANGE	2000	1358	4-100526-9
4-100525-8	HEATHER VIOLET	4003	1367	4-100526-8
4-100525-4	COPPER BROWN	8004	1457	4-100526-4
4-100525-3	STONE GREY	7030	1458	4-100526-3
3-100525-7	PURPLE RED	3004	1578	3-100526-7
3-100525-5	SALMON PINK	3022	2345	3-100526-5
3-100525-4	RED LILAC	4001	2346	3-100526-4
2-100525-7	LIGHT IVORY	1015	2368	2-100526-7
2-100525-6	PASTEL GREEN	6019	2378	2-100526-6
2-100525-4	YELLOW GREEN	6018	2457	2-100526-4
2-100525-0	BLUE LILAC	4005	2478	2-100526-0
1-100525-8	PIGEON BLUE	5014	2568	1-100526-8
1-100525-4	OLIVE YELLOW	1020	3457	1-100526-4
1-100525-3	CEMENT GREY	7033	3458	1-100526-3
1-100525-2	LIGHT GREEN	6027	3467	1-100526-2
100525-8	PURE ORANGE	2004	3568	100526-8
100525-5	ULTRAMARINE BLUE	5002	4567	100526-5
100525-2	GREEN BROWN	8000	4678	100526-2

THIS DRAWING IS A CONTROLLED DOCUMENT.

DIMENSIONS: mm	TOLERANCES UNLESS OTHERWISE SPECIFIED:	DWN D. TRUREN 03-FEB-98	TE Connectivity Z-PACK 2mm HM FEMALE CODING KEYS
	0 PLC ± -	CHK D. TRUREN 03-FEB-98	
	1 PLC ± -	APVD F.v.KONINGSBRUGGE	
	2 PLC ± -	PRODUCT SPEC	
	3 PLC ± -	APPLICATION SPEC	NAME
	4 PLC ± -	WEIGHT -	SIZE CAGE CODE DRAWING NO RESTRICTED TO
MATERIAL -	FINISH -	CUSTOMER DRAWING	A3 00779 C-100526
		SCALE -	SHEET 2 OF 2 REV D1